

FURUNO

OPERATOR'S MANUAL

取扱説明書

SATELLITE COMPASS™

サテライトコンパス™

Model **SCX-21**

NMEA 0183 Specification
NMEA 0183 仕様

ECF

(Elemental Chlorine Free)

The paper used in this manual
is elemental chlorine free.

- ・ 機器の修理・使用方法等に関するお問い合わせは、お買い上げの販売店・代理店、最寄りの
当社支店・営業所あてへお願いします。

FURUNO ELECTRIC CO., LTD.
古野電気株式会社

・ FURUNO Authorized Distributor/Dealer お問い合わせは

本書の無断複写複製(コピー)は特定の
場合を除き、当社権利侵害になります。

Printed in Japan

A : DEC. 2019
C : JUN. 15, 2022

Pub. No. OMC-72870-C

(REFU) SCX-21



00019529412

IMPORTANT NOTICES

General

- This manual has been authored with simplified grammar, to meet the needs of international users.
- The operator of this equipment must read and follow the instructions in this manual. Wrong operation or maintenance can void the warranty or cause injury.
- Do not copy any part of this manual without written permission from FURUNO.
- If this manual is lost or worn, contact your dealer about replacement.
- The contents of this manual and the equipment specifications can change without notice.
- The example screens (or illustrations) shown in this manual can be different from the screens you see on your display. The screens you see depend on your system configuration and equipment settings.
- Save this manual for future reference.
- Any modification of the equipment (including software) by persons not authorized by FURUNO will cancel the warranty.
- The following concern acts as our importer in Europe, as defined in DECISION No 768/2008/EC.
 - Name: FURUNO EUROPE B.V.
 - Address: Siriusstraat 86, 5015 BT, Tilburg, The Netherlands
- The following concern acts as our importer in UK, as defined in SI 2016/1025 as amended SI 2019/470.
 - Name: FURUNO (UK) LTD.
 - Address: West Building Penner Road Havant Hampshire PO9 1QY, U.K.
- All brand, product names, trademarks, registered trademarks, and service marks belong to their respective holders.

How to discard this product

Discard this product according to local regulations for the disposal of industrial waste. For disposal in the USA, see the homepage of the Electronics Industries Alliance (<http://www.eiae.org/>) for the correct method of disposal.

How to discard a used battery

Some FURUNO products have a battery(ies). To see if your product has a battery, see the chapter on Maintenance. If a battery is used, tape the + and - terminals of the battery before disposal to prevent fire, heat generation caused by short circuit.

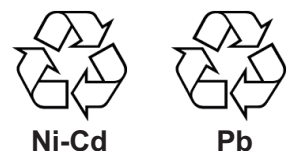
In the European Union

The crossed-out trash can symbol indicates that all types of batteries must not be discarded in standard trash, or at a trash site. Take the used batteries to a battery collection site according to your national legislation and the Batteries Directive 2006/66/EU.



In the USA

The Mobius loop symbol (three chasing arrows) indicates that Ni-Cd and lead-acid rechargeable batteries must be recycled. Take the used batteries to a battery collection site according to local laws.



In the other countries

There are no international standards for the battery recycle symbol. The number of symbols can increase when the other countries make their own recycle symbols in the future.



SAFETY INSTRUCTIONS

The operator and installer must read the applicable safety instructions before attempting to operate or install the equipment. Failure to comply with these safety instructions may cause injury, loss of life or damage to the equipment.

DANGER	Indicates a potentially hazardous situation which, if not avoided, will result in death or serious injury.
WARNING	Indicates a potentially hazardous situation which, if not avoided, could result in death or serious injury.
CAUTION	Indicates a potentially hazardous situation which, if not avoided, can result in minor or moderate injury.






Warning, Caution	Prohibitive Action	Mandatory Action
------------------	--------------------	------------------

Safety instructions for the installer

WARNING
Turn off the power at the mains before beginning the installation. Fire, electrical shock or serious injury can result if the power is left on or is applied while the equipment is being installed.
ELECTRICAL SHOCK HAZARD Do not open the equipment unless totally familiar with electrical circuits and service manual. Only qualified personnel should work inside the equipment.
Use the specified power cable. Fire can result if an incorrect cable is used.
Do not disassemble or modify the equipment. Fire, electrical shock or serious injury can occur.

CAUTION		
	Observe the following safe compass distances to prevent interference to a magnetic compass:	
	Standard compass	Steering compass
Satellite Compass SCX-21	0.30 m	0.30 m

Safety instructions for the operator

 WARNING	
	<p>ELECTRICAL SHOCK HAZARD Do not open the equipment unless totally familiar with electrical circuits and service manual.</p> <p>Only qualified personnel should work inside the equipment.</p>
	<p>Do not disassemble or modify the equipment.</p> <p>Fire, electrical shock or serious injury can occur.</p>
	<p>Turn off the power immediately if water leaks into the equipment or smoke or fire is coming from the equipment.</p> <p>Failure to turn off the equipment can cause fire or electrical shock. Contact a FURUNO agent for service.</p>
	<p>Use the correct fuse.</p> <p>A wrong fuse can cause fire or serious damage to the equipment.</p>


CAUTION	
	<p>No single navigation aid (including this unit) should ever be relied upon as the exclusive means for navigating your vessel.</p> <p>The navigator is responsible for checking all aids available to confirm his position. Electronic aids are intended to assist, not replace, the navigator.</p>

TABLE OF CONTENTS

FOREWORD	vi
SYSTEM CONFIGURATION	vii
EQUIPMENT LIST	viii
1. INSTALLATION	1-1
1.1 Installation Considerations	1-1
1.1.1 General considerations	1-1
1.2 Platform Mount.....	1-2
1.2.1 Required tools	1-2
1.2.2 How to mount the Antenna Unit	1-2
1.3 Pole Mount.....	1-4
1.3.1 Installation notices.....	1-4
1.3.2 Required tools	1-5
1.3.3 How to assemble the pole kit	1-5
1.3.4 How to mount the Antenna Unit	1-6
1.4 Antenna Mounting Base (option).....	1-7
1.4.1 Installation notices.....	1-8
1.4.2 Required tools	1-8
1.4.3 How to mount the Antenna Unit	1-8
1.5 Bird Deterrents (Option).....	1-11
1.6 Snow Cover Kit (Option)	1-11
1.7 Wiring.....	1-12
1.7.1 How to secure and protect cable connectors.....	1-12
1.7.2 How to protect unused connector of display unit	1-12
2. OPERATIONAL OVERVIEW	2-1
2.1 How to Turn the Power On/Off.....	2-1
2.2 How to Access the SCX-21 Settings.....	2-1
2.2.1 GP-39 Controls	2-1
2.2.2 How to operate the menu.....	2-2
2.2.3 How to change the GP-39 operation mode.....	2-3
2.3 Display Modes.....	2-3
2.3.1 [Satellite monitor] display mode	2-4
2.3.2 [Heading] display mode.....	2-5
2.3.3 [3-Axis Speed] display mode.....	2-6
2.3.4 [ROT] user display	2-6
2.3.5 [Attitude] user display.....	2-7
2.3.6 How to setup the user displays	2-7
2.4 How to View System Information and Conduct Diagnostic Tests	2-8
2.4.1 Viewing system information	2-8
2.4.2 Conducting a simple diagnostic test.....	2-9
2.4.3 Conducting an advanced diagnostic test	2-9
3. INITIAL SETTINGS	3-1
3.1 How to Set the Ship Dimensions.....	3-1
3.2 Satellite Settings	3-4
3.2.1 How to ignore satellites	3-4
3.2.2 How to setup SBAS.....	3-5
3.2.3 How to set an elevation mask	3-5
3.2.4 How to set a time limit for dead reckoning	3-6
3.3 How to Apply Offsets.....	3-6

3.3.1	Data Smoothing (Damping).....	3-7
3.4	How to Setup Data Output.....	3-8
3.4.1	Setting up a data port for output.....	3-8
3.4.2	How to setup the SCX-21 as a data relay	3-9
3.5	Wiring Information between SCX-21 and GP-39.....	3-10
4.	MAINTENANCE.....	4-1
4.1	Preventative Maintenance	4-1
4.2	Fuse Replacement	4-1
4.3	Troubleshooting.....	4-1
4.4	GP-39 Related Errors and Remedies.....	4-2
	APPENDIX 1 MENU TREE	AP-1
	APPENDIX 2 GEODETIC CHART CODES	AP-5
	APPENDIX 3 WHAT IS SBAS?	AP-6
	SPECIFICATIONS	SP-1
	PACKING LISTS	A-1
	OUTLINE DRAWINGS	D-1
	INTERCONNECTION DIAGRAMS.....	S-1

FOREWORD

A Word to the Owner of the SCX-21

FURUNO Electric Company thanks you for purchasing the FURUNO SCX-21 Satellite Compass™. We are confident you will discover why the FURUNO name has become synonymous with quality and reliability.

Since 1948, FURUNO Electric Company has enjoyed an enviable reputation for quality and reliability throughout the world. This dedication to excellence is furthered by our extensive global network of agents and dealers.

Your equipment is designed and constructed to meet the rigorous demands of the marine environment. However, no machine can perform its intended function unless properly operated and maintained. Please carefully read and follow the operation and maintenance procedures in this manual.

We would appreciate feedback from you, the end-user, about whether we are achieving our goal.

Thank you for considering and purchasing FURUNO equipment.

Features

The SCX-21 is a new Satellite Compass™ designed with FURUNO advanced GPS kinematic technology. This compass has a wide range of applications for both land and sea vessels.

The main features are:

- Heading accuracy of 0.5° RMS (1.0° when stationary).
- Perfect for use as a heading sensor for RADAR/TT, Echo trails, AIS, Autopilot and Scanning SONARs.
- Outputs accurate heading, position, time, speed and course.
- Pitch and roll output in digital format for ship's motion correction.
- Attitude settling time of 60 seconds.
- Outputs data in NMEA 0183 format
- Aesthetically pleasing antenna fits nicely on recreational boats.
- Can use the GP-39 as a dedicated display unit.

Program numbers

Unit & PC Board	PCB/Application	Program No.*	PCB/Application	Program No.*
Antenna Unit	STARTER	2051599 01.xx	APL	2051601 01.xx
	BOOTER	2051600 01.xx	GNSS (1 to 4)	48505230 xx

*: "xx" denotes version number.

CE/UKCA declaration

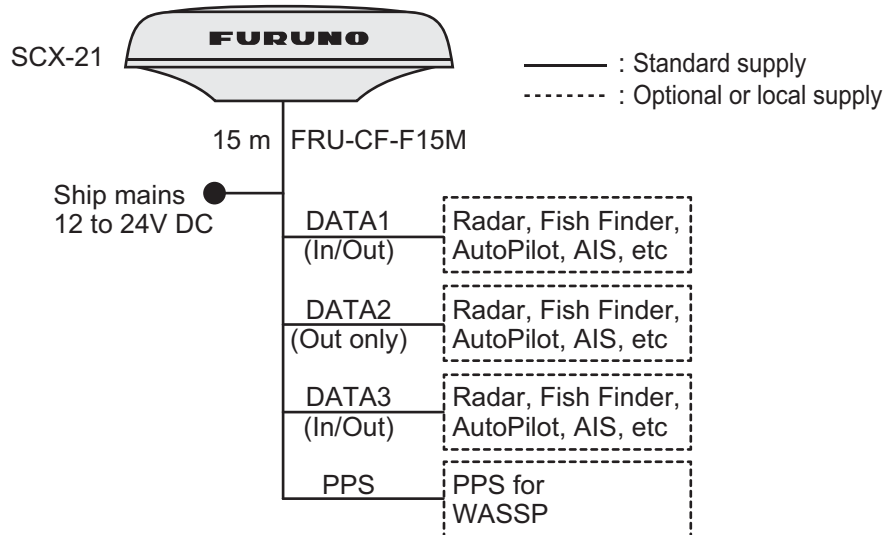
With regards to CE/UKCA declarations, please refer to our website (www.furuno.com) for further information about RoHS conformity declarations

Disclosure of Information about China RoHS

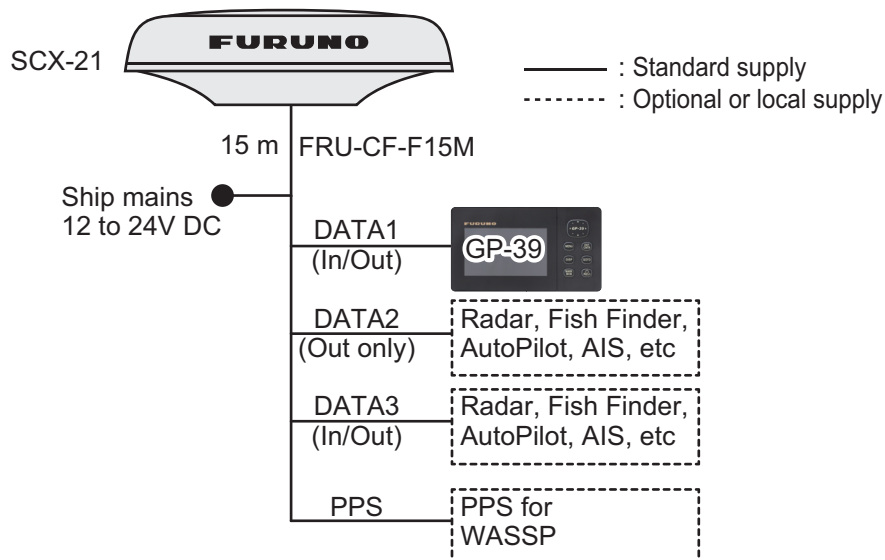
With regards to China RoHS information for our products, please refer to our website (www.furuno.com).

SYSTEM CONFIGURATION

Basic configuration for sensor only



Basic configuration with display unit (GP-39)



EQUIPMENT LIST

Standard supply

Name	Type	Code No.	Qty.	Remarks
Antenna Unit	SCX-21	-	1	For NMEA 0183
Spare Parts	SP20-01901	001-556-110	1	Fuse, 2 pcs.
Installation Materials	CP20-04630	000-036-771	1 (Select one)	For pole mount kit of antenna unit with cable FRU-CF-F15M (15 m).
	CP20-04640	000-036-772		For pole mount kit (w/Mast Mounting Kit CP20-04605 ^{*1}) of antenna unit. Includes cable FRU-CF-F15M (15 m). ^{*1} : Includes Fixing Support Fixture, Pipe and Hose Clamp (φ25 to 35 mm), and 32A to 40A (φ35 to 50 mm) diameter mast installations.

Optional supply

Name	Type	Code No.	Remarks
Cable Assembly	FRU-CF-F15M	001-555-560	
	FRU-CF-F30M	001-555-570	
Right Angle Mounting Base	NO.13-QA330	001-111-910-10	
Pole Mount Kit ^{*2}	CP20-04603	001-556-200	
Mast Mounting Kit ^{*2}	CP20-04605	001-556-240	Requires CP20-04603.
Hose Clamp (Large)	OP20-52	001-556-260	For 32A to 40A (φ35 to 50 mm) diameter mast installations.
Bird-Repellent Fixture	OP20-54	001-556-280	2 pcs.
Snow Cover Kit	OP20-53	001-556-320	

^{*2}: Select the appropriate kit depending on the installation location and configuration.

1. INSTALLATION

NOTICE

Do not apply paint, anti-corrosive sealant or contact spray to coating or plastic parts of the equipment.
Those items contain organic solvents that can damage coating and plastic parts, especially plastic connectors.

You can install the antenna unit as follows. See the outline drawings at the back of this manual.

- Platform mount, fixed from bottom (section 1.2)
- Pole mount (section 1.3)
- Antenna Base mount (section 1.4, option)

Use the NMEA 0183 antenna cable (FRU-CF-F15/30M) for installation.

1.1 Installation Considerations

1.1.1 General considerations

- Keep the length of the antenna cable in mind when selecting a mounting location.
- Make sure the mounting location is strong enough to support the weight of the unit. See the outline drawings at the back of the manual.
- Leave enough space around the unit for service and maintenance. See the outline drawings at the back of this manual for minimum service clearance.
- The sensor should be separated more than three meters from Inmarsat F/FB antennas. Select a location outside this transmission area.
- Do not bundle the antenna cable with radio equipment cables. When these noise reductions are insufficient, adjust the squelch on the radio equipment.
- Select a location with no obstructions to the radio waves.
- Select a location with no local vibration or impact (including vibrations generated by an engine or the mounting mast for this equipment) for the GPS sensor in the antenna unit.
- Observe the compass safe distances (see page iii) to prevent interference to a magnetic compass.

How to select the installation site

The installation site must satisfy the conditions described in the antenna installation procedure at the back of this manual (Dwg. No. C7286-Y01-*).

1.2 Platform Mount

The antenna unit is mounted on a level platform, with the fixing screws inserted from the underside of the unit.

1.2.1 Required tools

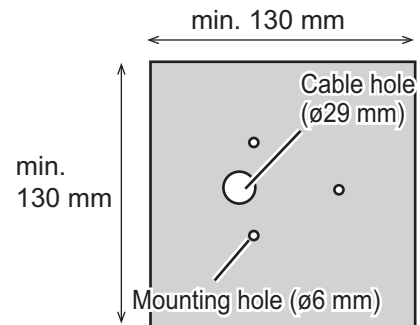
The following tools should be prepared in advance for this installation.

Name	Remarks
Electrical Drill	For making the mounting holes
Drill Bit	φ6
Hole Saw	For making the cable hole φ29 mm.
File	For smoothing the cut edge of the cable hole
Phillips-head Screwdriver	#2

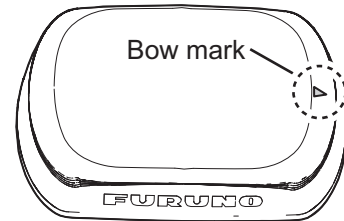
1.2.2 How to mount the Antenna Unit

- Construct a suitable mounting platform, minimum size 130 mm × 130 mm.
Note: The mounting platform must be flat, level and firmly secured.

- Referring to the outline drawing at the back of this manual, drill three mounting holes (φ6 mm) and a cable hole for passing the supplied antenna in the mounting platform. The diameter of a cable hole is φ29±2 mm for SCX-21.

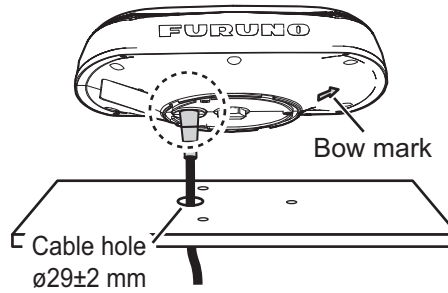


Note: Place the antenna unit on the platform, then orient the unit so the bow mark on its base is facing the ship's bow.

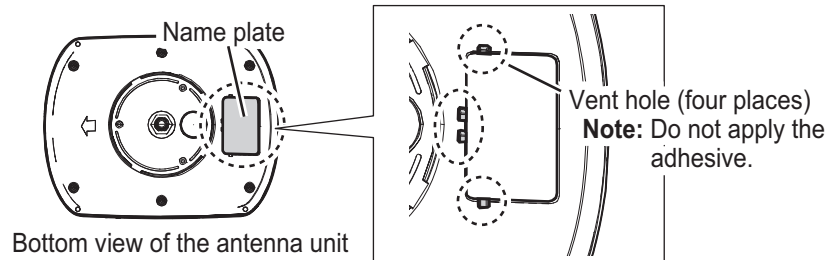


- Pass the antenna cable through the hole made at step 2 so the connector of the antenna cable exits on the upper side of the mounting platform.

4. Connect the antenna cable to the antenna unit connector.

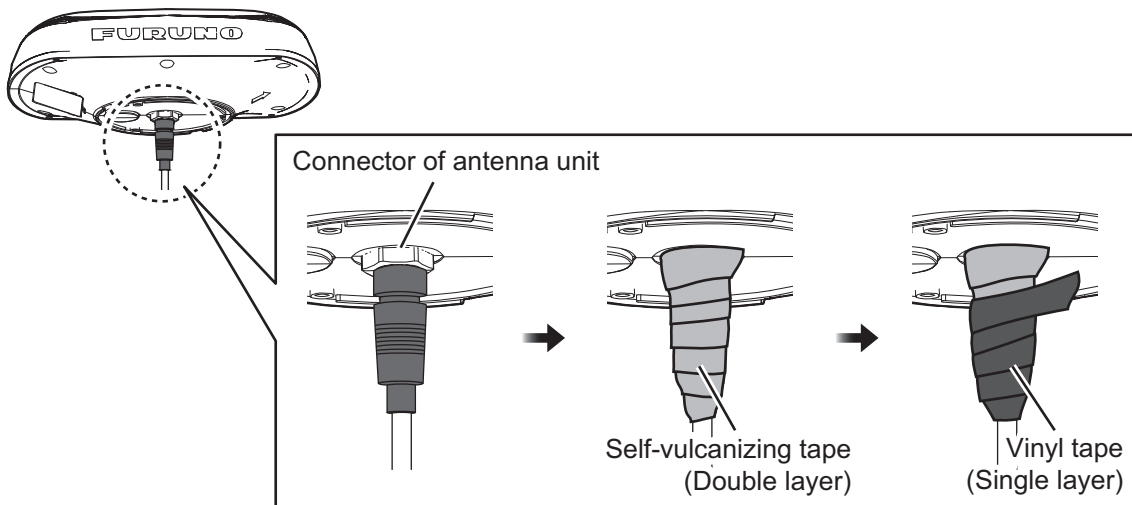


Note: DO NOT apply the supplied adhesive to the four vent holes near the name plate.



5. Wrap self-vulcanizing tape **twice** at the junction between connectors of the antenna unit and the antenna cable. Then wrap vinyl tape **once** over the self-vulcanizing tape for waterproofing.

Note: Wrap the tapes so as to cover both connectors of the antenna unit and the antenna cable.

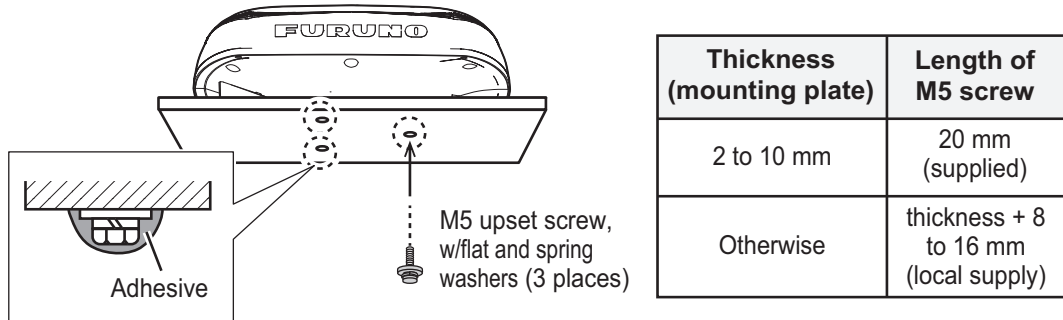


6. Adjust the direction of the antenna unit so the bow mark on its base is facing the ship's bow.

Note: When the antenna unit is placed on the platform, make sure that the platform is not inclined.

1. INSTALLATION

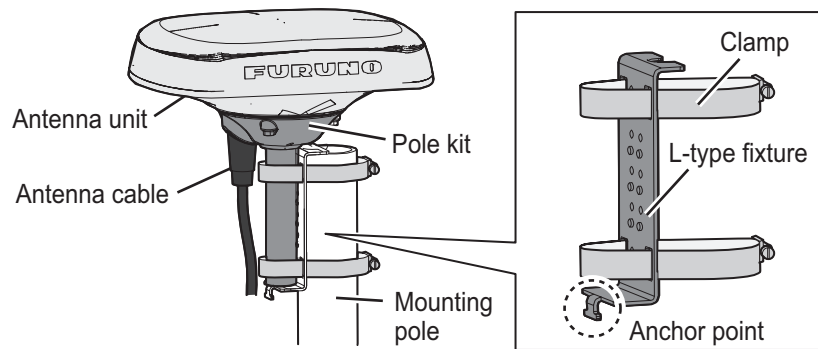
- Fasten the antenna unit to the mounting location with the three sets of supplied upset screws (M5×20, flat and spring washers attached) from the bottom through the mounting holes at step 2. After fastening the screws, coat the screw heads with the supplied adhesive.



Note: Screw length is dependent on the thickness of the mounting platform.

1.3 Pole Mount

Combine the antenna unit with the pole kit with the pole kit fixture then attach the antenna unit assembly to the mounting pole.

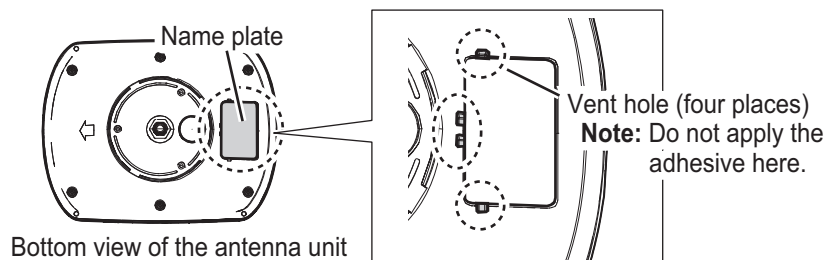


1.3.1 Installation notices

- The diameter of the mounting pole must be 25 to 50 mm.
- Use the **supplied** pole kit and the **supplied** pole kit fixture for the pole mount installation so that the bow mark of the antenna unit faces to the bow.
- Select the correct clamp size of the pole kit fixture considering the diameter of the mounting pole.

Name	Mast diameter	Remarks
Hose Clamp	For 20A to 25A (φ25 to 35 mm)	Standard supply with CP20-04603
	For 32A to 40A (φ35 to 50 mm)	Optional supply (OP20-52).

- DO NOT** apply the supplied adhesive to the four vent holes near the name plate.



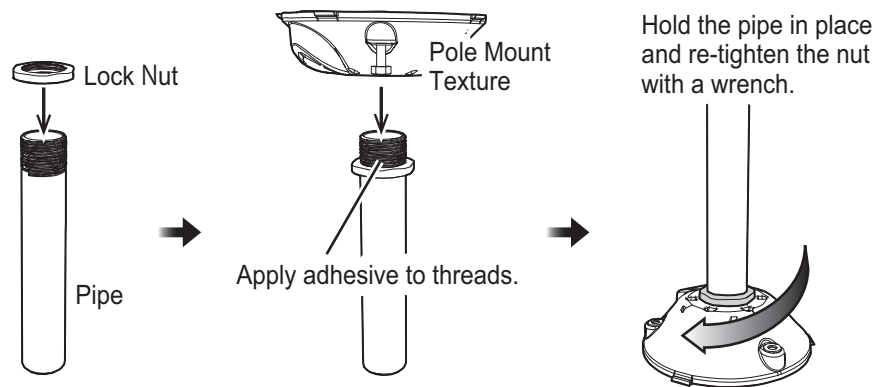
1.3.2 Required tools

The following tools should be prepared in advance for this installation.

Name	Remarks
Phillips-head Screwdriver	#2
Slotted Head Screwdriver	For clamp bolts.
Wrench	For fixing lock nut.
Cable tie	Two pieces (at least), for fixing the antenna cable.
Nipper	For removing the cable entrance cover.
Self-vulcanizing tape	For waterproofing the connector.
Vinyl tape	For waterproofing the connector.

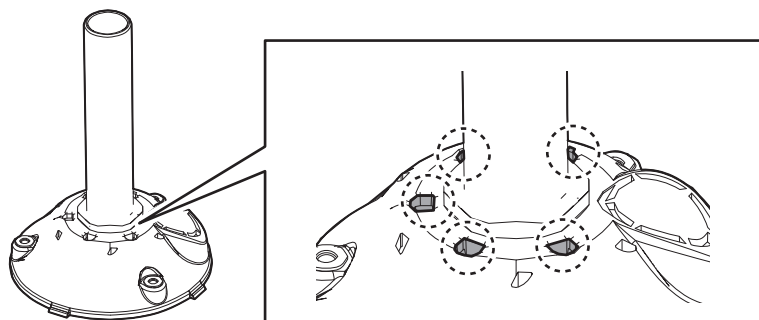
1.3.3 How to assemble the pole kit

1. Thread the supplied lock nut onto the supplied pipe then tighten to the end of thread as shown in the figure below.
2. Apply the adhesive around the threads of the pipe then attach the pole mount texture to the pipe.
3. Turn the assembly upside down, hold the pipe steady and tighten the nut again with a wrench. The torque must be 15 N•m.



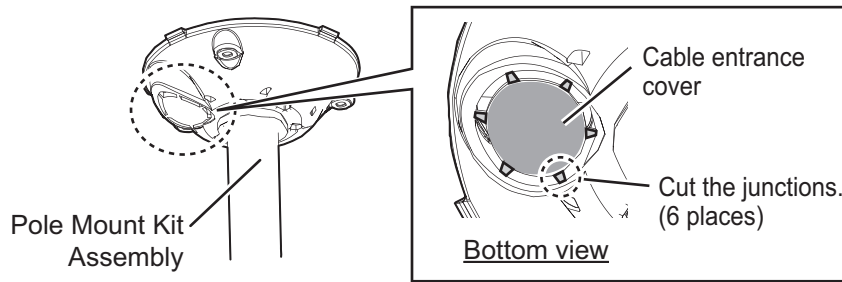
4. Wipe off the excess adhesive.

Note: Do not cover the five drain holes (shown in the figure below) with the adhesive.



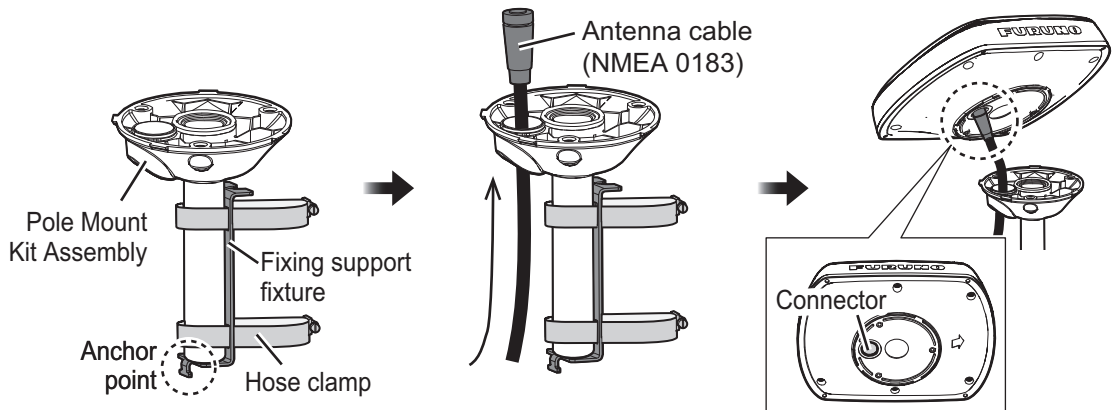
1.3.4 How to mount the Antenna Unit

1. Remove the cable entrance cover on the pole mount kit assembly with a nipper to pass through the antenna cable for NMEA 0183 on the antenna base.

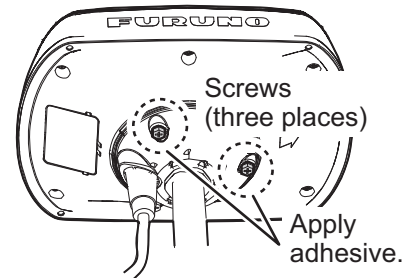


2. Set the hose clamps on the pole mount kit assembly and pass the antenna cable for NMEA 0183 from the underside through the cable entrance of the pole mount kit assembly. Then connect the antenna cable for NMEA 0183 to the connector of the antenna unit.

Note: Make sure the anchor point of the fixing support fixture faces downward.

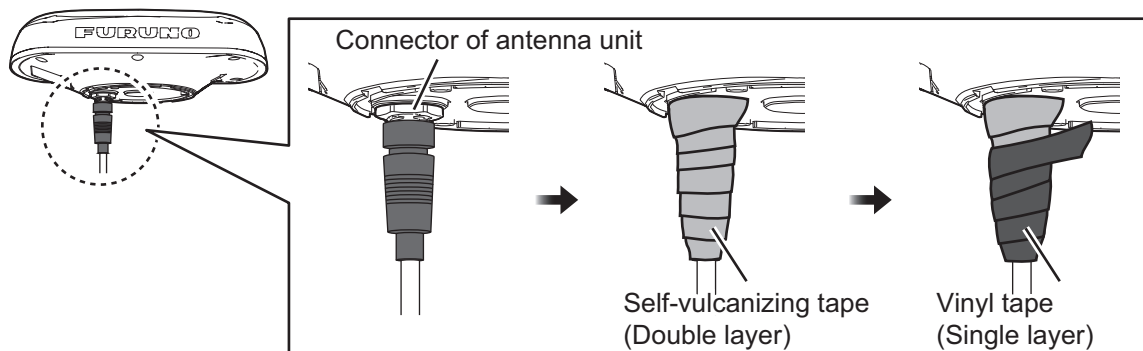


3. Set the antenna unit to the pole mount kit assembly and secure the antenna unit with the three supplied M5 screws from the underside. After fixing screws, coat the screw heads with the supplied adhesive.

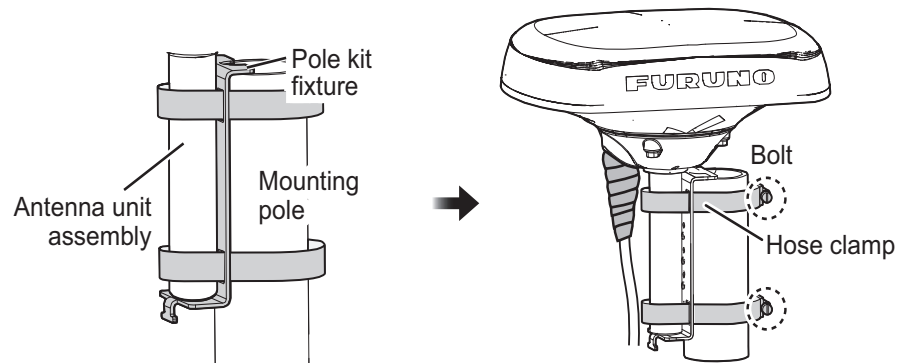


4. Wrap self-vulcanizing tape **twice** at the junction between connectors of the antenna unit and the antenna cable. Then wrap vinyl tape **once** over the self-vulcanizing tape for waterproofing.

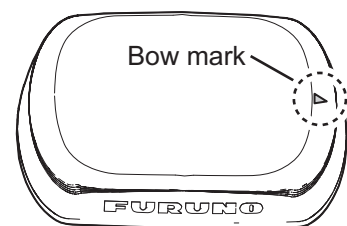
Note: Wrap the tapes so as to cover both connectors of the antenna unit and the antenna cable.



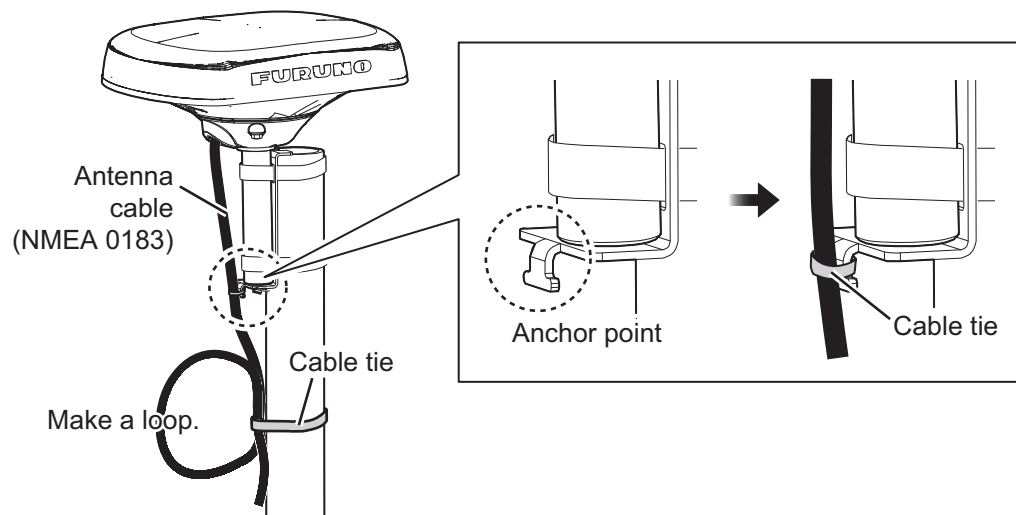
5. Set the antenna unit assembly to the mounting pole so that the pole kit fixture is located at the top of the mounting pole and easily adjust the position of the antenna later in this procedure, as shown in the figure shown below. Then fasten the hose clamps loosely.



6. Adjust the direction of the antenna unit so the bow mark is facing the ship's bow.



7. Fasten the hose clamps to fix the antenna unit.
8. Secure the antenna cable for NMEA 0183 at the anchor point of the fixing support fixture with the supplied cable tie. Make a loop in the antenna cable, then fix the looped section to the pole as shown in the figure below.



1.4 Antenna Mounting Base (option)

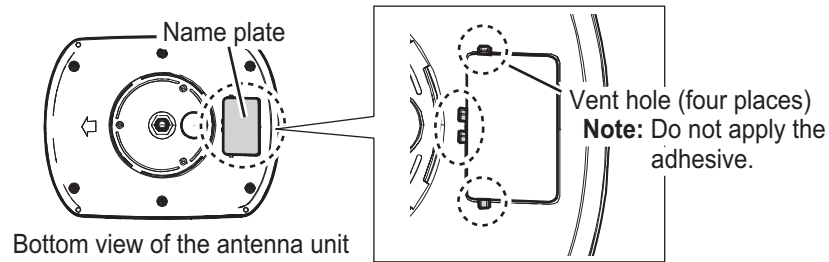
The antenna unit can be mounted on the following locations, using the optional antenna base.

- Inclined surface (adjustable up to 35°)
- Narrow, flat surface

1. INSTALLATION

1.4.1 Installation notices

- Do not install the unit on an uneven surface.
- DO NOT apply the adhesive to the four vent holes near the name plate.



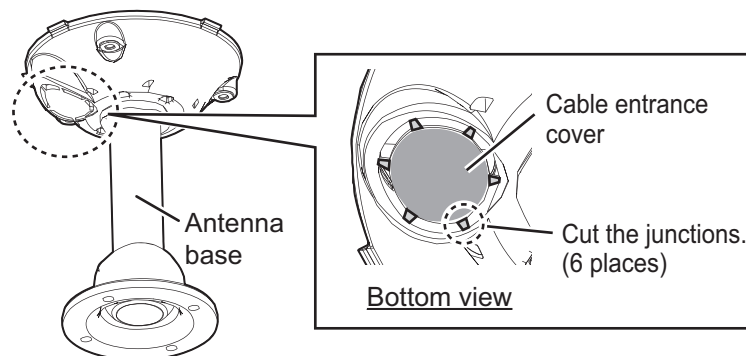
1.4.2 Required tools

The following tools should be prepared in advance for this installation.

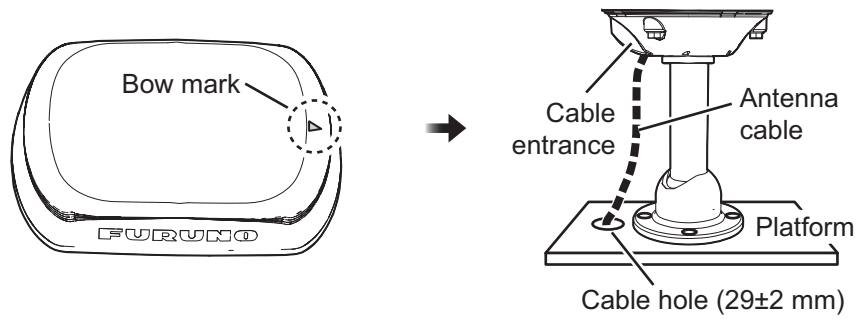
Name	Remarks
Electrical Drill	For making the mounting holes
Drill Bit	φ4.2 to 5
Hole Saw	For making the cable hole (φ25 mm)
File	For smoothing the cut edge of the cable hole
Phillips-head Screwdriver	#2
Nipper	For removing the cable entrance cover

1.4.3 How to mount the Antenna Unit

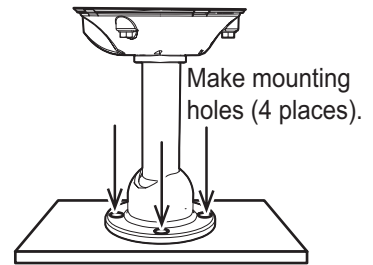
1. Remove the cable entrance cover on the antenna base with a nipper to pass through the antenna cable for NMEA 0183 on the antenna base.



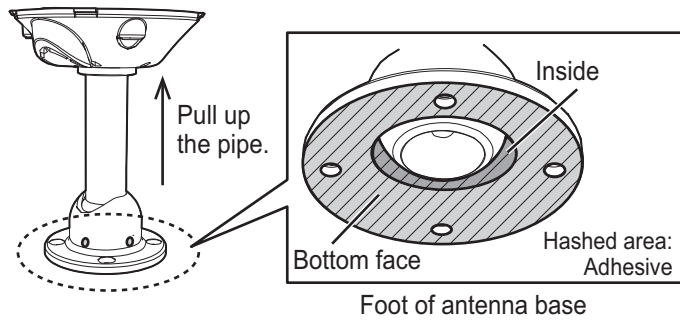
2. Attach the pole mount kit to the antenna base referring to section 1.3.3.
Note: The pipe included in the pole mount kit is not used.
3. Set the antenna base to the mounting location considering the tilt direction of the antenna base. If the antenna cable needs to be pulled out from a hole on the platform, make an antenna cable hole (more than φ29 mm) on the mounting platform considering the location of the cable entrance of the antenna base.
Note: The possible tilt direction of the antenna base depends on the setting position of the antenna base.



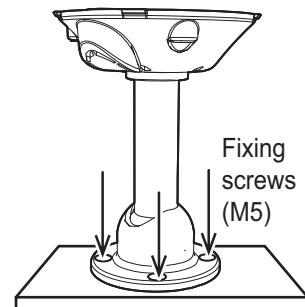
4. Make four mounting holes ($\phi 4.2$ to 5 mm) on the mounting platform.



5. If a hole (not for the cable hole) is located just below the antenna base, pull the pipe slightly upwards then apply the supplied marine sealant to the inside and bottom face the antenna base footing.

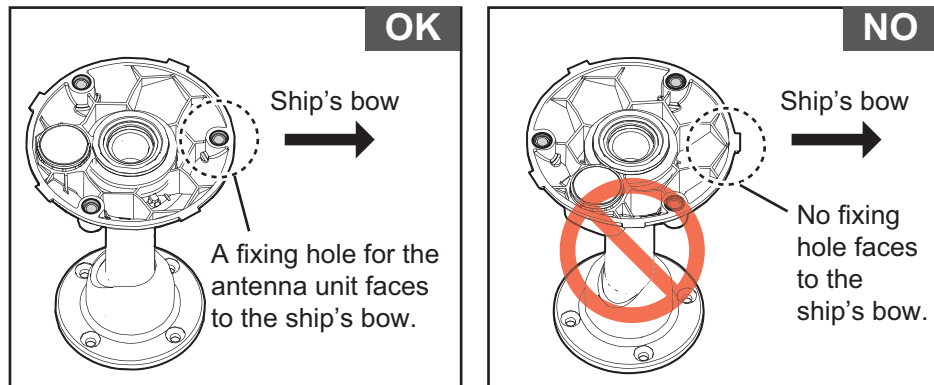


6. Fit the antenna base to the platform so that the mounting holes are aligned with each other, then fasten the four supplied M5 screws tightly to secure the antenna base.



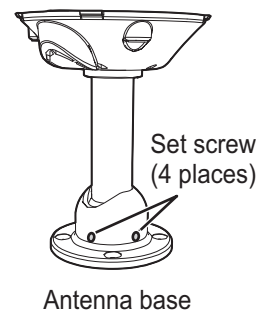
1. INSTALLATION

- Loosen the four set screws on the antenna base with the supplied hex wrench and adjust the direction of the pipe while keeping in mind the fixing hole is pointed towards the ship's bow as illustrated below.

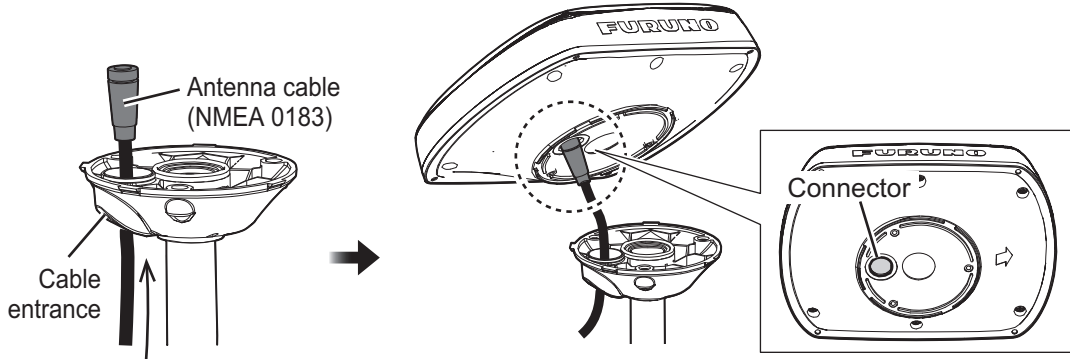


- Remove the hex socket head bolt one by one and fasten the supplied screws with adhesive loosely. After loosely fastening four screws, fasten them tightly then wipe off the excess adhesive.

Note: The adhesive takes approximately 30 minutes to adhere.

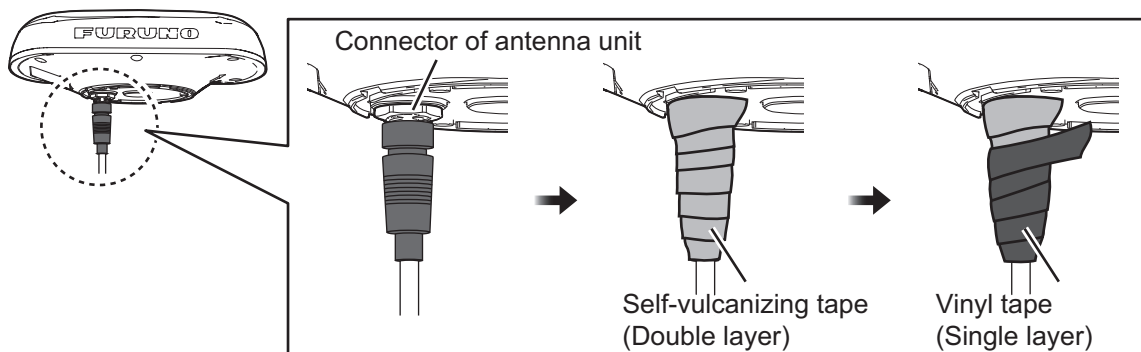


- Pass NMEA 0183 cable through the cable entrance of the antenna base then connect the NMEA 0183 antenna cable to the bottom of the antenna unit.

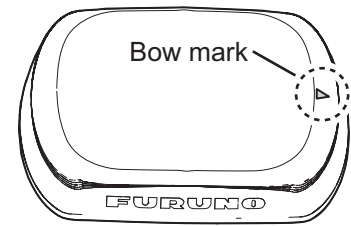


- Wrap self-vulcanizing tape **twice** at the junction between connectors of the antenna unit and the antenna cable. Then wrap vinyl tape **once** over the self-vulcanizing tape for waterproofing.

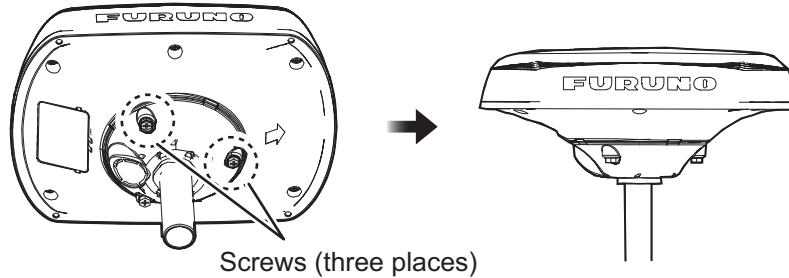
Note: Wrap the tapes so as to cover both connectors of the antenna unit and the antenna cable.



11. Set the antenna unit to the antenna base, then adjust the direction of the antenna unit so the bow mark on its base is facing the ship's bow.



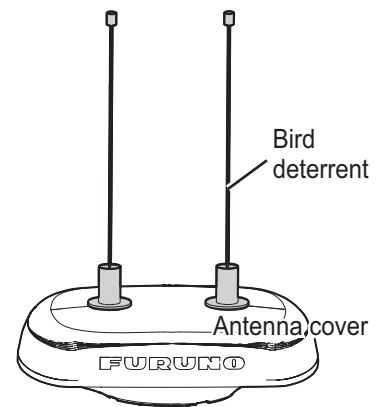
12. Secure the antenna unit with the supplied three M5 screws from the underside.



1.5 Bird Deterrents (Option)

The optional bird deterrents (OP20-54) can help keep birds from resting on your antenna.

Remove the double-sided tape from two bird deterrents, then attach to the antenna cover. Coat around the contact area of both bird deterrents with the supplied adhesive.



1.6 Snow Cover Kit (Option)

The optional Snow Cover Kit (Type: OP20-53; Code: 001-556-320) is available to reduce snow build-up on your antenna.

To install this kit, see the instructions (C72-01901) supplied with the kit.

1.7 Wiring

Connect the antenna cable to each navigational equipment using data ports.

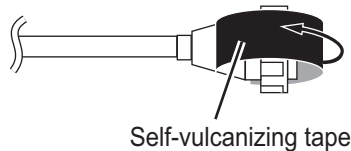
Note: When using the GP-39 as a dedicated display unit, connect the DATA1 cable to the GP-39 port1 connector.

1.7.1 How to secure and protect cable connectors

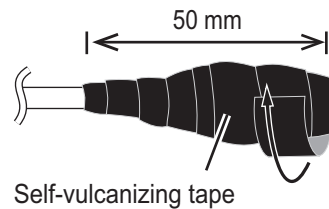
Where the connectors are subject to rain or water splash, the connectors should be wrapped with vinyl tape to prevent corrosion and avoid short-circuits. This also includes any unused connectors.

Securing and protecting unused cable connectors

- 1) Cover the loose end of the cable connector with self-vulcanizing tape.



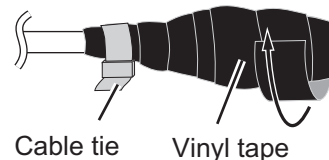
- 2) Wrap the connector with a layer of vulcanizing tape, covering approx. 50 mm of the connected cable. Confirm that the connector is covered.



- 3) Wrap vinyl tape over the self-vulcanizing tape.

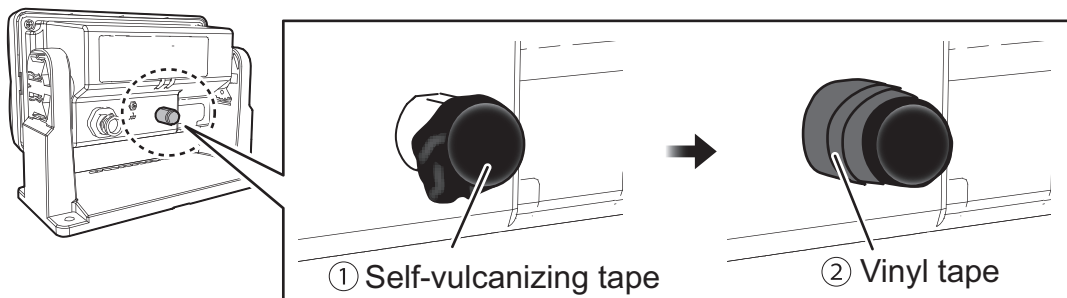


- 4) Wrap the connector with a layer of vinyl tape. Bind the tape end with a cable tie to prevent the tape from unraveling.



1.7.2 How to protect unused connector of display unit

The unused connector of GP-39 should be wrapped with self-vulcanizing tape and vinyl tape (local supply) to prevent corrosion and avoid short-circuits.



1. Cover the cable entry for unused connector of GP-39 with self-vulcanizing tape.
2. Wrap the side of the connector with vinyl tape to prevent the self-vulcanizing tape from peeling off.

2. OPERATIONAL OVERVIEW

2.1 How to Turn the Power On/Off

Your SCX-21 has no power switch. To turn the SCX-21 on or off, use the ship's mains.

2.2 How to Access the SCX-21 Settings

You can view and change the settings for your SCX-21 using one of two methods:

- 1) From the dedicated display (GP-39 using SCX-21 operation mode).
This manual uses the GP-39 for all operations and display examples are taken from the GP-39. For detailed instruction on how to use the GP-39, see the operator's manual included with the GP-39.

Also, the applicable program version of GP-39 for SCX-21 connection is shown below;

- CPU Main: 2051584-03.01 (or later)
- CPU Boot: 2051583-03.01 (or later)

- 2) From the PC Setting Tool software.
For operation from the PC Setting Tool, see the manual included with the software.

2.2.1 GP-39 Controls



No.	Key name	Description
1	CursorPad	<ul style="list-style-type: none">• Moves the cursor• Selects (highlights) items in the menu.
2	MENU key	<ul style="list-style-type: none">• Opens the menu. For plotter and highway displays, press twice. For all other displays, press once.• Shows the zoom window (plotter and highways displays only).
3	DISP key	Changes the display mode.
4	MARK/MOB key	<ul style="list-style-type: none">• Long press: Inscribe a MOB mark.• Short press: Registers own ship position as waypoint.

2. OPERATIONAL OVERVIEW

No.	Key name	Description
5	ENT/CNTR key	<ul style="list-style-type: none">• Long press: Returns own ship position to center (plotter display only).• Short press: Confirms menu selection.
6	GOTO key	<ul style="list-style-type: none">• Set the cursor location on the screen as a destination.• Switch the screen left and right.
7	PWR/BRILL key	<ul style="list-style-type: none">• Long press: Turns power off.• Short press: Turns power on, shows Brill window.

2.2.2 How to operate the menu

To operate the menu, do the following:

1. Press the **MENU** key to show the main menu. From [Plotter] or [Highway] display modes, press the **MENU** key twice.
2. Press ▼ or ▲ on the CursorPad to select the desired menu item, then press the **ENTER** key.
3. Press ▼ or ▲ on the CursorPad to select the desired sub-menu item, then press the **ENTER** key.
4. Press ▼ or ▲ on the CursorPad to select the desired setting, then press the **ENTER** key.
5. Press the **DISP** key to close the menu or press the **MENU** key to go back one layer in the menu.

For the sake of brevity, procedures in this manual use the following terminology:

Terminology	Meaning
Open the menu.	Do step 1 of the above procedure.
Select "xxx".	Press ▼ or ▲ on the CursorPad to select xxx, then press the ENTER key.
Close the menu.	Do step 5 of the above procedure.

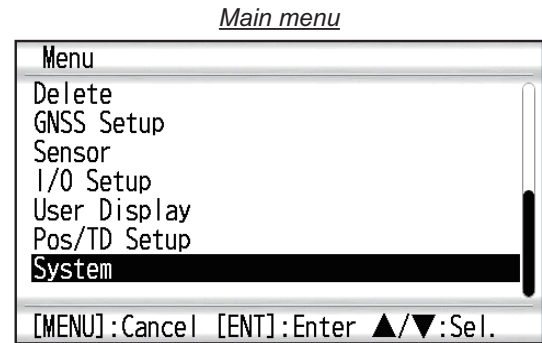
2.2.3 How to change the GP-39 operation mode

1. Open the menu.
2. Select [System] to show the [System] menu.
3. Select [Operation Mode] to show the setting options.
4. Select the required operation mode.
To use the GP-39 as a dedicated display for the SCX-21, select [SCX-21].
To use the GP-39 normally (with no access to the SCX-21 settings), select [GP-39].
5. Close the menu.

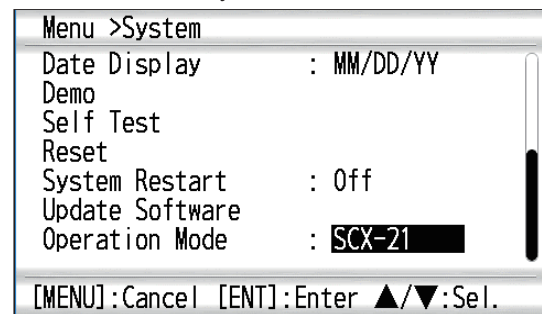
Note 1: Settings are not shared between operation modes.

Note 2: Some default settings are different, depending on the operation mode. For details, see the menu tree at the back of this manual. This manual uses the default settings for SCX-21 operation mode.

If you selected SCX-21 as the operation mode, you can now use your GP-39 as a dedicated display unit for the SCX-21. You also have access to all GP-39 functions.



System menu



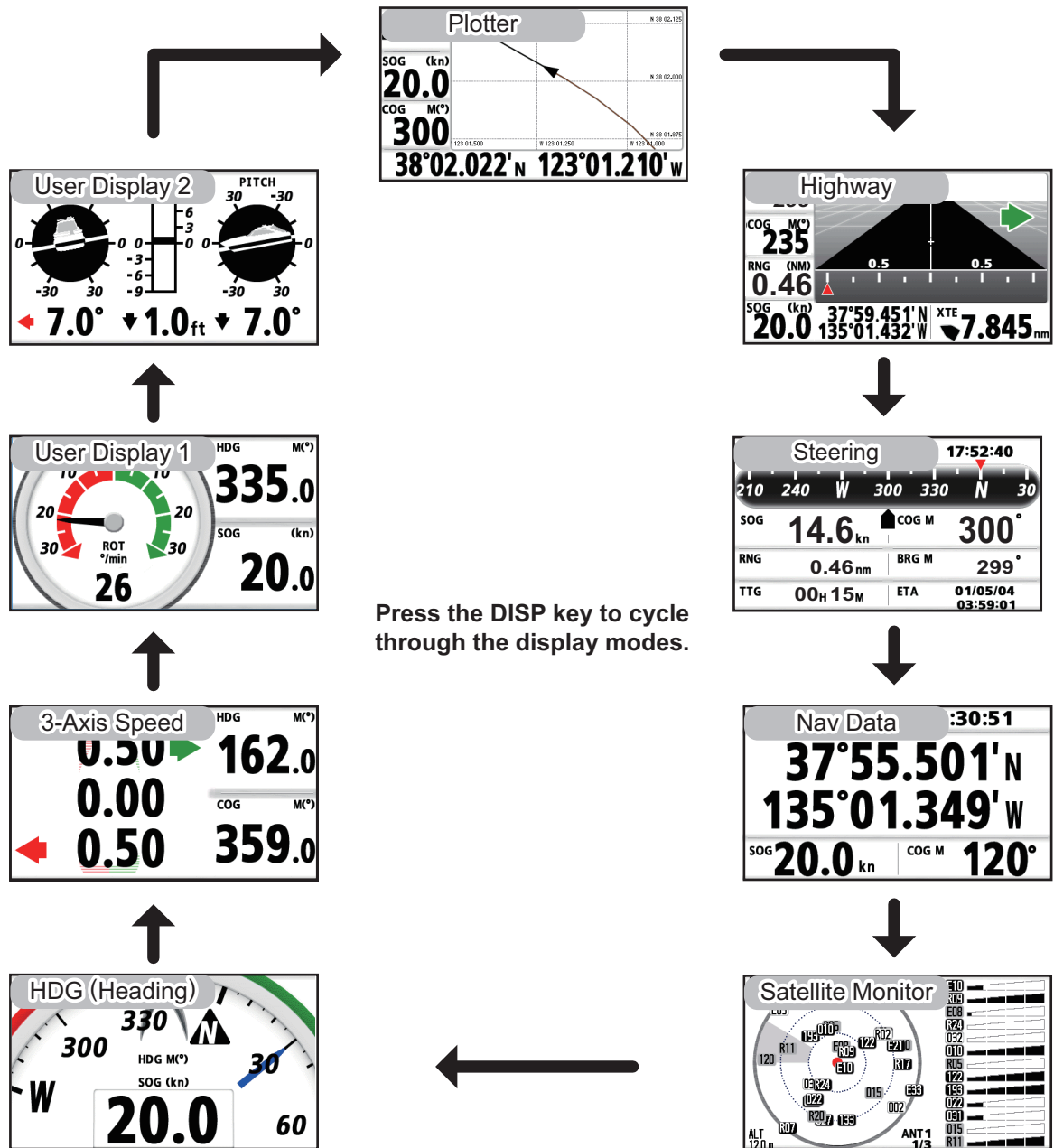
2.3 Display Modes

As a dedicated display for the SCX-21, the GP-39 has the following additions to its current display modes and User Displays.

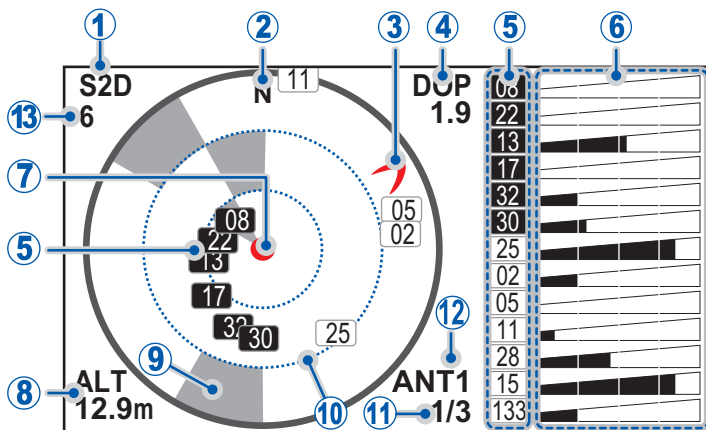
- HDG (Heading) display mode (see section 2.3.2).
- 3-axis speed display mode (see section 2.3.3).
- ROT (Rate Of Turn) User Display (see section 2.3.4).
Appears as [User Display 1] under default settings.
- Attitude (roll and pitch) User Display (see section 2.3.5).
Appears as [User Display 2] under default settings.

Note: For detailed information regarding the existing display modes, see the GP-39 operator's manual.

2. OPERATIONAL OVERVIEW



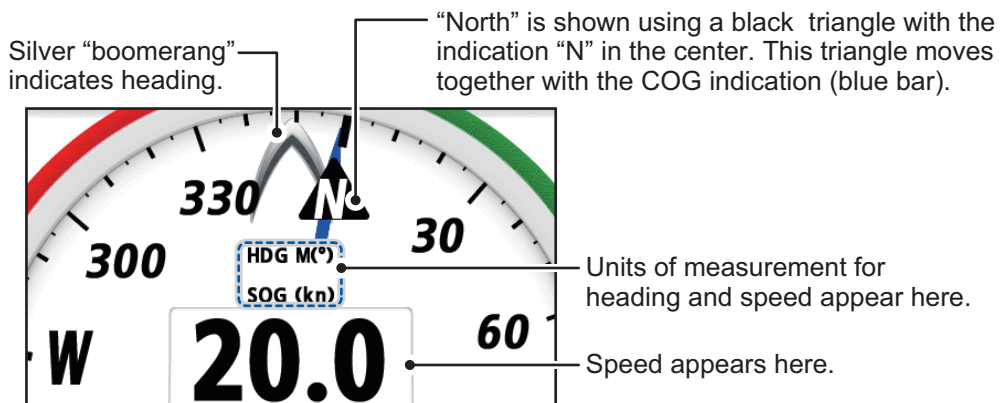
2.3.1 [Satellite monitor] display mode



The satellite monitor display mode shows the following information:

No.	Name/description
1	Positioning mode - indicated as [2D], [S2D], [3D] or [S3D]. If positioning is interrupted or the signal is stopped, this indication changes to show "---" (hyphens). The prefix "S" appears when SBAS is used to assist positioning.
2	North mark - indicates magnetic north as "N". The indication appears at the outer edge of the elevation rings.
3	Heading mark - shows your current heading. The mark appears as a red "boomerang" shape at the outer edge of the elevation rings.
4	DOP (Dilution Of Position) - indicates the reliability of the positioning fix. A lower value indicates high reliability.
5	Satellite number and signal strength - shows the number of each satellite currently in view, indicated as a small box with the satellite number in the center. The satellites are color coded as follows: <ul style="list-style-type: none"> • White: satellite is not used for any calculations. • Gray: satellite is used for calculating positioning only. • Black: satellite is used for calculating positioning and heading.
6	SNR (Signal to Noise Ratio) - shows the overall reliability of the satellite signal. Signal to noise ratio, or the overall reliability of the signal, is indicated in black. A longer bar indicates a more reliable signal.
7	Own ship position - indicated as a red circle at the center of the satellite details.
8	ALT (Altitude) - shows your altitude. When the positioning mode is S2D or 2D, the value indicated is the antenna height. When the positioning mode is S3D or 3D, the value indicated is calculated from sea level.
9	Blocked areas - indicated as gray-colored "sectors" in each elevation range. Indicates areas which have been detected to be blocked. Satellites which appear within a blocked area may not be reliable.
10	Elevation rings - indicates elevation in relation to your ship. The outermost ring (thick, gray line) indicates 0°. The outermost of the two inner rings (blue, dashed lines) indicates 30° and the innermost ring indicates 60°.
11	Page number - When over 13 satellites are acquired, page number appears at the bottom center of the display. To see the receiver signal levels of satellites not shown on the first page, press ▲ or ▼ to switch the page.
12	ANTx (Antenna number) - shows the antenna whose details are currently displayed as "ANT1", "ANT2", "ANT3" or "ANT4". The number of the details page currently displayed (indicated "1/2", "2/3" or "3/3") appears below the antenna number. Note: ANT4 (antenna number 4) cannot detect GLONASS satellites.
13	Bearing status - The number of common satellites are shown (1 to 32). "0" and "DR" means under dead-reckoning. "-" means the signal is not received.

2.3.2 [Heading] display mode

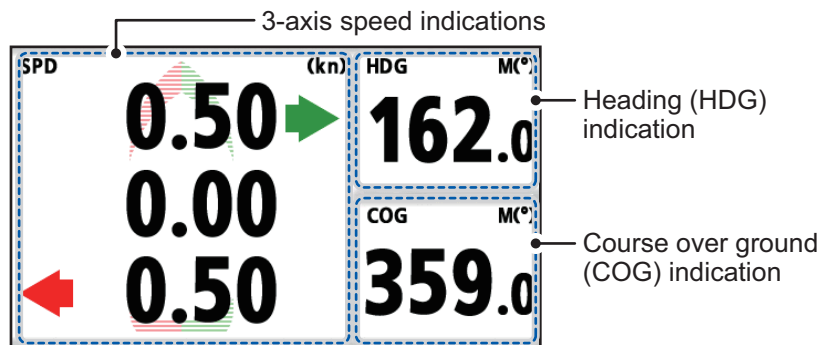


2. OPERATIONAL OVERVIEW

The heading display mode shows the following information:

- **HDG (heading)** - shown as a silver “boomerang” indicating your current heading with the reference method used (selected in [COG/BRG ref.] from the [Plotter Setup] menu).
- **COG (course over ground)** - shows your course. The indication for North also appears as a triangle, with the top of the triangle pointing to the north.
- **SOG (speed over ground)** - your vessel speed is indicated at the bottom-center of the display.

2.3.3 [3-Axis Speed] display mode

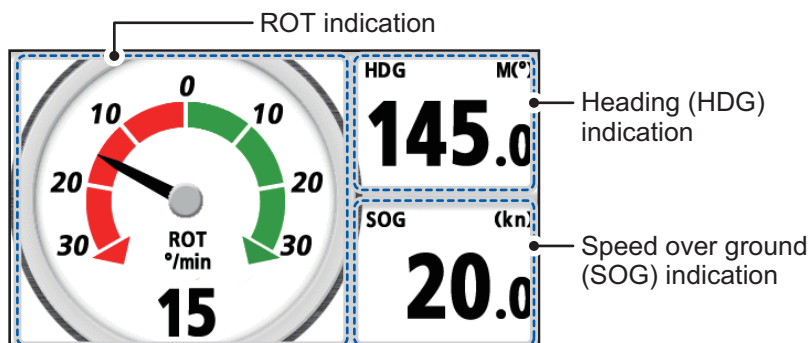


The 3-Axis Speed display mode shows the following information:

- **SPD (speed)** - shows the speeds for fore (uppermost) and aft (lowermost), and appears along with the direction in which the fore/aft of your vessel is moving. The center value shows the forward/reverse speed of your vessel. Forward speed is indicated with an arrow pointing upwards, reverse speed with an arrow pointing downwards. For the fore/aft speeds, the direction is indicated with a green arrow for starboard, red arrow for port movement. The speed measurement unit (selected in [Units] from the [System] menu) appears at the top-left of the display section.
- **HDG (heading)** - shows your current heading and the reference method used (selected in [COG/BRG ref.] from the [Plotter Setup] menu).
- **COG (course over ground)** - shows your current course and the reference method used (selected in [COG/BRG ref.] from the [Plotter Setup] menu).

2.3.4 [ROT] user display

Note: This user display is set by default as User Display 1. To change these contents, see section 2.3.6.

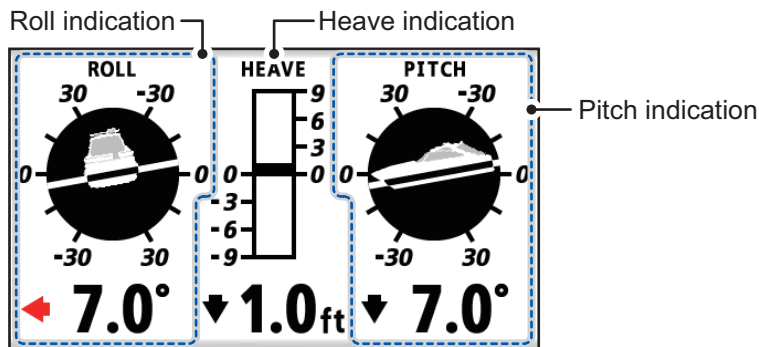


The ROT user display shows the following information:

- **ROT (rate of turn)** - indicated with a black needle with the background dial representing either port (red) or starboard (green) direction for the turn.
- **HDG (heading)** - shows your current heading and the reference method used (selected in [COG/BRG ref.] from the [Plotter Setup] menu).
- **SOG (speed over ground)** - shows your current speed and the measurement unit (selected in [Units] from the [System] menu).

2.3.5 [Attitude] user display

Note: This user display is set by default as User Display 2. To change these contents, see section 2.3.6.



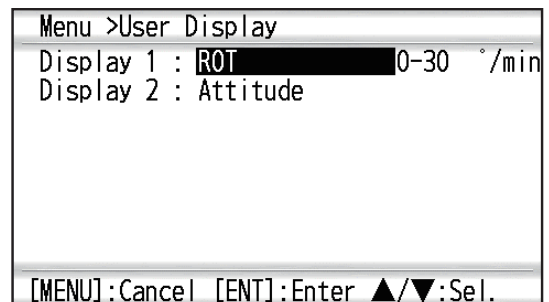
The attitude user display shows the following information:

- **ROLL** - your vessel's attitude in the port-starboard direction and the amount of roll, in degrees.
- **PITCH** - your vessel's attitude in the fore-aft direction and the amount of pitch, in degrees.
- **HEAVE** - your vessel's motion in the upwards/downwards direction, with the amount of heave. Heave amount is shown with the measurement unit selected in [Units] from the [System] menu.

2.3.6 How to setup the user displays

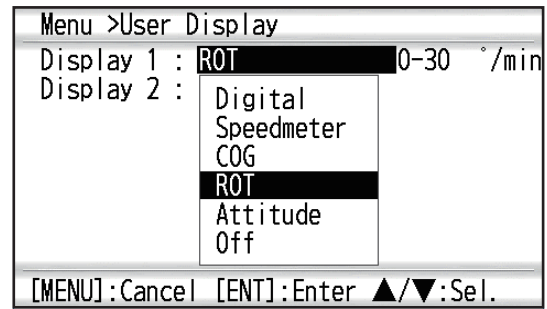
When used as a dedicated display for the SCX-21, your GP-39 has two customizable displays. To change the contents of these displays, do the following:

1. Open the menu.
2. Select [User Display] to show the [User Display] menu.



2. OPERATIONAL OVERVIEW

3. Select [Display 1] or [Display 2] as required to show the available display options.



4. Select the desired display option.
5. Close the menu.

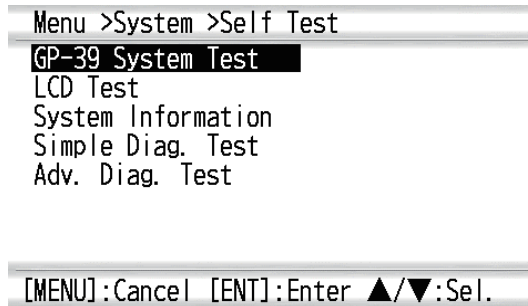
2.4 How to View System Information and Conduct Diagnostic Tests

When connected with the GP-39 as a dedicated display, the SCX-21 can display its system data and conduct a test to see if the SCX-21 is functioning correctly.

2.4.1 Viewing system information

The system information screen shows program numbers, operating times and the SCX-21's serial number. To access the system information, do the following:

1. Open the menu.
2. Select [System] → [Selftest] to show the [Selftest] menu.



3. Select [System Information]. The following information appears.

Displayed item	Meaning/description
[Main PCB]	SCX-21's main PCB program version.
[Starter Ver.]	Starter application program version.
[Booter1(2) Ver.]	Booter applications 1 & 2 program versions.
[App. Ver.]	Main application program version.
[Powered Time]	Time since the SCX-21 was last turned on.
[Overall Powered Time]	Total time the SCX-21 has been powered since installation.
[GP-39 SW Ver.]	GP-39's software program version.
[GP-39 Overall Powered Time]	Total time the GP-39 has been powered since installation.
[Serial No.]	SCX-21's serial number.
[GNSS1(2/3/4)]	Program number for each of SCX-21's GNSS modules.

2.4.2 Conducting a simple diagnostic test

1. Open the menu.
2. Select [System] → [Selftest] to show the [Selftest] menu.
3. Select [Simple Diagnostic Test]. Test results appear as follows ("NG" means "No Good"). The following items are tested in this diagnostic:

Item	Description
[ROM]	ROM status (OK/NG (No Good))
[RAM]	RAM status (OK/NG) (No Good)
[Rate Gyro]	Gyro meter status (Good/Bad)
[Acceleromtr]	Accelerometer status (Good/Bad)
[Magnetic]	Magnetometer status (Good/Bad)
[Press./Temp.]	Status for atmospheric pressure/air temperature sensor (Good/Bad).
[Installation]	Detects the numbers of antenna vibrations (0 to 99).
Port1/2/3 IO	Exception for diagnostic test
GNSS1/2/3/4	Status for GNSS modules 1, 2, 3 and 4 (Good/Bad).
ANT1/2/3/4	Status for antennas 1, 2, 3 and 4 (OK/NG (No Good)).

2.4.3 Conducting an advanced diagnostic test

1. Open the menu.
2. Select [System] → [Selftest] to show the [Selftest] menu.
3. Select [Advanced Diagnostic Test]. Test results appear as either "OK" or "NG" (No good). The following items are tested in this diagnostic:

Item	Description
[ROM]	ROM status
[RAM]	RAM status
[Rate Gyro]	Gyrocompass status
[Acceleromtr]	Accelerometer status
Port1/2/3 IO	For factory setting.
GNSS1/2/3/4 RAM	RAM status for GNSS modules 1, 2, 3 and 4.
GNSS1/2/3/4 ROM	ROM status for GNSS modules 1, 2, 3 and 4.

2. OPERATIONAL OVERVIEW

This page is intentionally left blank.

3. INITIAL SETTINGS

When the unit is powered for the first time, it is in a “cold start” state, meaning there is no satellite data (almanac data) stored. In this state, the unit searches for, and stores, satellites to find its heading. This process takes approximately 60 seconds.

If the heading is not found within 30 minutes, the antenna installation location may not be suitable. A lack of visible satellites (less than five) can also prevent the unit from finding a heading. Resolve the problem, then re-check the tracking status.

If the installed heading error is found to be 5° or higher, physically turn the antenna while monitoring the heading indication to reduce the error as much as possible. Errors less than 5° can be adjusted in software.

Once a heading is found, check the following items and set or adjust them as required.

- Vessel dimensions and antenna location. See section 3.1.
- Satellite settings (SBAS, elevation mask, smoothing, etc). See section 3.2.
- Offset for heading, roll, pitch, heave, etc. See section 3.3.
- I/O menu settings as appropriate. See section 3.4.

Initial settings can be done with one of the following methods:

- From a dedicated GP-39
This method is covered within this manual.
- Connect a PC and setup the SCX-21 using the SC setting tool
You can download the SC setting tool from the quick response code to the right. For how to use the SC setting tool, see the operator's manual of the SC setting tool (OME-72851).



Note: This manual covers only SCX-21-specific menus and settings. Detailed settings and procedures for the GP-39 are covered in the GP-39 operator's manual.

3.1 How to Set the Ship Dimensions

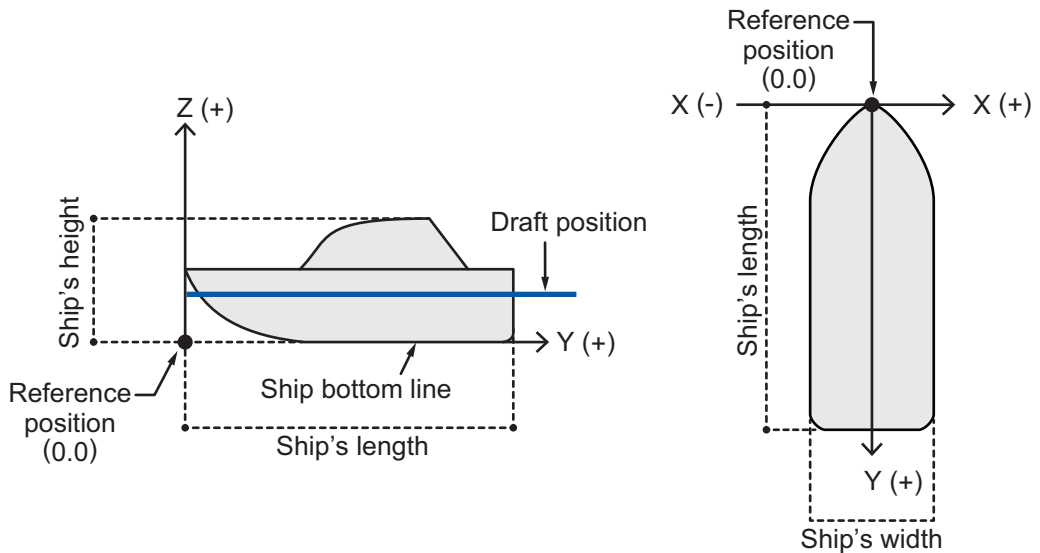
Some features, such as 3-axis speed, require ship dimensions and reference points in order to calculate and display a correct value.

You can set your vessel's dimension with the following procedure.

3. INITIAL SETTINGS

1. Open the menu.
2. Select [Sensor], then [Ship Size, ANT POSN].
3. Select [Ship's Width], then enter the width of your vessel. This is the distance at the widest point of the vessel, from starboard edge to port edge.
4. Select [Ship's Length], then enter the length of your vessel. This is distance at the longest point of the vessel, from bow to stern.
5. Select [Ship's Height], then enter the height of your vessel. This is the distance at the highest point of the vessel, from keel to mast-top.
6. Referring to the following table, set the remainder of the menu items accordingly. Enter the appropriate value according to the ship's size, **to improve the accuracy of the 3-axis speed**. The reference position for installation location and calculating position of the 3-axis speed is shown in the following figure.

Ship Size, ANT POSN	
Show ANT POSN	
Ship's Width	: 3.0 m
Ship's Length	: 10.0 m
Ship's Height	: 5.0 m
ANT Position X0	: + 0.00 m
ANT Position Y0	: 5.0 m
ANT Position Z0	: 2.5 m
[MENU]:Cancel [ENT]:Enter ▲/▼:Sel.	



Note: Antenna location and speed calculation values require ship dimensions. If ship dimensions are not yet set, restart this procedure.

[ANT Position X0]	Set the port-starboard (Lateral) location of the SCX-21. Enter negative value for port-side, positive value for starboard-side. The center of the vessel is "0" (Setting range: -327.64 to +327.64 m).
[ANT Position Y0]	Set the bow-stern (Longitudinal) location of the SCX-21. Set the distance from the bow to the stern with the bow as 0 m (Setting range: 0.0 to 999.9 m).
[ANT Position Z0]	Set height of the SCX-21, from the bottom of the ship (Setting range: 0.0 to 199.9 m).

[CALC-SPD- POSN Y1 (BOW)]**	Set the bow-stern location for calculating the 3-axis speed. Ship's speed can be measured at two locations in addition to the antenna position. Enter the backward distance from the reference position (Fwd Center of the bow) to the position where you want to measure the ship's speed. Normally, the default settings should be kept.
[CALC-SPD- POSN Y2 (Stern)]**	<p>Note: The value for [CALC-SPD-Y1] is set to [0 m] as default. [CALC-SPD-Y2] is automatically set to the ship's length (set previously, in the same menu). For most vessels, these two settings do not require adjustment. On large vessels, where speed and location is required at locations other than the bow, such as for docking, these two values should be adjusted as required. For all vessels, [CALC-SPD-Z] should be set to the vessel's draft value. For further information, contact your local FURUNO dealer.</p>
[CALC-SPD- POSN Z (Height)]**	Set the height for calculating the 3-axis speed. Enter the distance from the bottom of the ship to the position where you want to measure the ship's speed. For example, enter the draft value when you want to measure the speed at draft position.

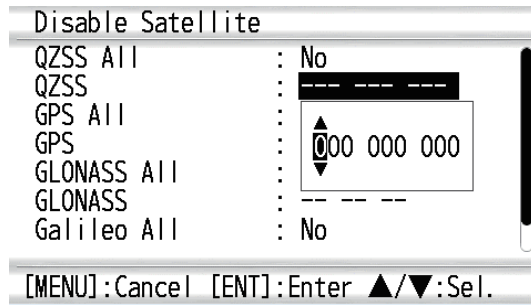
7. To apply the settings, press the **ENT** key.
To discard the changes and start again, press the **MENU** key.
8. Close the menu.

3.2 Satellite Settings

3.2.1 How to ignore satellites

The SCX-21 has an almanac of satellite numbers which is used to filter and ignore disabled or inoperative satellites. You can manually set a satellite to ignore with the following procedure.

1. Open the menu.
2. Select [GNSS Setup], then select [Disable Satellite] to show the [Disable Satellite] menu.



3. Referring to the table below, select and set the satellite(s) to ignore. Up to three individually specified satellites can be ignored for each satellite group.

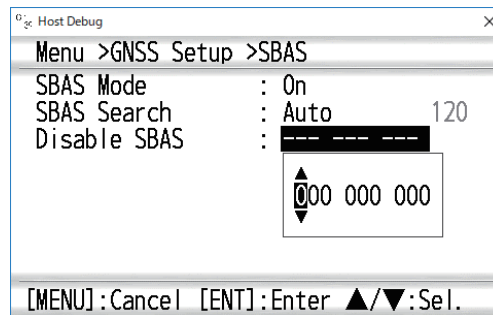
Menu item	Description
[QZSS All]	Select [Yes] to ignore all QZSS satellites, or select [No] to ignore only the specified satellites, set at [QZSS].
[QZSS]	Set the satellite number for each satellite you want to ignore.
[GPS All]	Select [Yes] to ignore all GPS satellites, or select [No] to ignore only the specified satellites, set at [GPS].
[GPS]	Set the satellite number for each satellite you want to ignore.
[GLONASS All]	Select [Yes] to ignore all GLONASS satellites, or select [No] to ignore only the specified satellites, set at [GLONASS].
[GLONASS]	Set the satellite number for each satellite you want to ignore.
[Galileo All]	Select [Yes] to ignore all Galileo satellites, or select [No] to ignore only the specified satellites, set at [Galileo].
[Galileo]	Set the satellite number for each satellite you want to ignore.

4. Close the menu.

3.2.2 How to setup SBAS

SBAS (Satellite Based Augmentation Systems) are available to assist with position fixing. These systems correct measurement errors and improve the overall reliability of your GNSS position fix. You can enable, disable and setup how you want to use SBAS with the following procedure.

1. Open the menu.
2. Select [GNSS Setup], then select [SBAS] to show the [SBAS] menu.



3. Referring to the table below, setup the SBAS as required.

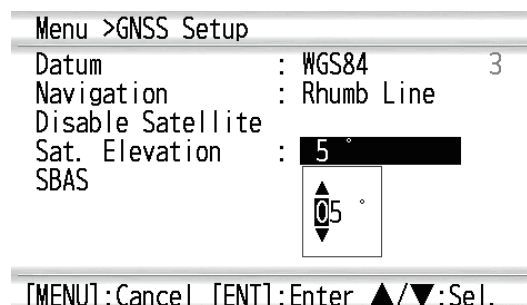
Menu item	Description
[SBAS Mode]	Select [On] to enable SBAS or select [Off] to disable the feature.
[SBAS Search]	Select the appropriate option. <ul style="list-style-type: none"> • Auto: automatically search for and use SBAS. • Manual: manually enter the SBAS you want to use.
[Disable SBAS]	Set the number for each SBAS you want to ignore.

Note: You cannot manually select an SBAS which is set to ignore at [Disable SBAS]. Further, you cannot ignore an SBAS which is already manually selected at [SBAS Search].

3.2.3 How to set an elevation mask

Satellites with a low elevation may be unreliable due to atmospheric conditions or signal multipath. For this reason, you may want to apply an elevation mask, which excludes satellites below the specified elevation. You can set an elevation mask with the following procedure.

1. Open the menu.
2. Select [GNSS Setup] to show the [GNSS Setup] menu.

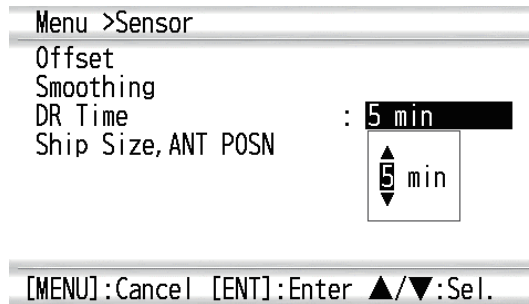


3. Select [Sat. Elevation].
4. Set the elevation at which you want the mask to stop. Satellites below this elevation will be ignored.
5. Close the menu.

3.2.4 How to set a time limit for dead reckoning

When the SCX-21 cannot receive the signal from a satellite, the SCX-21 continues to output heading data as “dead reckoning” for the time set here. If the signal from the satellite cannot be retrieved within the time set here, the SCX-21 stops outputting the heading data. You can set a time limit for the use of dead reckoning with the following procedure.

1. Open the menu.
2. Select [Sensor]. The [Sensor] menu appears.



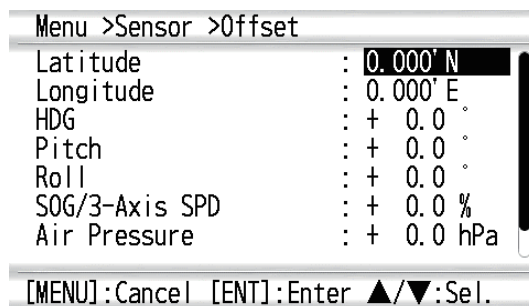
3. Select [DR Time], then select the desired time limit.
4. Close the menu.

3.3 How to Apply Offsets

The SCX-21 outputs various data, such as roll and pitch, which may require minor adjustment based on installation location and other factors. You can offset the sensor data with the following procedure.

Note: Offsets selected in the following procedure are applied only to the SCX-21; to offset data for other sensors on your vessel, access the respective sensor.

1. Open the menu.
2. Select [Sensor], then select [Offset] to show the [Offset] menu.



3. Referring to the following table, apply any necessary offsets.

Menu item	Description
[Latitude], [Longitude]	Offset the position of your own vessel. Only change this setting if you are absolutely sure of the offset value required. Typically, this adjustment should be done by a qualified technician.
[HDG]	Offset the heading value. Set a negative value to offset in the port direction, set a positive value to offset in the starboard direction. For example, if the on-screen heading shows 10° to port, and the actual heading is 0°, set the offset as [+10°].

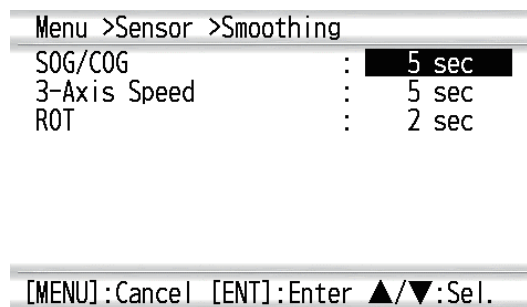
Menu item	Description
[Pitch]	Offset the pitch value. Set a negative value to lower the bow, set a positive value to raise the bow. For example, if the on-screen pitch shows +10°, and the vessel is in fact moored and in calm waters, set the offset as [-10°].
[Roll]	Offset the roll value. Set a negative value to offset in the port direction, set a positive value to offset in the starboard direction. For example, if the on-screen roll shows +0°, and the vessel is in fact listing to port at 10°, set the offset as [+10°].
[SOG/3-Axis SPD]	Offset the speed value. Set a negative value (%) to reduce the displayed speed, set a positive value (%) to increase the displayed speed.
[Air Pressure]	Offset the atmospheric air pressure value. Set a negative value to reduce the displayed pressure, set a positive value to increase the displayed pressure.
[Air Temperature]	Offset the atmospheric air temperature value. Set a negative value to reduce the displayed temperature, set a positive value to increase the displayed temperature.

4. Close the menu.

3.3.1 Data Smoothing (Damping)

Data output from the SCX-21 and input to the GP-39 can be smoothed (damped). Smoothing places a small delay on the output of data from the SCX-21, which reduces variations caused by unfavorable receiving conditions, or other factors.

1. Open the menu.
2. Select [Sensor], then select [Smoothing] to show the [Smoothing] menu.



3. Select the item whose data you want smooth, then select the smoothing time.
4. Close the menu.

To disable smoothing for any of the menu items, repeat the above procedure, then set the smoothing value to [0] (zero).

3.4 How to Setup Data Output

The SCX-21 can output NMEA 0183 sentences to other equipment on the same NMEA 0183 connection. Output can be setup for up to three channels (data ports) depending on your ship's equipment configuration.

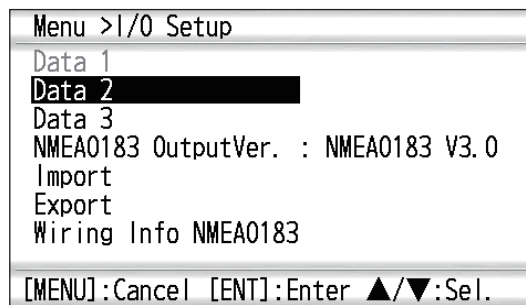
When a GP-39 is used as a dedicated display unit, the Data 1 port is not available for output. However, in this case, both Data 2 and Data 3 ports are available for data output.

When the SCX-21 is connected directly to the NMEA 0183, all three data ports can output.

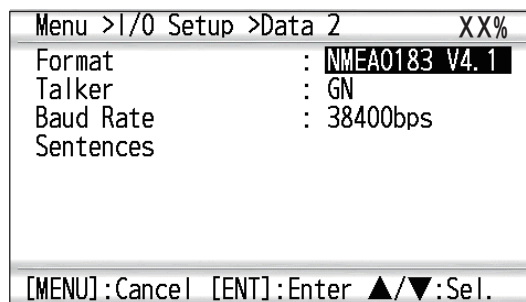
3.4.1 Setting up a data port for output

All three data ports can be setup for output with the following procedure.

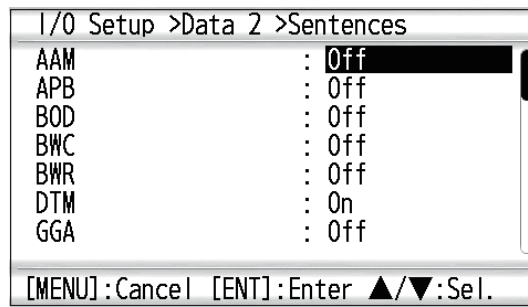
1. Open the menu.
2. Select [I/O Setup] to show the [I/O Setup] menu.



3. Select the data port you want to setup.
Note: Data 1 is not available for output when a GP-39 is connected as a dedicated display unit.



4. Select [Format], to show the NMEA 0183 versions available for output.
5. Select the NMEA 0183 version used within your ship's network.
 For configurations using a NMEA data converter to output NMEA 0183 data to a NMEA 2000 device or network, select [IEC61162-1 Ed.5].
6. Select [Talker], then select the talker to use.
7. Select [Baud Rate], then select the same baud rate as used by your NMEA 0183 network.
8. Select [Sentences] to show the sentence setup menu. This menu allows you to select which sentences you want the SCX-21 to output and the cycle at which to send each sentence.
Note: Output cycle is dependent on the sentence and available options differ.



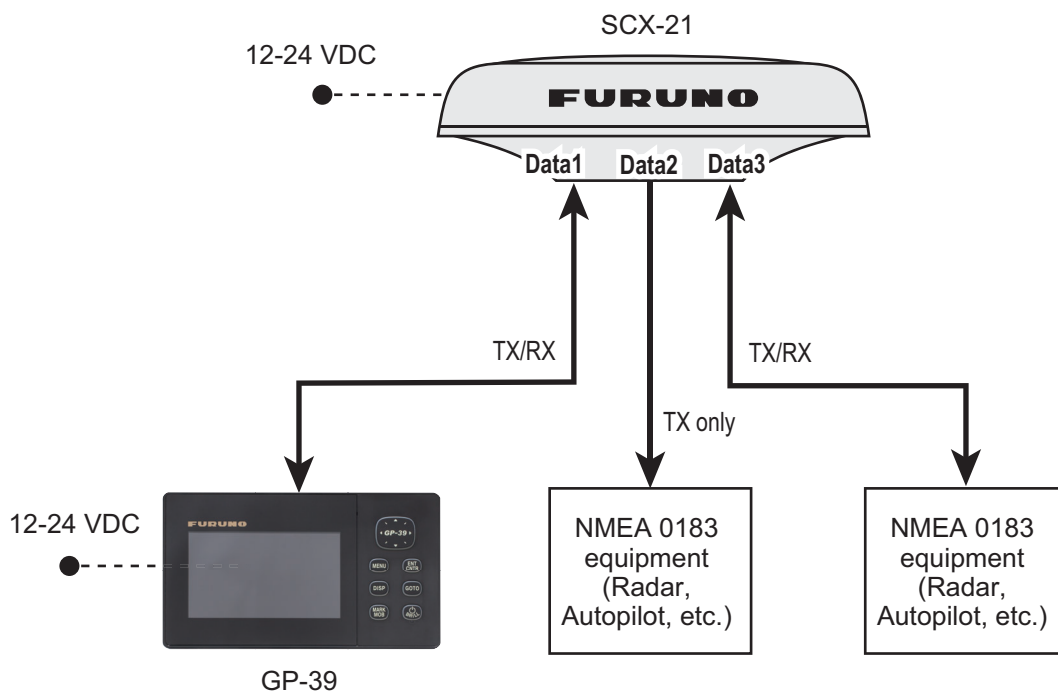
9. Select the sentence you want to setup.
10. To prevent the output of a selected sentence, select [Off]. In all other cases, select the appropriate output cycle for the sentence.
11. Repeat steps 9 and 10 as required to setup other sentences (noting output percentage utilized at the top of screen).
12. Close the menu.

3.4.2 How to setup the SCX-21 as a data relay

The GP-39 has only one SIO port, allowing only a single connection to an NMEA 0183 network. The SCX-21 can act as a “data relay”, allowing multiple data connections to the GP-39.

The following figure shows a connection example. For further details regarding the relay feature, consult your local FURUNO dealer.

Note: The SCX-21 and GP-39 require different power supplies. You cannot turn SCX-21 on/off from power button on GP-39.



Connect the external equipment to the appropriate data port (Data 1 to Data 3) on the SCX-21. Each port role is shown below;

Data 1 port: Connect the GP-39. **Receive/Send** relayed data between GP-39 and the external equipment via SCX-21.

3. INITIAL SETTINGS

Data 2 port: **Send** relayed data from GP-39 to the external equipment via SCX-21.

Data 3 port: **Receive/Send** relayed data between GP-39 and the external equipment via SCX-21.

Setup on the external equipment

Select the output data sentences you want to send to the GP-39. See the appropriate equipment's operator's manual for how to set up sentence output.

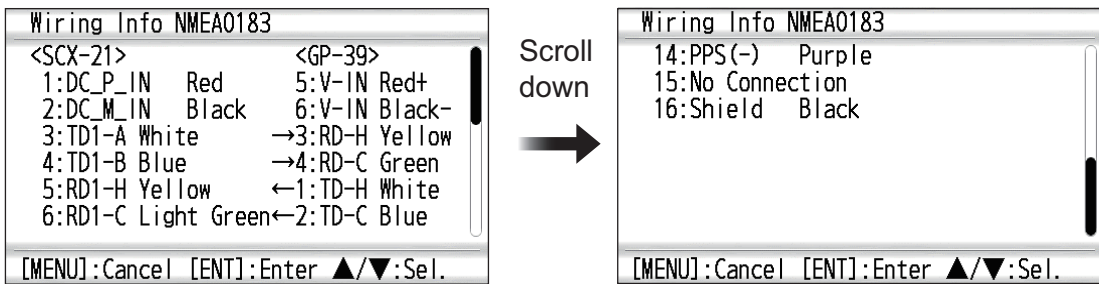
Setup on GP-39s

Set up sentence output referring to subsection 3.4.1.

Set the sentence formats which is output to an external equipment via SCX-21 from GP-39 at [NMEA0183 Output Version for GP-39] menu on [I/O Setup] menu.

3.5 Wiring Information between SCX-21 and GP-39

To show the wiring information between SCX-21 and GP-39, select [Wiring Info. NMEA 0183] menu on [I/O Setup] menu.



4. MAINTENANCE

4.1 Preventative Maintenance

The following preventative maintenance and checks are important for good performance.

Item to check	Points to check	Remedy
Connectors	Check that the connectors are firmly connected.	Reconnect loosened cables.
Cable run (cabling)	Visually check the cables for wear and tear or damage.	Consult your dealer for cable replacement.
Cover	Cleanliness of the cover	Dust can be removed with a soft cloth. Do not use chemical-based cleaners or solvents as they can remove paint/markings and cause the cover to deform.

4.2 Fuse Replacement

The SCX-21 has a fuse, located on the power cable, to protect the equipment from overcurrent, reverse polarity and equipment fault. If power cannot be turned on, check if the fuse has blown. If the fuse has blown, determine and rectify the cause before replacing the fuse.

Type	Code
FRU-60V-FU-2A	000-195-429-10

4.3 Troubleshooting

This section covers possible problems which may arise while using the SCX-21 and how to address each problem.

Problem	Possible cause	Remedy
Data is not received from the SCX-21.	Cable is disconnected, damaged, or faulty.	Check the SCX-21 cable connectors are firmly connected. Check that the cable is not damaged or severed. Also confirm that the power source of SCX-21 is powered and functioning normally. Contact your local dealer for service as required.
	Incorrect settings at the SCX-21.	Check the SCX-21 output settings are correct and the following settings for output sentences matches the display unit's specifications. <ul style="list-style-type: none">• Format• Talker• Baud rate
	Incorrect settings at the display.	Refer to the display unit's manual and adjust the settings as required.

4. MAINTENANCE

Problem	Possible cause	Remedy
Data (heading, etc.) shown on the screen is not correct.	Offsets not applied at installation, or not applied correctly.	<ul style="list-style-type: none"> • Check that the antennalocation is proper. • Check the incorrect item against other equipment by sight. Adjust the offsets as required.
GLONASS satellites do not appear on the satellite monitor.	ANT4 is selected.	Antenna number 4 cannot detect GLONASS satellites. Select a different antenna.
Diagnostic test is not completed, or results seem incorrect.	The diagnostic test is started before the SCX-21 has completed startup and obtained a position fix.	Wait until data output from the SCX-21 is stable, then retry the diagnostic test.

4.4 GP-39 Related Errors and Remedies

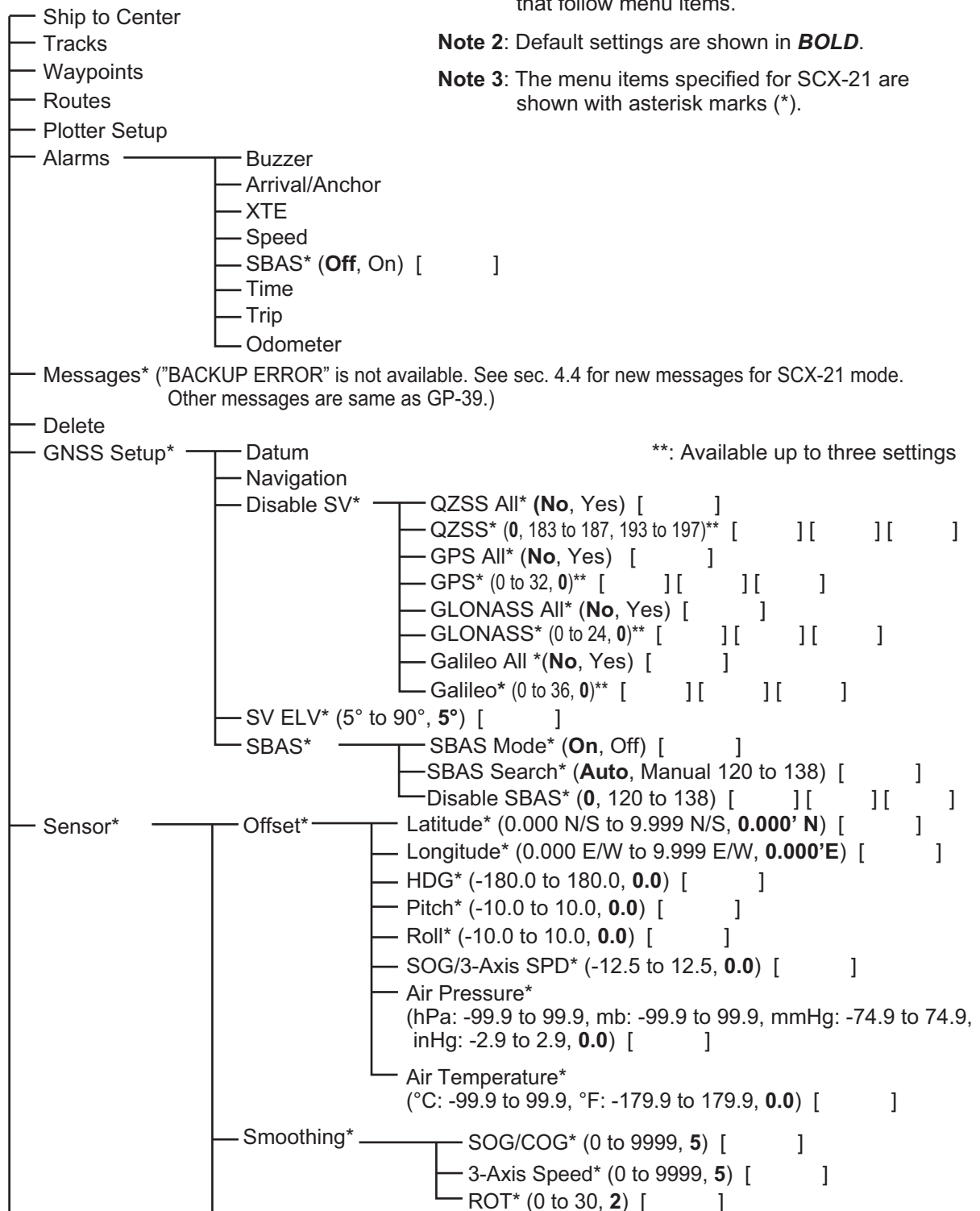
This section covers errors which may occur when the SCX-21 is connected with the GP-39 as a dedicated display. For GP-39 specific errors and remedies, see the GP-39 operator's manual.

Error text	Meaning, possible cause(s), remedies
HDG ERROR!	Meaning: Heading data has not been received from the SCX-21 for more than 5 seconds.
	Possible cause: Power is not supplied to the SCX-21. Remedy: Check that power is supplied to the SCX-21. If the problem persists, contact your local dealer.
	Possible cause: The SCX-21 is currently in diagnostic test mode, or a factory reset is in process. Remedy: Wait until the test or reset is complete.
COMMUNICATION TIMEOUT!	Meaning: Communications between the SCX-21 and GP-39 is not possible or has been interrupted.
	Possible cause: Bad/loose connection. Remedy: Check the connections between the units and re-fasten any loose connections. If the problem persists, contact your local dealer.
	Possible cause: SCX-21 is not powered. Remedy: Check that power is supplied to the SCX-21. If the problem persists, contact your local dealer.
	Possible cause: Damaged cables. Remedy: Check connecting cables for damage, replace as required. If the problem persists, contact your local dealer.
Antenna1 Error	Meaning: The indicated antenna has malfunctioned or is damaged. Remedy: Contact your local dealer for service.
Antenna2 Error	
Antenna3 Error	
Antenna4 Error	
GPS NO FIX!	Meaning: SCX-21 is unable to obtain a positioning fix for more than 80 seconds. Possible cause: Too many obstructions. Remedy: Check the area around the SCX-21 for obstructions. Move the unit if necessary.
	Possible cause: Insufficient satellites available from the selected group. Remedy: Check the settings at [GNSS Setup] → [Disable SV] and adjust as necessary.

APPENDIX 1 MENU TREE

The following menu trees are shown the menu tree of GP-39 which connected to SCX-21. Basically, the menu items are common to GP-39 when it is not connected to SCX-21. Unique menu settings when connected to the SCX21 are shown with "*" (Asterisk) mark. Otherwise, see the menu tree in the Operator's manual for GP-39 for details.

[MENU] key



Note 1: Record user settings inside the brackets ([]) that follow menu items.

Note 2: Default settings are shown in **BOLD**.

Note 3: The menu items specified for SCX-21 are shown with asterisk marks (*).

** : Available up to three settings

1

2 Continued on the following page

1

2 **Continued from the previous page**

- DR Time* (1 to 5, **5**) []
- Ship Size, ANT/CALCSPD POSN*
 - Show ANT POSN* (Displays antenna position.)
 - Ship's Width* (1.0 to 999.9, **3.0**) []
 - Ship's Length* (1.0 to 999.9, **10.0**) []
 - Ship's Height* (1.0 to 199.9, **5.0**) []
 - ANT Position X0* (-327.64 to +327.64, **0.00**) []
 - ANT Position Y0* (0.0 to 999.9, **5.0**) []
 - ANT Position Z0* (0.0 to 199.9, **2.5**) []
 - CALC-SPD-POSN Y1 (BOW)* (0.0 to 999.9, **0.0**) []
 - CALC-SPD-POSN Y2 (Stern)* (0.0 to 999.9, **10.0**) []
 - CALC-SPD-POSN Z (Height)* (0.0 to 199.9, **0.0**) []

I/O Setup*

DATA 1* (shown in grey and cannot be changed if a GP-39 is connected at any time)

- Format* (NMEA0183 V3.0) • Talker* (GN) • Baud Rate* (38400)
- Sentences*: AAM (Off), APB (Off), BOD (Off), BWC (Off), BWR (Off), DTM (Off), GGA (Off), GLL (Off), GNS (1sec), GSA (Off), GSV (Off), HDG (Off), HDT (Off), HRM (Off), POS (Off), RMB (Off), RMC (1sec), ROT (200msec), THS (200msec), VBW (1sec), VTG (1sec), XDR (1sec), XTE (Off), ZDA (1sec), GPatt (200msec), GPhve (200msec), GPimu (Off), GPmsv (On)

Note: SCX-21 default settings when GP-39 has never been connected.

- Format* (**NMEA0183 V4.1**) • Talker* (**GN**) • Baud Rate* (**38400**)
- Sentences*: AAM (**Off**), APB (**Off**), BOD (**Off**), BWC (**Off**), BWR (**Off**), DTM (**On**), GGA (**Off**), GLL (**Off**), GNS (**1sec**), GSA (**Off**), GSV (**1sec**), HDG (**Off**), HDT (**100msec**), HRM (**Off**), POS (**Off**), RMB (**Off**), RMC (**Off**), ROT (**200msec**), THS (**100msec**), VBW (**1sec**), VTG (**1sec**), XDR (**Off**), XTE (**Off**), ZDA (**1sec**), GPatt (**100msec**), GPhve (**100msec**), GPimu (**Off**), GPmsv (**Off**)

DATA 2*

- Format* (NMEA0183 V1.5, NMEA0183 V2.0, NMEA0183 V3.0, **NMEA0183 V4.1**, IEC61162-1 Ed.5) []
- Talker* (GP, GL, GA, **GN**, HE, HN, HC) []
- Baud Rate* (4800, **38400**) []
- Sentences*;
- AAM (**Off**, 1sec) []
- APB (**Off**, 1sec) []
- BOD (**Off**, 1sec) []
- BWC (**Off**, 1sec) []
- BWR (**Off**, 1sec) []
- DTM (Off, **On**) []
- GGA (**Off**, 100msec, 200msec, 1sec, 2sec) []
- GLL (**Off**, 100msec, 200msec, 1sec, 2sec) []
- GNS (Off, 100msec, 200msec, **1sec**, 2sec) []
- GSA (**Off**, 1sec, 2sec) []
- GSV (Off, **1sec**, 2sec) []
- HDG (**Off**, 20msec, **25msec**, 100msec, 200msec, 1sec, 2sec) []
- HDT (Off, 20msec, **25msec**, 100msec, 200msec, 1sec, 2sec) []
- HRM (**Off**, 20msec, 25msec, 100msec, 200msec) []
- POS (**Off**, 3sec, 30sec) []
- RMB (**Off**, 1sec) []
- RMC (**Off**, 100msec, 200msec, 1sec, 2sec) []
- ROT (**Off**, 20msec, 25msec, 100msec, 200msec, 1sec, 2sec) []
- THS (**Off**, 20msec, 25msec, 100msec, 200msec, 1sec, 2sec) []
- VBW (**Off**, 1sec, 2sec) []
- VTG (Off, **1sec**, 2sec) []
- XDR (**Off**, 1sec, 2sec) []
- XTE (**Off**, 1sec) []
- ZDA (Off, **1sec**, 2sec) []
- GPatt (**Off**, 20msec, 25msec, 100msec, 200msec, 1sec, 2sec) []
- GPhve (**Off**, 20msec, 25msec, 100msec, 200msec, 1sec, 2sec) []
- GPimu (**Off**, 25msec, 100msec, 200msec, 1sec, 2sec) []
- GPmsv (**Off**, On) []

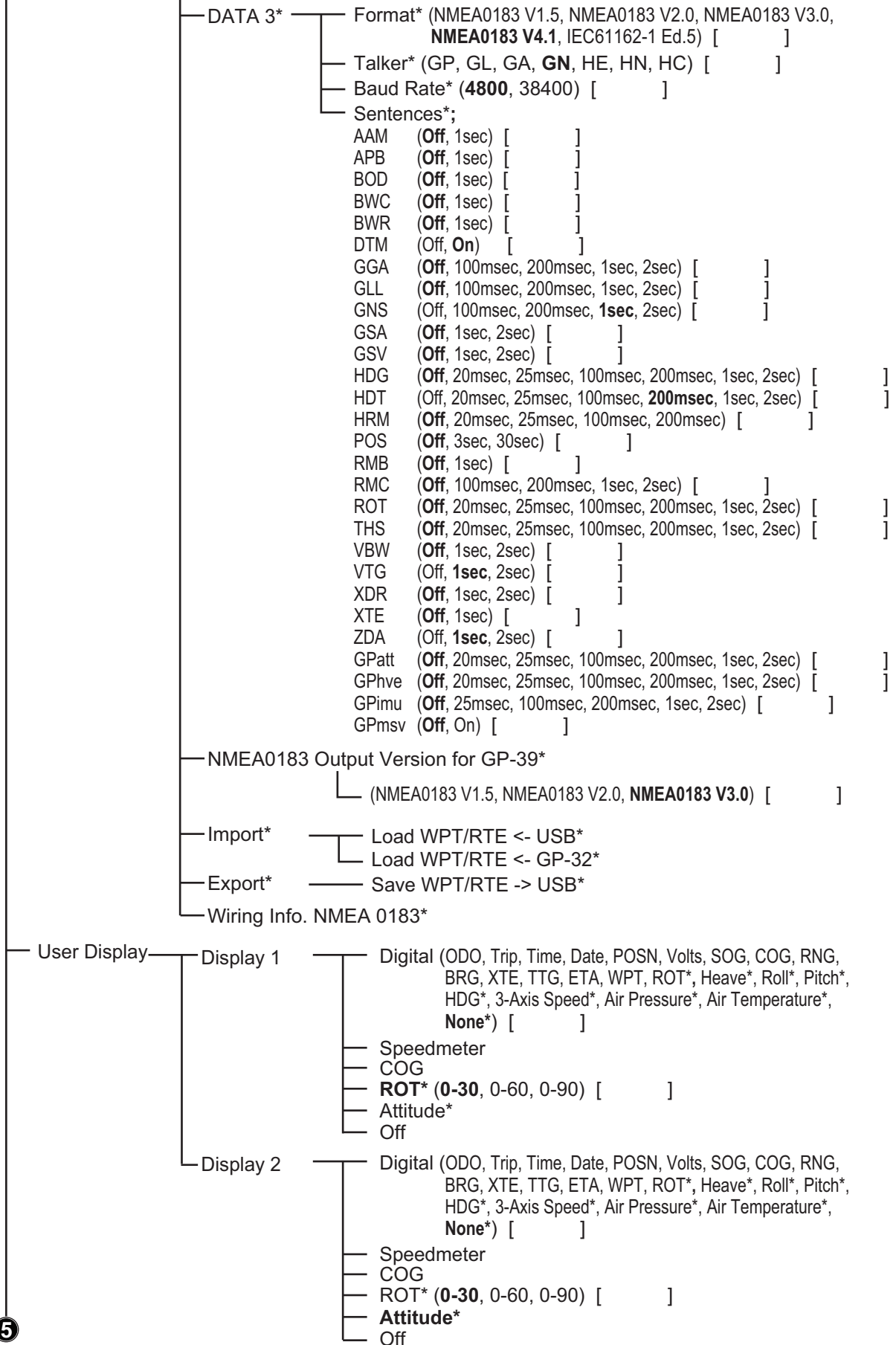
3

4

Continued on the following page

3

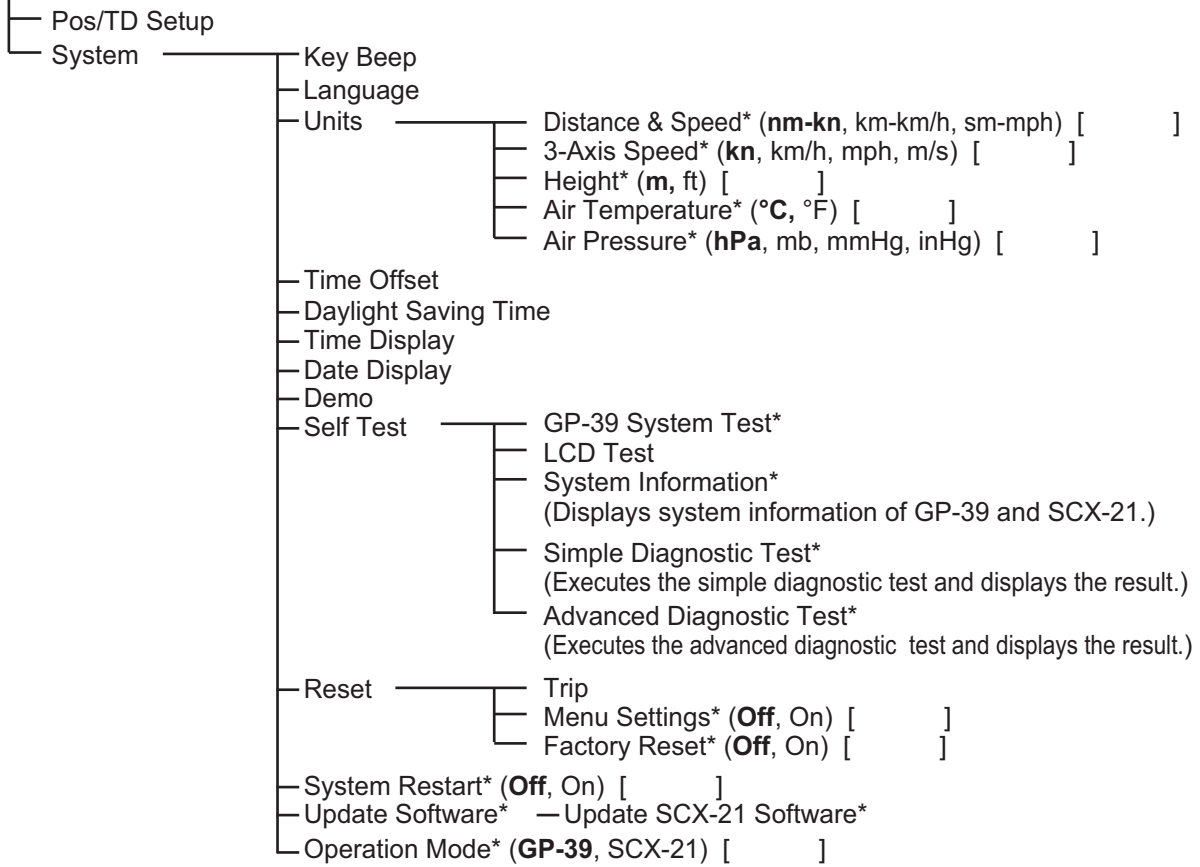
4 *Continued from the previous page*



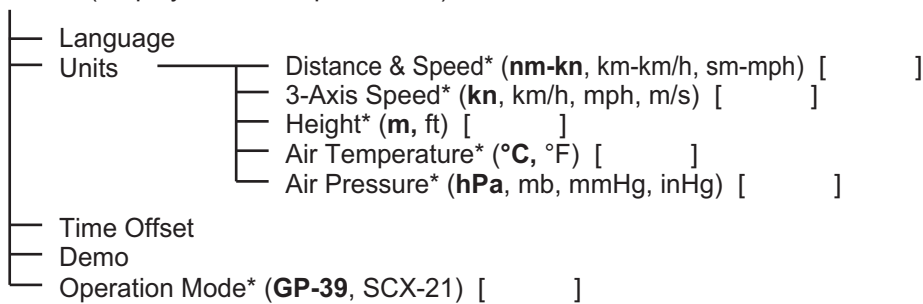
5

Continued on the following page

⑤ Continued from the previous page



Installation (Displayed at startup of GP-39)



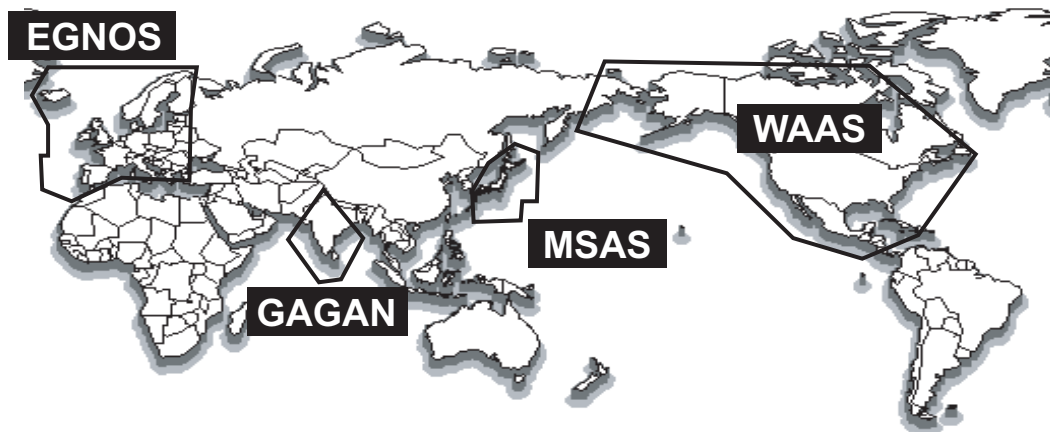
APPENDIX 2 GEODETIC CHART CODES

001: WGS84		
002: WGS72		
003: TOKYO	: Mean Value (Japan, Korea & Okinawa)	
004: NORTH AMERICAN 1927	: Mean Value (CONUS)	
005: EUROPEAN 1950	: Mean Value	
006: AUSTRALIAN GEODETIC 1984	: Australia & Tasmania	
007: ADINDAN	: Mean Value (Ethiopia & Sudan)	
008: ADINDAN	: Ethiopia	
009: ADINDAN	: Mali	
010: ADINDAN	: Senegal	
011: ADINDAN	: Sudan	
012: AFG	: Somalia	
013: AIN EL ABD 1970	: Bahrain Is.	
014: ANNA 1 ASTRO 1965	: Cocos Is.	
015: ARC 1950	: Mean Value	
016: ARC 1950	: Botswana	
017: ARC 1950	: Lesotho	
018: ARC 1950	: Malawi	
019: ARC 1950	: Swaziland	
020: ARC 1950	: Zaire	
021: ARC 1950	: Zambia	
022: ARC 1950	: Zimbabwe	
023: ARC 1960	: Mean Value (Kenya & Tanzania)	
024: ARC 1960	: Kenya	
025: ARC 1960	: Tanzania	
026: ASCENSION IS. 1958	: Ascension Is.	
027: ASTRO BEACON "E"	: Iwo Jima Is.	
028: ASTRO B4 SOR. ATOLL	: Tern Is.	
029: ASTRO POS 71/4	: St. Helena Is.	
030: ASTRONOMIC STATION 1952	: Marcus Is.	
031: AUSTRALIAN GEODETIC 1966	: Australia & Tasmania	
032: BELLEVUE (IGN)	: Efate & Erromango Is.	
033: BERMUDA 1957	: Bermuda Is.	
034: BOGOTA OBSERVATORY	: Columbia	
035: CAMPO INCHAUSPE	: Argentina	
036: CANTON IS. 1966	: Phoenix Is.	
037: CAPE	: South Africa	
038: CAPE CANAVERAL	: Mean Value (Florida & Bahama Is.)	
039: CARTHAGE	: Tunisia	
040: CHATHAM 1971	: Chatham Is. (New Zealand)	
041: CHUA ASTRO	: Paraguay	
042: CORREGO ALEGRE	: Brazil	
043: DJAKARTA (BATAVIA)	: Sumatra Is. (Indonesia)	
044: DOS 1968	: Gizo Is. (New Georgia Is.)	
045: EASTER IS. 1967	: Easter Is.	
046: EUROPEAN 1950 (Cont'd)	: Western Europe	
047: EUROPEAN 1950 (Cont'd)	: Cyprus	
048: EUROPEAN 1950 (Cont'd)	: Egypt	
049: EUROPEAN 1950 (Cont'd)	: England, Scotland, Channel & Shetland Is.	
050: EUROPEAN 1950 (Cont'd)	: England, Ireland, Scotland & Shetland Is.	
051: EUROPEAN 1950 (Cont'd)	: Greece	
052: EUROPEAN 1950 (Cont'd)	: Iran	
053: EUROPEAN 1950 (Cont'd)	: Italy, Sardinia	
054: EUROPEAN 1950 (Cont'd)	: Italy, Sicily	
055: EUROPEAN 1950 (Cont'd)	: Norway & Finland	
056: EUROPEAN 1950 (Cont'd)	: Portugal & Spain	
057: EUROPEAN 1979	: Mean Value	
058: GANDAJIKA BASE	: Republic of Maldives	
059: GEODETIC DATUM 1949	: New Zealand	
060: GUAM 1963	: Guam Is.	
061: GUX 1 ASTRO	: Guadalcanal Is.	
062: HJORSEY 1955	: Iceland	
063: HONG KONG 1963	: Hong Kong	
064: INDIAN	: Thailand & Vietnam	
065: INDIAN	: Bangladesh, India & Nepal	
066: IRELAND 1965	: Ireland	
067: ISTS 073 ASTRO 1969	: Diego Garcia	
068: JOHNSTON IS. 1961	: Johnston Is.	
069: KANDAWALA	: Sri Lanka	
070: KERGUELEN IS.	: Kerguelen Is.	
071: KERTAU 1948	: West Malaysia & Singapore	
072: LA REUNION	: Mascarene Is.	
073: L. C. 5 ASTRO	: Cayman Brac Is.	
074: LIBERIA 1964	: Liberia	
075: LUZON	: Philippines (excl. Mindanao Is.)	
076: LUZON	: Mindanao Is.	
077: MAHE 1971	: Mahe Is.	
078: MARCO ASTRO	: Salvage Islands	
079: MASSAWA	: Eritrea (Ethiopia)	
080: MERCHICH	: Morocco	
081: MIDWAY ASTRO 1961	: Midway Is.	
082: MINNA	: Nigeria	
083: NAHRWAN	: Masirah Is. (Oman)	
084: NAHRWAN	: United Arab Emirates	
085: NAHRWAN	: Saudi Arabia	
086: NAMIBIA	: Namibia	
087: MAPARIMA, BWI	: Trinidad & Tobago	
088: NORTH AMERICAN 1927	: Western United States	
089: NORTH AMERICAN 1927	: Eastern United States	
090: NORTH AMERICAN 1927	: Alaska	
091: NORTH AMERICAN 1927	: Bahamas (excl. San Salvador Is.)	
092: NORTH AMERICAN 1927	: Bahamas, San Salvador Is.	
093: NORTH AMERICAN 1927 (Cont'd)	: Canada (incl. Newfoundland Is.)	
094: NORTH AMERICAN 1927 (Cont'd)	: Alberta & British Columbia	
095: NORTH AMERICAN 1927 (Cont'd)	: East Canada	
096: NORTH AMERICAN 1927 (Cont'd)	: Manitoba & Ontario	
097: NORTH AMERICAN 1927 (Cont'd)	: Northwest Territories & Saskatchewan	
098: NORTH AMERICAN 1927 (Cont'd)	: Yukon	
099: NORTH AMERICAN 1927 (Cont'd)	: Canal Zone	
100: NORTH AMERICAN 1927 (Cont'd)	: Caribbean	
101: NORTH AMERICAN 1927 (Cont'd)	: Central America	
102: NORTH AMERICAN 1927 (Cont'd)	: Cuba	
103: NORTH AMERICAN 1927 (Cont'd)	: Greenland	
104: NORTH AMERICAN 1927 (Cont'd)	: Mexico	
105: NORTH AMERICAN 1983	: Alaska	
106: NORTH AMERICAN 1983	: Canada	
107: NORTH AMERICAN 1983	: CONUS	
108: NORTH AMERICAN 1983	: Mexico, Central America	
109: OBSERVATORIO 1966	: Corvo & Flores Is. (Azores)	
110: OLD EGYPTIAN 1930	: Egypt	
111: OLD HAWAIIAN	: Mean Value	
112: OLD HAWAIIAN	: Hawaii	
113: OLD HAWAIIAN	: Kauai	
114: OLD HAWAIIAN	: Maui	
115: OLD HAWAIIAN	: Oahu	
116: OMAN	: Oman	
117: ORDNANCE SURVEY OF GREAT BRITAIN 1936	: Mean Value	
118: ORDNANCE SURVEY OF GREAT BRITAIN 1936	: England	
119: ORDNANCE SURVEY OF GREAT BRITAIN 1936	: England, Isle of Man & Wales	
120: ORDNANCE SURVEY OF GREAT BRITAIN 1936	: Scotland & Shetland Is.	
121: ORDNANCE SURVEY OF GREAT BRITAIN 1936	: Wales	
122: PICO DE LAS NIVIES	: Canary Is.	
123: PITCAIRN ASTRO 1967	: Pitcairn Is.	
124: PROVISIONAL SOUTH CHILEAN 1963	: South Chile (near 53°S)	
125: PROVISIONAL SOUTH AMERICAN 1956	: Mean Value	
126: PROVISIONAL SOUTH AMERICAN 1956	: Bolivia	
127: PROVISIONAL SOUTH AMERICAN 1956	: Chile-Northern Chile (near 19°S)	
128: PROVISIONAL SOUTH AMERICAN 1956	: Chile-Southern Chile (near 43°S)	
129: PROVISIONAL SOUTH AMERICAN 1956	: Columbia	
130: PROVISIONAL SOUTH AMERICAN 1956	: Ecuador	
131: PROVISIONAL SOUTH AMERICAN 1956	: Guyana	
132: PROVISIONAL SOUTH AMERICAN 1956	: Peru	
133: PROVISIONAL SOUTH AMERICAN 1956	: Venezuela	
134: PUERTO RICO	: Puerto Rico & Virgin Is.	
135: QATAR NATIONAL	: Qatar	
136: QORNOQ	: South Greenland	
137: ROME 1940	: Sardinia Is.	
138: SANTA BRAZ	: Sao Miguel, Santa Maria Is. (Azores)	
139: SANTO (DOS)	: Espirito Santo Is.	
140: SAPPER HILL 1943	: East Falkland Is.	
141: SOUTH AMERICAN 1969	: Mean Value	
142: SOUTH AMERICAN 1969	: Argentina	
143: SOUTH AMERICAN 1969	: Bolivia	
144: SOUTH AMERICAN 1969	: Brazil	
145: SOUTH AMERICAN 1969	: Chile	
146: SOUTH AMERICAN 1969	: Columbia	
147: SOUTH AMERICAN 1969	: Ecuador	
148: SOUTH AMERICAN 1969	: Guyana	
149: SOUTH AMERICAN 1969	: Paraguay	
150: SOUTH AMERICAN 1969	: Peru	
151: SOUTH AMERICAN 1969	: Trinidad & Tobago	
152: SOUTH AMERICAN 1969	: Venezuela	
153: SOUTH ASIA	: Singapore	
154: SOUTHEAST BASE	: Porto Santo & Madeira Is.	
155: SOUTHWEST BASE	: Faial, Graciosa, Pico, Sao Jorge & Terceira Is.	
156: TIMBALAI 1948	: Brunei & East Malaysia (Sarawak & Sabah)	
157: TOKYO	: Japan	
158: TOKYO	: Korea	
159: TOKYO	: Okinawa	
160: TRISTAN ASTRO 1968	: Tristan da Cunha	
161: VITI LEVU 1916	: Viti Levu Is. (Fiji Is.)	
162: WAKE-ENIWETOK 1960	: Marshall Is.	
163: ZANDERIJ	: Surinam	
164: BUKIT RIMPAH	: Bangka & Belitung Is. (Indonesia)	
165: CAMP AREA ASTRO	: Camp Mowuro Area, Antarctica	
166: G. SEGARA	: Kalimantan Is. (Indonesia)	
167: HERAT NORTH	: Afghanistan	
168: HU-TZU-SHAN	: Taiwan	
169: TANANARIVE OBSERVATORY 1925	: Madagascar	
170: YACARE	: Uruguay	
171: RT-90	: Sweden	
172: CK42 (PULKOVO 1942)	: Russia	
173: FINNISH KKJ	: Finland	
174: PZ90	: Russia	
175: CK95	: Russia	

APPENDIX 3 WHAT IS SBAS?

A satellite-based augmentation system, or SBAS (Satellite Based Augmentation System), is an augmentation system that uses additional messages from satellite broadcasts to support regional and wide area augmentation. SBAS provides GPS signal corrections to SBAS users, for even better position accuracy, through the GPS error corrections that are widely broadcasted from the geostationary satellite.

SBAS is used in America, Europe, Japan and India. These four systems; WAAS, EGNOS, MSAS and GAGAN, have interoperability. The illustration below shows the coverage area for each provider. This manual uses "SBAS" for these four providers generically.



Provider	Satellite type	Longitude	Satellite No.
WAAS (Wide Area Augmentation System, America)	Intelsat Galaxy XV	133°W	135
	TeleSat Anik F1R	107.3°W	138
	Inmarsat-4-F3	98°W	133
EGNOS (Euro Geostationary Navigation Overlay Service, Europe)	Inmarsat-3-F2/AOR-E	15.5°W	120
	Artemis	21.5°E	124
	Inmarsat-4-F2	25°E	126
	SES-5	5°E	136
MSAS (Multi-Functional Satellite Augmentation System, Japan)	MTSAT-1R	140°E	129
	MTSAT-2	145°E	137
GAGAN (GPS And GEO Augmented Navigation, India)	GSAT-8	55°E	127
	GSAT-10	83°E	128

**SPECIFICATIONS OF SATELLITE COMPASS
SCX-21**

1 GENERAL

- 1.1 Receiving frequency 1575.42 MHz (GPS/Galileo/QZSS/SBAS),
1602.5625 MHz (GLONASS)
- 1.2 Tracking code C/A code (GPS/QZSS/SBAS), E1B (Galileo), L10F (GLONASS)
- 1.3 Attitude resolution Heading/ Roll/ Pitch
1.0° rms (static), 0.5° rms (dynamic)
- 1.4 Tracking bearing 45°/s
- 1.5 Heave accuracy 5 cm (1σ)
- 1.6 Attitude setting time 60 s approx.
- 1.7 Positional accuracy (dependent on ionospheric activity and multipath)
 - GNSS 5 m approx. (2drms, HDOP<4)
 - MSAS 4 m approx. (2drms, HDOP<4)
 - WAAS 3 m approx. (2drms, HDOP<4)
- 1.8 Position fixing time 50 s approx.
- 1.9 Update interval Attitude: 50 Hz max, Position: 10 Hz max.
- 1.10 Ship's speed accuracy
 - SOG 0.02 kn rms (tracking satellites 5 or more)
0.2 kn rms (tracking satellites 3 or 4)
 - VBW (speed on ground) 0.02 kn rms (tracking satellites 5 or more, at antenna position)
0.08 kn rms (tracking satellites 5 or more, at another position)
2.0% of ship's speed or 0.2 kn whichever is the greater
(tracking satellites 3 or 4)
- 1.11 Atmosphere sensor
 - Pressure 850 to 1100 hPa (temperature range: 0°C to +50°C),
accuracy: ±1.0 hPa (offset adjustment)
 - Temperature -20°C to +55°C (relative wind: 4 kn or more),
accuracy: ±2.0°C (offset adjustment)
- 1.12 Timing (1PPS) accuracy 50 μs

2 INTERFACE

- 2.1 Number of ports NMEA0183: Tx 3 channel, Rx 2 channel
PPS: 1 channel, RS-485, rising edge detecting
- 2.2 Data sentences
 - Input AAM*, APB*, BOD*, BWC*, BWR*, RMB*, TLL*, XTE*
 - Output (talker: GN/GA/GL/GP/HC/HE, default: GN)
AAM*, APB*, BOD*, BWC*, BWR*, DTM, GGA, GLL, GNS, GSA,
GSV, HDG, HDT, HRM, POS, RMB*, RMC**, ROT, THS, VBW,
VTG, XDR, XTE*, ZDA
 - Output (talker: SD) TLL*
- 2.3 Output P sentences
 - PFEC GPatt, GPhve, GPimu, pidat, SDmrk*, GPmsv, hdcom

*: GP-39 required

** : Speed output rate at 200 ms (5 Hz) max. with 100 ms (10 Hz) set.

3 POWER SUPPLY

12-24 VDC (10.8-31.2V): 0.2-0.1 A

4 ENVIRONMENTAL CONDITIONS

4.1 Ambient temperature -25°C to +55°C (storage: -30°C to +70°C)

4.2 Relative humidity 95% or less at +40°C

4.3 Degree of protection IP56

4.4 Vibration IEC 60945 Ed.4

5 UNIT COLOR

N9.5




重要なお知らせ




- マニュアル記載内容の一部または全部の転載、複写は著作権者である当社の許諾が必要です。無断転載することを固くお断りします。
- 製品の仕様ならびにマニュアルの内容は予告なく変更することがあります。
- 画面に表示される内容は、システムの設定や動作状態によって異なります。したがって、マニュアル内に掲載してあるイラストは画面の表示と異なる場合があります。
- お客様がマニュアルの内容に従わずに本機または本ソフトウェアを取り扱われたり、または当社および当社指定の者以外の第三者により改造・変更されることに起因して生じる障害等については、当社は責任を負いかねますのでご了承ください。
- お買い上げの機器を廃棄するときは、産業廃棄物として地方自治体の条例または規則に従って処理してください。詳しくは、各地方自治体に問い合わせてください。
- マニュアルに記載されている社名、製品名は、一般に各開発メーカーの登録商標または商標です。

⚠ 安全にお使いいただくために









必ずお守りください

お使いになる人や他の人への危害、財産への損害を未然に防止するため、以下のことを必ずお守りください。表示内容を見逃して誤った使い方をしたときに生じる危害や、損害の程度を本書では次の表示で区分し、説明していますので十分に気をつけてください。






 危険	この表示は「取扱いを誤った場合、死亡または重傷を負う危険が切迫して生じることが想定される」内容です。
 警告	この表示は「取扱いを誤った場合、死亡または重傷を負う可能性が想定される」内容です。
 注意	この表示は「取扱いを誤った場合、中程度または軽傷の傷害、あるいは財産への損害を負う可能性が想定される」内容です。





 「注意喚起」の内容  「禁止」の内容  「強制」の内容

装備上の安全事項

 警告	 注意						
 機器を装備する前には必ず配電盤の電源を切ること。 電源を入れたまま工事を行うと、感電や火災の事故が起こる恐れがあります。	 次のコンパス安全距離を確保すること。 <table border="1"><thead><tr><th></th><th>標準コンパス</th><th>操舵コンパス</th></tr></thead><tbody><tr><td>SCX-21 (サテライトコンパス)</td><td>0.30m</td><td>0.30m</td></tr></tbody></table>		標準コンパス	操舵コンパス	SCX-21 (サテライトコンパス)	0.30m	0.30m
	標準コンパス	操舵コンパス					
SCX-21 (サテライトコンパス)	0.30m	0.30m					
 当社または当社の指定する代理店の技術者以外はカバーを外さないこと。 誤って触れると、感電の原因になります。	 アース(接地)は確実に取り付けてください。 接地が悪いと感電の恐れや他の機器から干渉を受ける恐れがあります。						
 電源ケーブルは必ず指定のもの(工事材料として支給しているもの)を使用すること。 指定外のものを使用すると、火災の原因になる恐れがあります。							
 分解・改造は絶対にしないこと。 火災、感電、ケガの原因になります。							

取扱い上の安全事項

 警告	
	当社または当社の指定する代理店の技術者以外はカバーを外さないこと。 誤って触れると、感電の原因になります。
	分解・改造は絶対にしないこと。 火災、感電、ケガの原因になります。
	発煙・発火のときは、配電盤の電源スイッチを切ること。 そのまま使用すると火災の恐れがあります。 必ずお買い上げ店へ連絡してください。
	ヒューズは規定のものを使用すること。 規定外のものを使った場合、重大な故障を引き起こす恐れがあります。

 注意	
	電源を入れた状態で、信号ケーブルコネクタの抜き差しを行わないでください。 本機が故障する恐れがあります。
	本機は航海に役立つ各種の情報を提供します。しかし、どのような場合でも単一の航法に頼るのは問題です。他の航海機器も併用し、人間によるワッチも怠らないようにしてください。
	本機に表示される情報は、直接航海の用に供するためのものではありません。詳細な情報および最新の情報については、海図を参照してください。

目次

はじめに	vi
システム構成	vii
構成表	viii
1章 取付け	1-1
1.1 装備上の注意	1-1
1.2 平面装備	1-2
1.2.1 必要な工具	1-2
1.2.2 取付け	1-2
1.3 ポールマウント装備	1-4
1.3.1 装備上の注意	1-4
1.3.2 必要な工具	1-4
1.3.3 ポールマウントキットの組立て	1-5
1.3.4 取付け	1-5
1.4 アンテナベース装備 (オプション)	1-7
1.4.1 装備上の注意	1-8
1.4.2 必要な工具	1-8
1.4.3 取付け	1-8
1.5 鳥除け (オプション)	1-11
1.6 積雪カバー (オプション)	1-11
1.7 結線	1-12
1.7.1 ケーブルコネクタの防水処理	1-12
1.7.2 使用しないコネクタの防水処理	1-12
2章 操作の概要	2-1
2.1 電源のオン/オフ	2-1
2.2 SCX-21 の設定の表示/変更	2-1
2.2.1 キーの使い方	2-1
2.2.2 メニューの使い方	2-2
2.2.3 SCX-21 表示部の設定方法	2-3
2.3 表示モード	2-3
2.3.1 衛星モニター画面	2-4
2.3.2 方位画面	2-6
2.3.3 3軸船速画面	2-6
2.3.4 回頭角速度画面	2-7
2.3.5 姿勢画面	2-7
2.3.6 ユーザー画面の設定方法	2-8
2.4 システム情報の表示方法とセルフテストの実施	2-8
2.4.1 システム情報の表示	2-8
2.4.2 簡易セルフテストの実施	2-9
2.4.3 詳細セルフテストの実施	2-9
3章 装備後の設定	3-1
3.1 船体情報の設定	3-1

3.2	衛星の設定	3-3
3.2.1	使用禁止衛星の設定	3-3
3.2.2	SBAS 設定	3-4
3.2.3	仰角マスクの設定	3-5
3.2.4	デッドレコニング（推測航法）の時間設定	3-5
3.3	補正值の設定	3-6
3.3.1	受信データの平滑化	3-7
3.4	データ出力設定	3-8
3.4.1	出力データポートの設定	3-8
3.4.2	データ接続の設定	3-10
3.5	SCX-21 と GP-39 の接続情報	3-11
4 章	保守	4-1
4.1	保守点検	4-1
4.2	ヒューズの交換	4-1
4.3	対処：トラブルシューティング	4-2
4.4	GP-39 関連のエラーと対処法	4-2
追補 1	メニューツリー	AP-1
追補 2	測地系リスト	AP-5
追補 3	SBAS のサービス範囲	AP-6
仕様		SP-1
パッキングリスト		A-1
外寸図		D-1
相互結線図		S-1

はじめに

このたびは、当社製品をお買い求めいただき、誠にありがとうございます。当社は1948年の創業以来、数々の船用電子機器を製造販売しており、性能、品質、信頼性については全世界のユーザーの方々から高い評価を受けています。本機は、厳しい品質管理のもとで設計・製造されていますので、性能・耐久性ともに安心してご使用いただけます。この取扱説明書をよくお読みいただき、本来の性能を十分発揮させていただきますようお願い申し上げます。

特徴

本機は、当社独自のコア技術による動揺に強い安定性を備え、豊富な情報出力が可能な小型サテライトコンパスTMです。陸上、海上の両方に対して幅広い用途で使用することができます。

主な特徴は、次のとおりです。

- ヘディング精度：0.5°（静止時は1.0°）
- レーダーのTT、エコートレイル、AIS、オートパイロット、スキャニングソナーの方位センサーとして最適
- 位置情報の精度が向上
- 船の動きを補正するデジタル形式のピッチ、ロールの出力が可能。
- ヒープ出力が可能なことより、動揺補正も実現。
- 姿勢角静定まで60秒
- NMEA 0183 対応機器
- プレジャー機器にも適した魅力的な外観をもつ筐体
- GP-39 を専用表示器として使用可

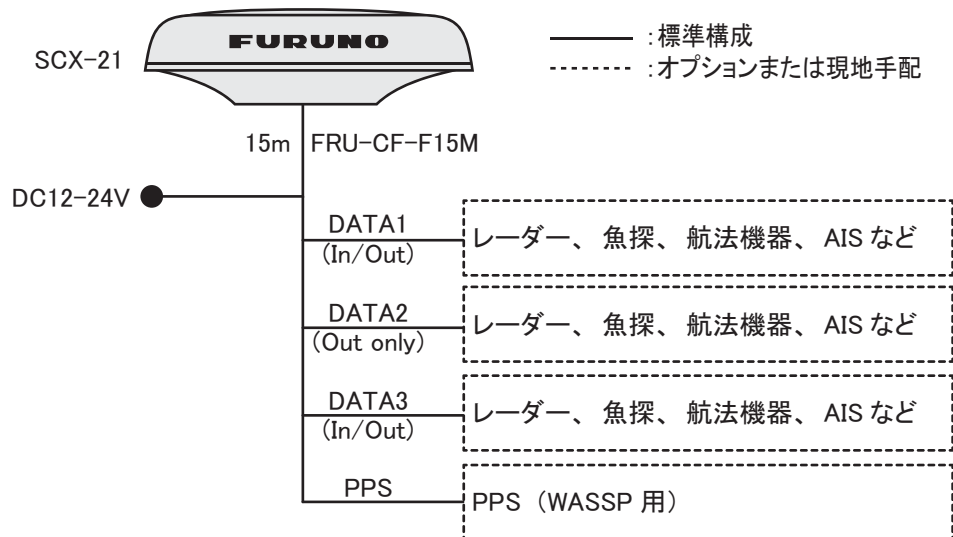
プログラム番号

ユニット	名称	プログラム番号
空中線部	STARTER	2051599 01.xx
	BOOTER	2051600 01.xx
	APL	2051601 01.xx
	GNSS (1 to 4)	48505230 xx

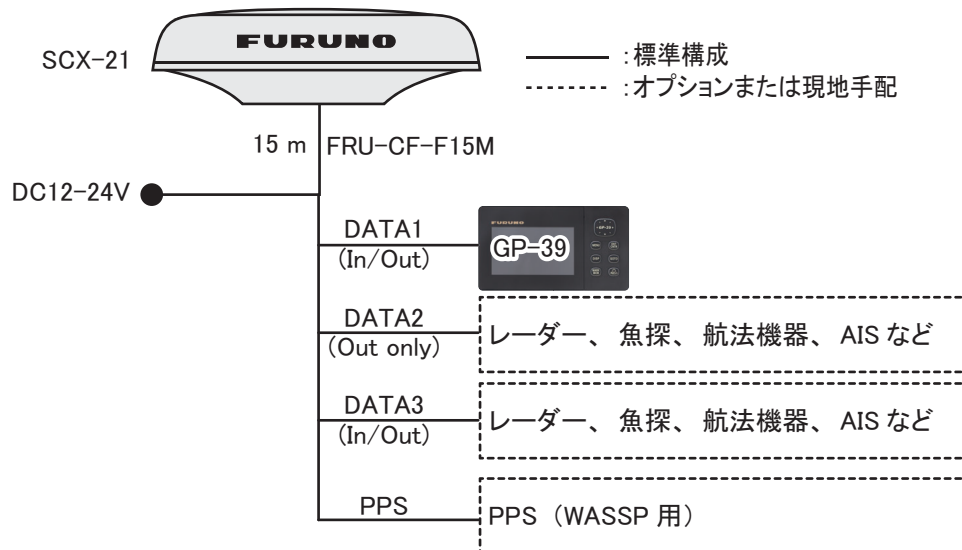
xx：軽微な変更の進度

システム構成

センサーとして使用する場合



GP-39 を指示器として接続する場合



構成表

標準構成

名称	型式	コード番号	数量	備考
サテライトコンパス	SCX-21	-	1	NMEA 0183 用
予備品	SP20-01901	001-556-110	1	ヒューズ、2 個
工材	CP20-04630	000-036-771	1 (選択)	ポールマウントキット用、ケーブル FRU-CF-F15M (15m) 含む
	CP20-04640	000-036-772		ポールマウントキット用 (マスト取付金具 CP20-04605 ^{*1} 付)、ケーブル FRU-CF-F15M (15m) 含む ^{*1} : 取付補助金具、パイプ、ホース クランプ φ25 ~ 35mm、含む

オプション構成

名称	型式	コード番号	数量
ケーブル組品	FRU-CF-F15M	001-555-560	
	FRU-CF-F30M	001-555-570	
直型アンテナベース	NO.13-QA330	001-111-910-10	
ポールマウントキット ^{*2}	CP20-04603	001-556-200	
マスト取付金具 ^{*2}	CP20-04605	001-556-240	ポールマウントキット (CP20-04603) 用
ホースクランプ (大)	OP20-52	001-556-260	マスト適合径 φ35 ~ 50mm 用
鳥除け	OP20-54	001-556-280	2 本
積雪カバーキット	OP20-53	001-556-320	

^{*2} : 装備場所やシステム構成に応じた適切なキットを選択して下さい。

1 章 取付け

ご 注 意

塗料、防錆剤、接点復活剤などは有機溶剤を含んでいるので、機器の塗装部分や樹脂部品には使用しないでください。

機器の塗装部分や樹脂部品を劣化させることがあります。特に、樹脂のコネクタに使用すると破損する恐れがありますので絶対に使用しないでください。

本機は次のような装備方法で取り付けることができます。詳細は巻末の外寸図を参照してください。

- 平面装備（底面からの固定）→1.2 節
- ポールマウント →1.3 節
- アンテナベース装備 →1.4 節、オプション

空中線ケーブルは NMEA 0183 用のケーブル（FRU-CF-F15/30M）を使用します。

1.1 装備上の注意

取付け場所の選定には、以下の点に注意してください。

- 空中線ケーブル長を考慮して、装備位置を選定してください。
- 本機の重量に耐えうる強度のある取付位置を選定してください（巻末の外寸図参照）。
- 保守点検のため、空中線部の周囲には十分なサービス空間を設けること。サービス空間寸法については、巻末の外寸図を参照してください。
- インマルサット F/FB の送信アンテナからは、少なくとも 3m 離して、送信ビーム内に入る場所には設置しないでください。
- 本機の空中線ケーブルと無線機のケーブルをまとめて配線しないようにしてください。このようにケーブル装備しても、ノイズ低減が不十分な場合は、無線機でスケルチを調整してください。
- 周囲に大きな電波の遮蔽物がある場所には、設置しないでください。
- 空中線内部には GPS センサーを内蔵しているため、局所的な振動や衝撃（船のエンジンによる共振や、マストによる共振など）を受けにくい場所に取り付けてください。
- コンパス安全距離を確保して、磁気コンパスに誤差が発生しないようにしてください。

空中線部の設置場所

空中線部を設置する際には、巻末の装備要領図面 (Dwg. No. C7286-Y01-*) を参照して、適切な場所を決定してください。

1.2 平面装備

空中線部単体を平面に取り付けることができます。このとき、取付位置の下側からネジで固定します。

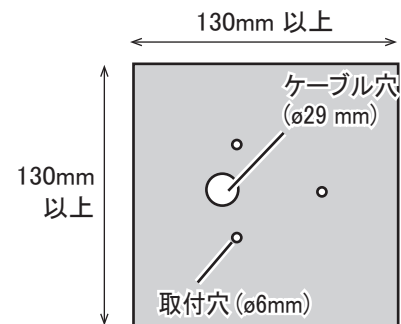
1.2.1 必要な工具

本機を取り付ける前に、次の工具を事前に準備する必要があります。

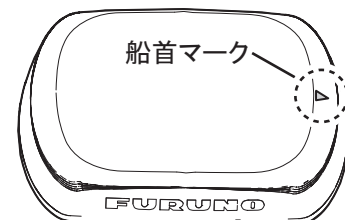
名称	備考
電動ドリル	取付穴用
ドリルビット	φ6
穴のこぎり	ケーブル穴用 (φ25mm)
やすり	ケーブル穴の切り口の処理用
プラスドライバ	#2

1.2.2 取付け

1. 現地で取付台 (130mm×130mm 以上) を用意します。
錆びが発生する取付台の場合は、防錆剤を塗布してください。
注) 取付け面は平らで、がたつきがない場所を選択してください。
2. 取付穴 3カ所と、空中線ケーブル用のケーブル穴 (φ29±2mm) を 1カ所あけます (巻末の外寸図参照)。

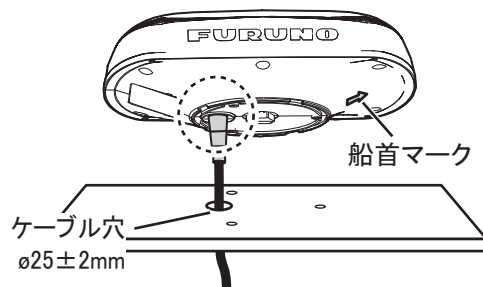


注) 空中線部の船首マークが船首方向を向くように、取付台に載せます。

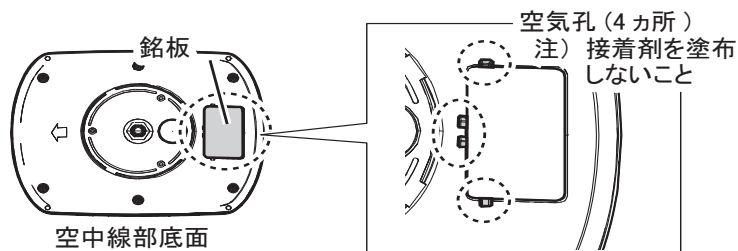


3. 手順 2 のケーブル穴に空中線ケーブルのコネクタ部が上になるように取付台の下から通します。

4. 空中線ケーブルのコネクタと空中線部を接続します。

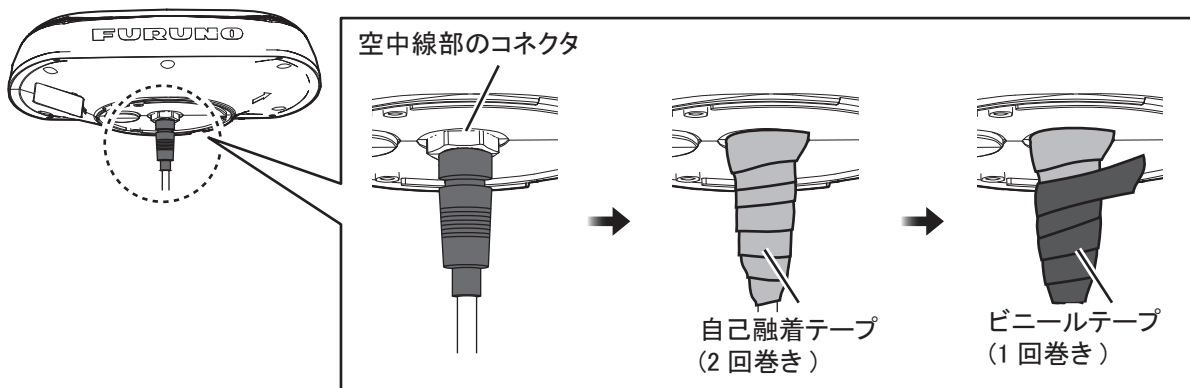


注) 空中線部底面の銘板近くにある空気孔 (4カ所) には接着剤を塗布しないでください。



5. コネクタ接続部に自己融着テープを2回巻き、その上からビニールテープを1回巻きます。

注) このとき、空中線部とケーブルのコネクタ両方にテープがかかるように巻いてください。

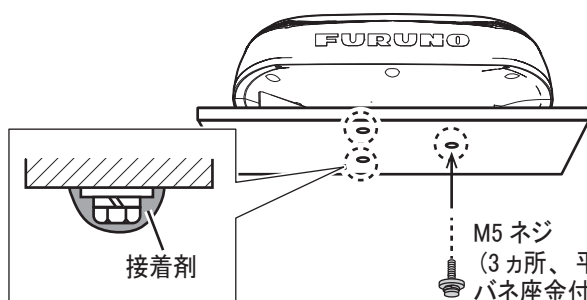


6. 空中線部の船首マークが船首方向に向くように調整します。

注) 取付台に設置した空中線部が傾いていないことを確認してください。

7. 空中線部の底面から3本のネジ (M5×20、平座金、バネ座金付) で手順2の取付穴から空中線部を取付位置に固定します。ネジで固定後、ネジの頭に工材の接着剤を塗布します。

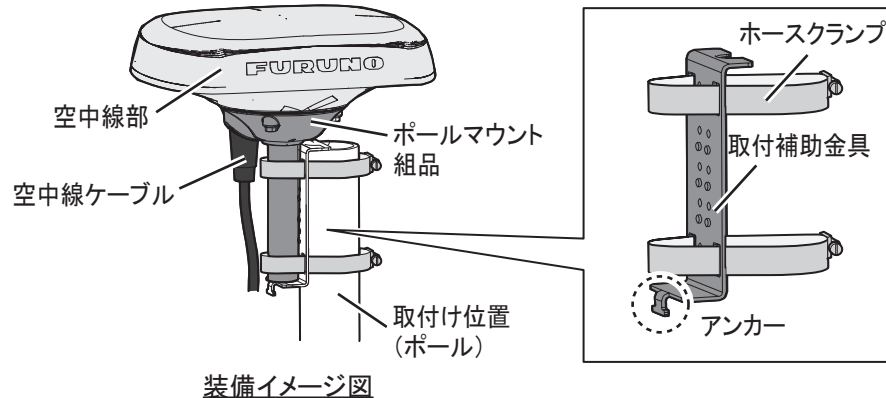
注) ネジの長さは取付け位置の板厚によって異なります。



板厚 (取付け位置)	M5 ネジの 長さ
2 ~ 10mm	20mm (工材)
10mm 以上	板厚 + 8 ~ 16mm (現地手配)

1.3 ポールマウント装備

あらかじめポールマウントキットと空中線部を組み立ててから、取付け位置に固定します。



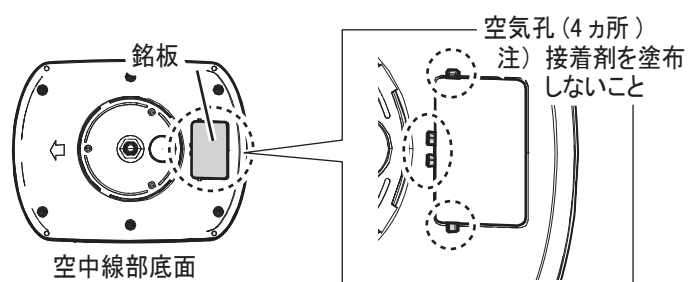
装備イメージ図

1.3.1 装備上の注意

- 取付け位置のポールの直径は 25 ～ 50mm 以内の必要があります。
- ポールマウントキットを取り付けた空中線部は船首マークが船首方向を向くように取り付けます。
- ホースクランプは取付け位置のポールの直径に応じて、正しいサイズのものを使用してください。

名称	適用マスト径	備考
ホースクランプ	20A ～ 25A (φ25 ～ 35mm)	工材 CP20-04603 で標準支給
	32A ～ 40A (φ35 ～ 50mm)	オプション OP20-52 で支給

- 空中線部底面の銘板近くにある空気孔（4カ所）には接着剤を塗布しないでください。



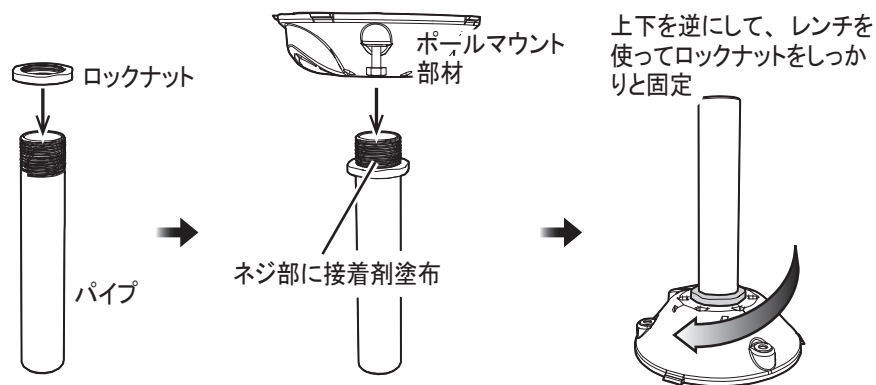
1.3.2 必要な工具

本機を取り付ける前に、次の工具を事前に準備する必要があります。

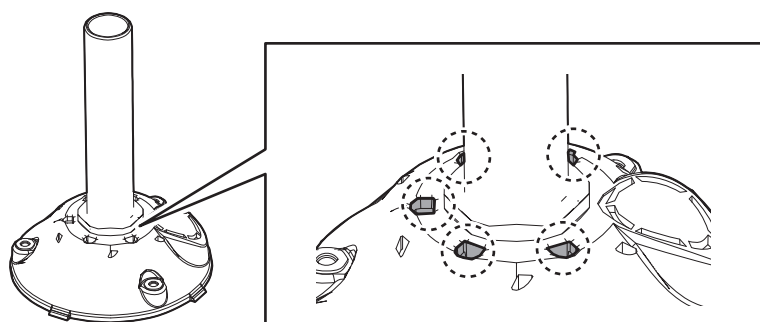
名称	備考
プラスドライバ	#2
マイナスドライバ	ホースクランプ取付用
レンチ	<ul style="list-style-type: none"> • ロックナット締付用 (対辺 32mm) • ポールマウント部材固定用 (対辺 8mm)
束線バンド	2本 (最低)、空中線ケーブルのポール固定用
ニッパー	空中線部ケーブル導入口カバー用
自己融着テープ	コネクタ結合部の防水用
ビニールテープ	コネクタ結合部の防水用

1.3.3 ポールマウントキットの組立て

1. ロックナット（工材）をパイプ（工材）のネジ部の一番下まで取り付けます。
2. パイプのネジ部に接着剤を塗布し、ポールマウント部材を取り付けます。
3. 取り付けした組品を上下逆にして、レンチ（現地手配）を使ってロックナットをしっかりと固定します（締付トルク：15N・m）。

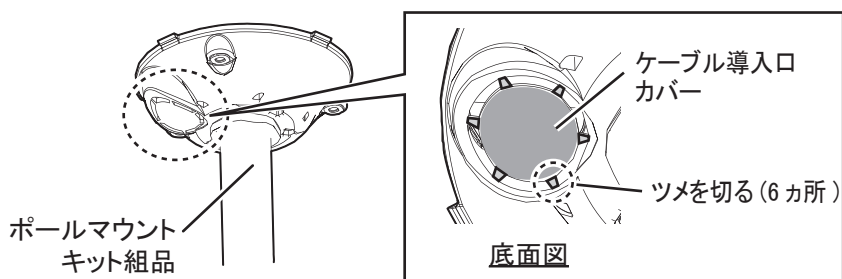


4. 余分な接着剤を拭き取ります。
注) このとき、下図5か所の水抜き穴を塞がないように注意してください。

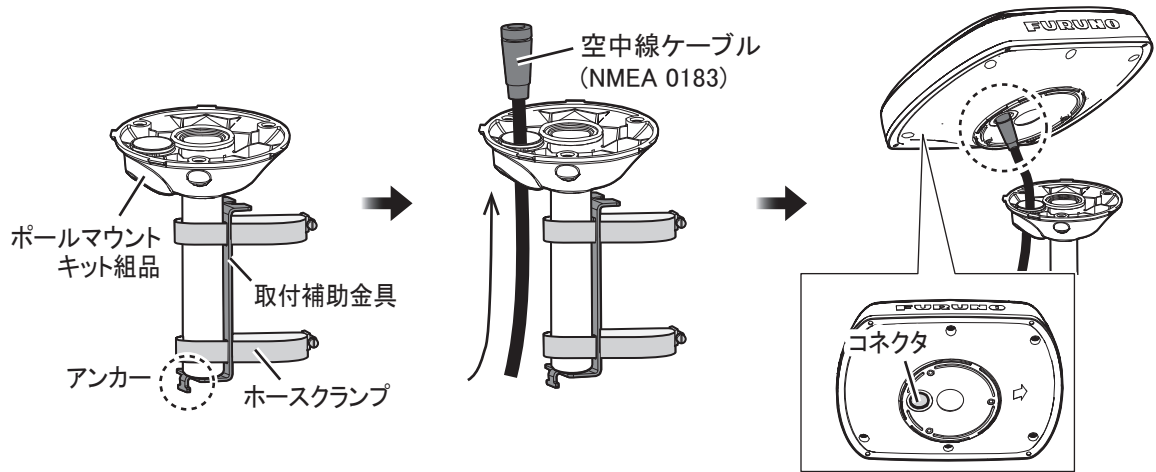


1.3.4 取付け

1. ニッパー（現地手配）を使ってポールマウントキット組品のケーブル導入口カバーを取り外します。

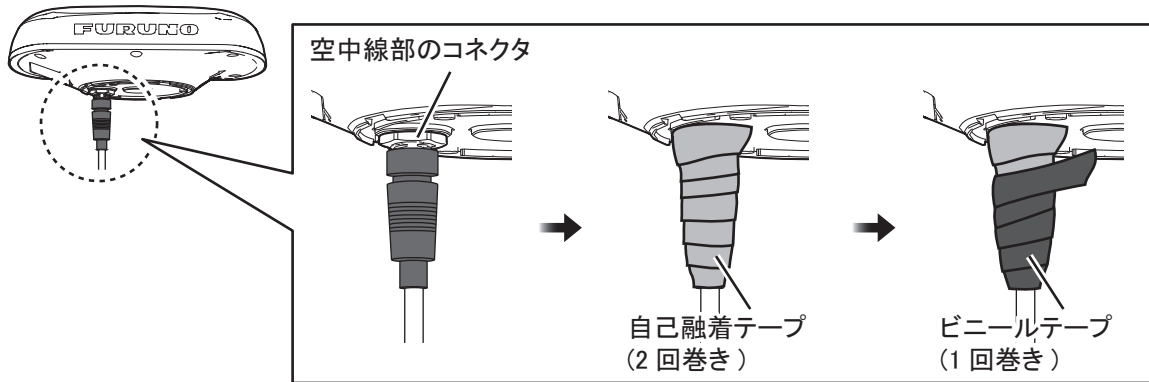


2. ポールマウントキット組品にホースクランプを通し、組品の下から空中線ケーブルを通し、空中線ケーブルのコネクタと空中線部を接続します。
注) アンカーが下向きになるように取付補助金具を配置します。

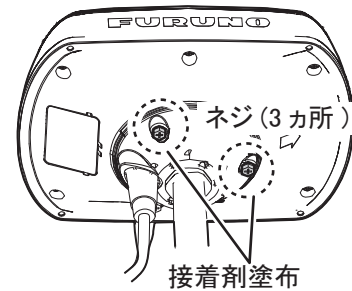


3. コネクタ接続部に自己融着テープを2回巻き、その上からビニールテープを1回巻きます。

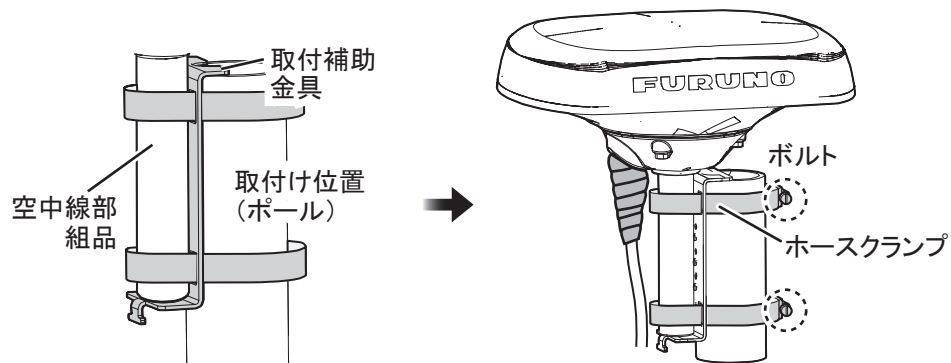
注) このとき、空中線部とケーブルのコネクタ両方にテープがかかるように巻いてください。



4. 空中線部の底面から空中線部をポールマウントキット組品に取付け、3本のネジ (M5、工材) で固定します。取付け後、ネジの頭に接着剤 (工材) を塗布します。



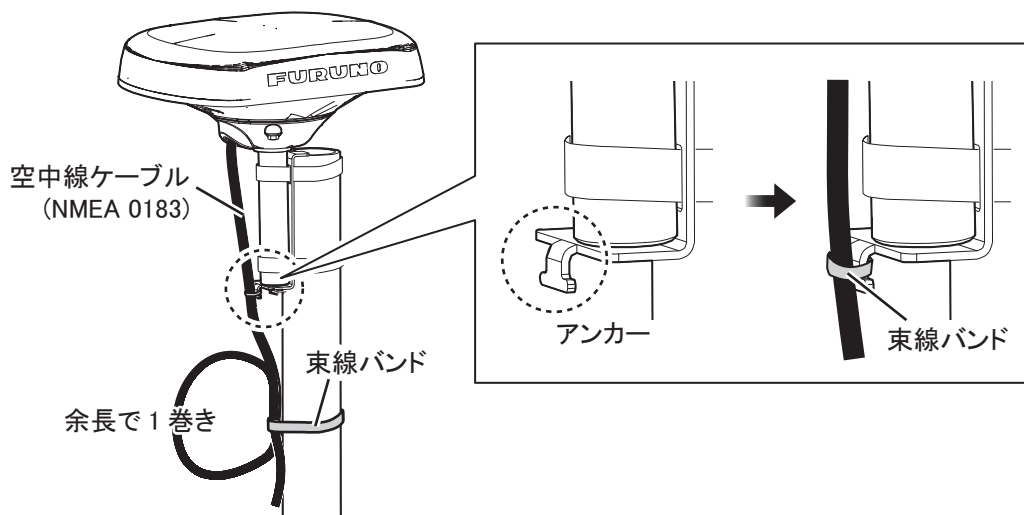
5. 空中線部組品にある取付補助金具が、取付位置のポールの上に来るように配置します。その後、ホースクランプのボルトを緩く締めます。



6. 空中線部の船首マークが船首方向を向くように配置を調整します。



7. ホースクランプの2本のボルトをしっかりと締め、空中線部組品を固定します。
8. 空中線ケーブルを取付補助金具のアンカーで束線バンド（工材）を使って固定します。空中線ケーブルの余長を1巻きし、束線バンド（現地手配）を使って取付位置のポールに固定します。



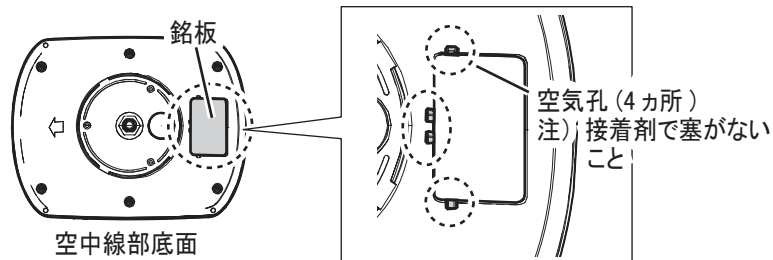
1.4 アンテナベース装備 (オプション)

オプションの直型アンテナベース (NO.13-QA330) を使うことで、次のような場所への装備が可能です。

- 斜面（傾き 35° まで）
- 装備面が狭い場所

1.4.1 装備上の注意

- がたつきのある面には装備しないでください。
- 空中線部底面の銘板近くにある空気孔（4カ所）には接着剤を塗布しないでください。



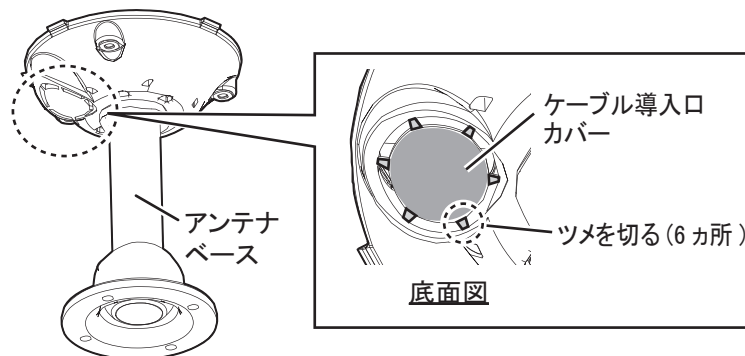
1.4.2 必要な工具

本機を取り付ける前に、次の工具を事前に準備する必要があります。

名称	備考
電動ドリル	取付穴用
ドリルビット	φ4.2 ~ 5
穴のこぎり	ケーブル穴用 (φ25mm)
やすり	ケーブル穴の切り口の処理用
プラスドライバ	#2
ニッパー	空中線部ケーブル導入口カバー用

1.4.3 取付け

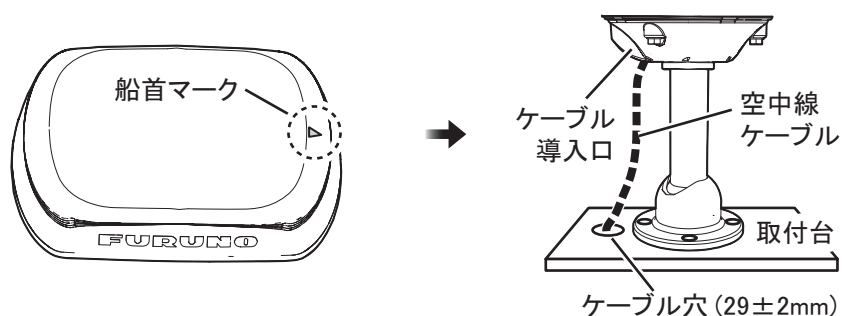
1. ニッパー（現地手配）を使ってポールマウントキット組品のケーブル導入口カバーを取り外します。



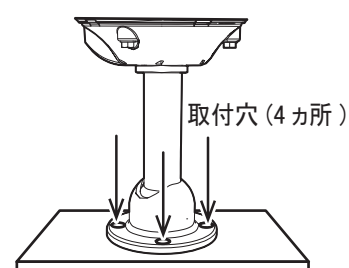
2. 1.3.3 節を参考にして、アンテナベースにポールマウントキットを組み立てます。
注) ポールマウントキットに含まれるパイプは使用しません。
3. 空中線部の船首マークが船首方向を向くように直型アンテナベースを取付台に配置します。斜面に取り付ける場合は、傾ける方向に注意して配置しま

す。取付台に穴をあけて空中線ケーブルを配線する必要がある場合は、ケーブル穴（φ29mm 以上）をあけます。

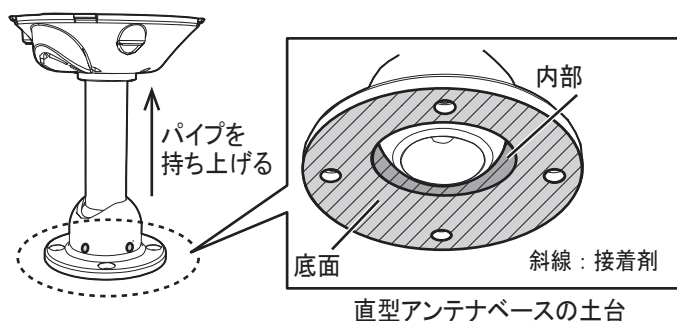
注）アンテナベースは配置した向きによって傾けることができる方向が決まります。



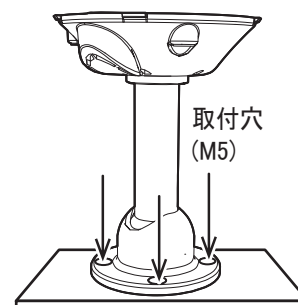
4. 取付台に直型アンテナベースを固定する4つの取付穴（φ4.2～5mm）をあけます。



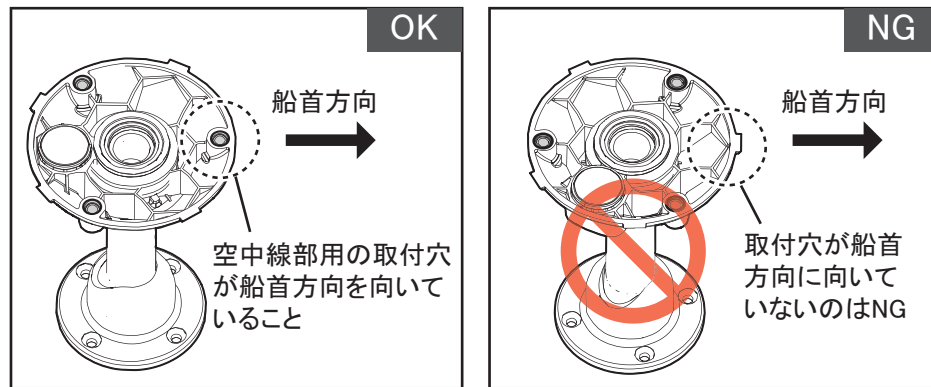
5. 直型アンテナベースの直下が空洞である場合（ケーブル穴ではなく）は、パイプを上方向に引っ張ります。その後、直型アンテナベースの底面とその内側（下図の斜線部）に接着剤を塗布します。



6. 取付台にあけた取付穴と直型アンテナベースのネジ穴が一致するように配置し、4本のネジ（M5、工材）を使ってしっかりと締めつけます。

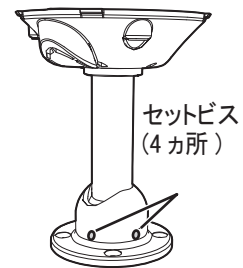


7. 直型アンテナベースの下部にある4か所のセットビスを六角レンチ（工材）で緩め、船首方向を考慮し、直型アンテナベースの向きを調整します。



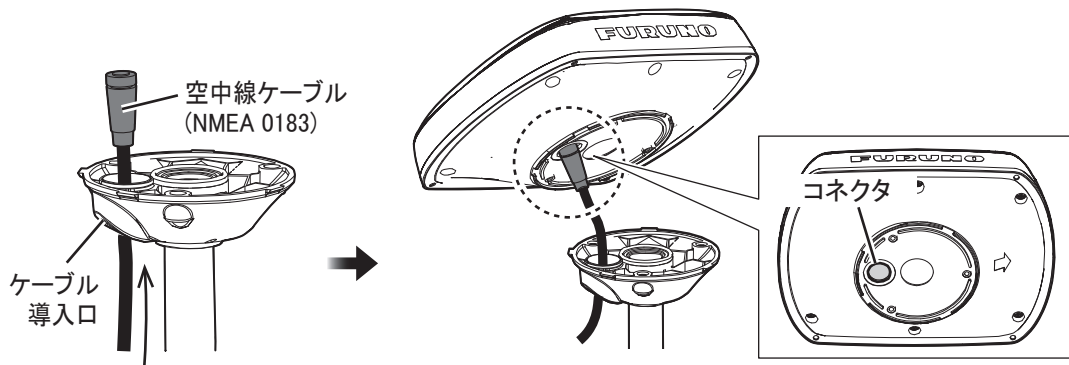
8. 直型アンテナベースで緩めたセットビスを1つずつ外して、工材のセットビス（接着剤塗布済み）と交換して取り付けます。締め付け後、余分な接着剤はしっかりと拭き取ります。

注) 接着剤が固まるには、およそ30分かかります。



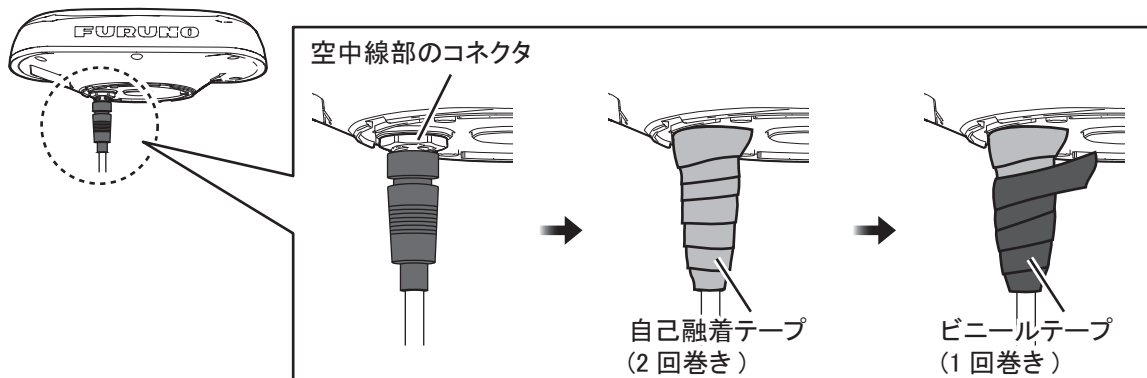
直型アンテナベース

9. 空中線ケーブルのコネクタと空中線部を接続します。



10. コネクタ接続部に自己融着テープを2回巻き、その上からビニールテープを1回巻きます。

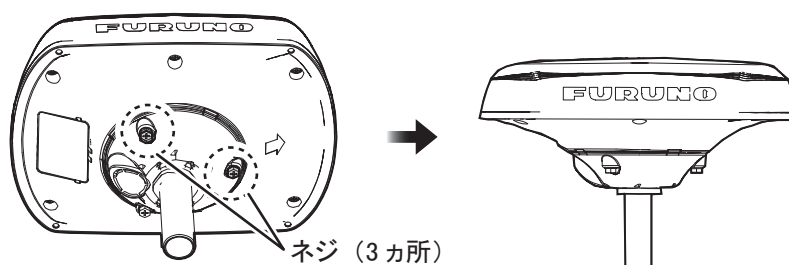
注) このとき、空中線部とケーブルのコネクタ両方にテープがかかるように巻いてください。



11. 船首マークが船首方向を向くように空中線部の向きを調整します。



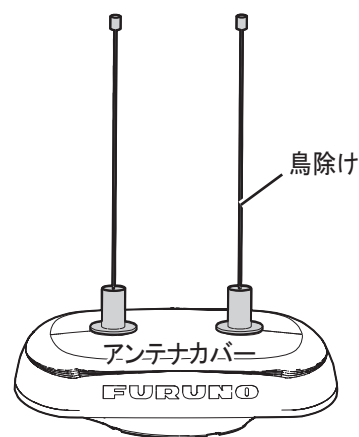
12. 空中線部の底面からネジ3本（工材、M5）を使って、空中線部を固定します。



1.5 鳥除け (オプション)

オプションの鳥除け (OP20-54) を空中線部の上部に取り付けることで、鳥が空中線部に止まることを軽減することができます。

2本の鳥除けにある両面テープを外して、空中線部上部に取り付けます。取付後、空中線部との接触面を覆うように接着剤を塗布します。



1.6 積雪カバー (オプション)

オプションの積雪カバーキット (OP20-53) を使用することで、空中線部での積雪を軽減することができます。

取付け方については、キットに同梱されている要領書 (C72-01901) を参照してください。

1.7 結線

空中線部からのケーブルを必要な航海機器に接続します。

注) GP-39 を表示部として使用する場合は、SCX-21 の DATA1 と GP-39 の PORT1 を接続してください。

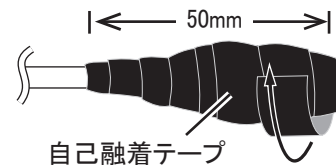
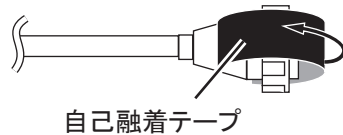
1.7.1 ケーブルコネクタの防水処理

本機を水しぶきがかかる場所や湿度の高い場所に装備する場合は、ショートや腐食を防止するため、ケーブルコネクタを次のように防水処理してください。

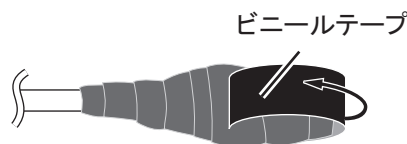
ケーブルコネクタの防水処理

使用しないケーブルコネクタは、下記の防水処理を行う必要があります。

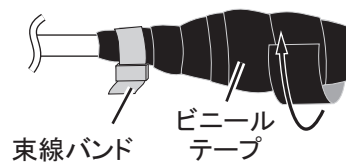
- 1) ケーブルのコネクタ先端を自己融着テープで覆います。
- 2) 巻く方向を変えて、自己融着テープを約 50mm 巻きつけます。このとき、ケーブルのコネクタ先端が隠れるように巻きます。



- 3) 自己融着テープの上から、コネクタ先端にビニールテープを巻きます。

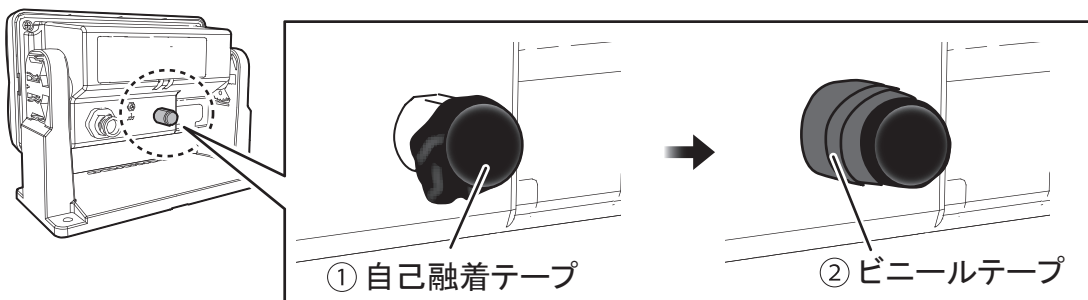


- 4) 自己融着テープを覆うように、ビニールテープを巻きつけます。テープの終端はほどけないように束線バンドで固定します。



1.7.2 使用しないコネクタの防水処理

使用しない GP-39 のコネクタは、ショートや腐食を防止するため、自己融着テープとビニールテープ（現地支給）で防水処理を行う必要があります。



1. 使用しない GP-39 のコネクタの接続部を自己融着テープで覆います。
2. コネクタの側面をビニールテープで覆い、自己融着テープが剥がれないようにします。

2章 操作の概要

2.1 電源のオン／オフ

本機には電源スイッチがありません。電源のオン／オフは、船内電源から行ってください。

2.2 SCX-21 の設定の表示／変更

以下の2つの方法で、SCX-21 の設定を表示、変更することができます。

- 1) SCX-21 に接続している GP-39 から設定を表示、変更する
このマニュアルではすべての操作説明に GP-39 を使用しています。GP-39 の詳しい使い方については、GP-39 の取扱説明書を参照してください。
- 2) PC を接続し、SC 設定ツールから設定を表示、変更する
SC 設定ツールは装備後の初期設定、各種設定変更、および保守点検時の動作テスト時などに使用することを目的としたソフトウェアで、インストールされた PC を本機に接続して使用します。

SC 設定ツールを使った設定については、お買い上げ先、または当社支店・営業所に依頼してください。

2.2.1 キーの使い方



番号	キー	説明
1	カーソルパッド	<ul style="list-style-type: none">カーソルを移動するメニューの項目を選ぶ
2	[MENU] キー	<ul style="list-style-type: none">メニューを開く (プロッタ画面／ハイウェイ画面:2回押す、その他の画面:1回押す)拡大／縮小設定ウィンドウを表示する (プロッタ画面／ハイウェイ画面のみ)。

番号	キー	説明
3	[DISP] キー	表示画面を選ぶ。
4	[MARK/MOB] キー	<ul style="list-style-type: none"> • 長押し: 自船位置を目的地として登録する。 • 短押し: 自船位置を MOB 位置として登録する。
5	[ENT/CNTR] キー	<ul style="list-style-type: none"> • 長押し: 自船マークを中央に移動する (プロッタ画面のみ)。 • 短押し: 選んだ項目を確定する。
6	[GOTO] キー	<ul style="list-style-type: none"> • 行先を設定する。 • [目的地] または [ルート] メニューを左右にスクロールする。
7	[PWR/BRILL] キー	<ul style="list-style-type: none"> • 長押し: 電源を切る。 • 短押し: 電源を入れる。[輝度] ウィンドウを開く。

2.2.2 メニューの使い方

メニューの使い方は、以下の通りです。

1. [MENU] キーを 1 回または 2 回押して、メニューを表示します。
 - 1 回押す: 操船画面、航法データ画面、衛星モニター画面、ユーザー画面 1、ユーザー画面 2
 - 2 回押す: プロッタ画面、ハイウェイ画面
2. カーソルパッドの ▼ または ▲ を押して、必要な項目を選びます。
3. [ENT/CNTR] キーを押します。
4. ▼ または ▲ を押して、設定を変更する項目を選びます。
5. [ENT/CNTR] キーを押します。
6. ▼ または ▲ を押して、設定内容を変更します。
7. [ENT/CNTR] キーを押します。
8. [MENU/ZOOM] キーを 2 回押して、メニューを閉じます。

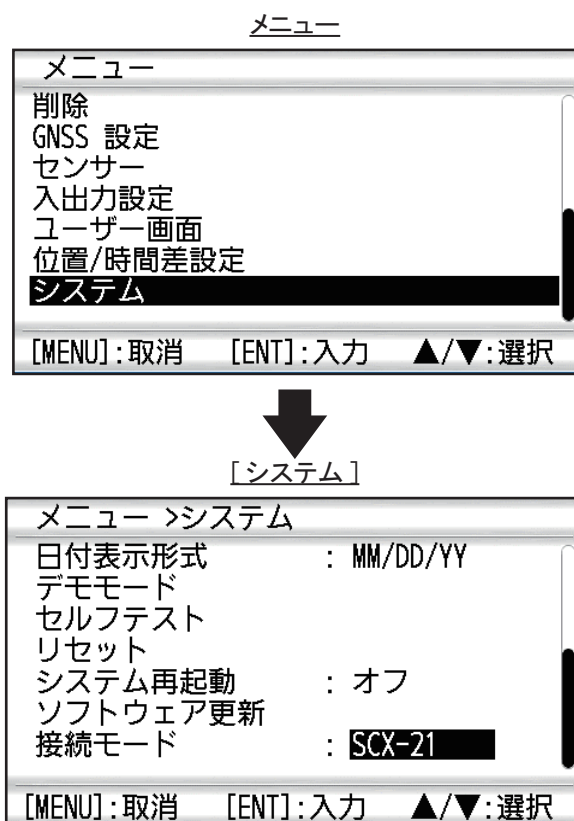
2.2.3 SCX-21 表示部の設定方法

GP-39 の表示器を SCX-21 の表示部として使用する場合は、以下の手順で設定を行います。

1. メニューを開きます。
2. [システム] を選択します。
3. [接続モード] を選択し、設定オプションを表示します。
4. [SCX-21] を選択します。
5. メニューを閉じます。

注 1) 接続モードを切り替えた場合、設定した内容は引き継がれません。

注 2) 一部のデフォルト設定は、接続モードによって異なります。詳細は、巻末のメニューツリーを確認してください。本書では、[SCX-21] を選択した場合のデフォルト設定を使用して説明します。

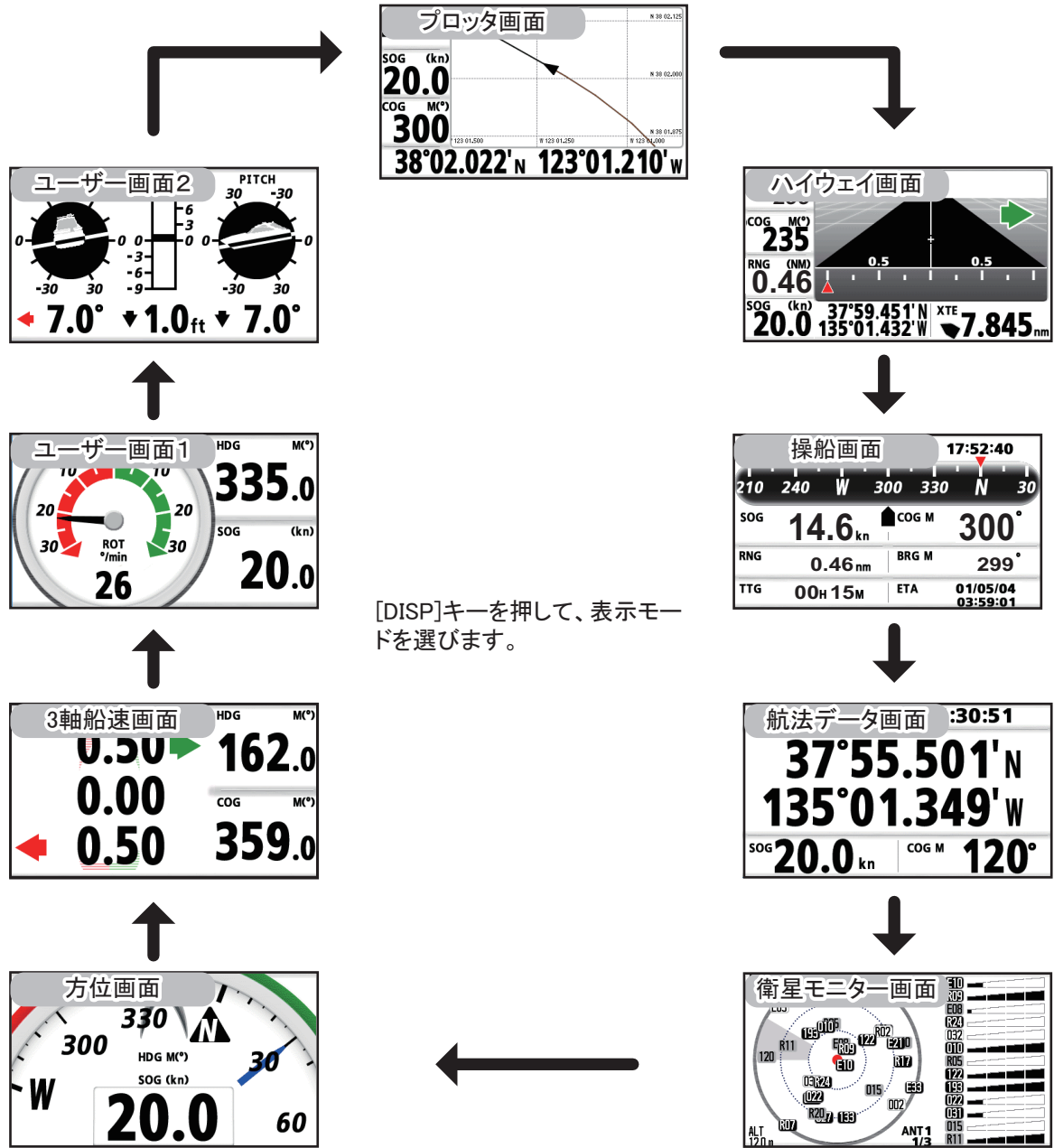


2.3 表示モード

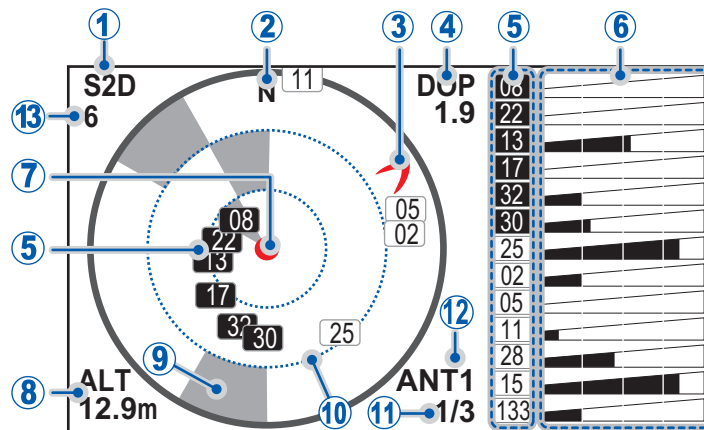
GP-39 は SCX-21 の表示部として、以下の追加機能を備えています。

- 方位表示
- 3 軸船速表示
- 回頭角速度表示
- 姿勢表示

注) 表示モードの詳細については、GP-39 の取扱説明書を確認してください。



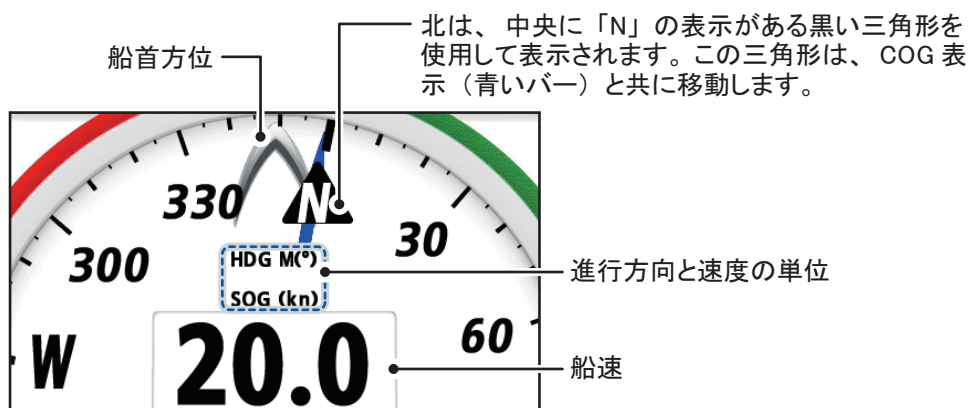
2.3.1 衛星モニター画面



衛星モニター画面は、次ページの情報を表示します。

番号	機能
1	<p>受信状態：[2D]、[S2D]、[3D] または [S3D] が表示されます。受信が中断したり、信号が止まったりすると、この表示が「---」（ハイフン）に変わります。SBAS を使用して測位する場合は「S」が表示されます。</p>
2	<p>ノースマーク：仰角線の外側の端に、北を「N」として表示します。</p>
3	<p>ヘディングマーク：現在の船首の向きを表示します。マークは、仰角線の外側の端に表示されます。</p>
4	<p>DOP 値：選択した衛星番号の精度低下率を表示します。値が低いほど、精度が高くなります。</p>
5	<p>衛星番号と信号受信強度：現在表示されている各衛星を、中央に衛星番号が付いた小さなボックスで示しています。信号受信強度は、次のように色分けされています。</p> <ul style="list-style-type: none"> • 白：衛星は計算に使用されていません。 • 灰：衛星は位置の計算のみに使用されています。 • 黒：衛星は位置と船首方位の計算に使用されています。
6	<p>SN 比：衛星信号の全体的な信頼性を示しています。信号対雑音比、または信号の全体的な信頼性を黒で表示します。バーが長いほど、信号の信頼性が高いことを示します。</p>
7	<p>自船位置：画面の中心に、赤い円で表示します。</p>
8	<p>仰角：アンテナの仰角を示しています。測位モードが S2D または 2D の場合は、表示される値がアンテナの高さです。測位モードが S3D または 3D の場合、表示される値は海面から計算されます。</p>
9	<p>遮蔽領域：表示中のアンテナの情報を元に、遮蔽されている部分を灰色で表示します。遮蔽領域内にある衛星は、測位に使用することができません。</p>
10	<p>仰角マスク：仰角マスク（これ以下の角度にある衛星は、測位に使用することができない）の領域を表示します。領域が広がると、線が太くなります。最も外側のリング（太い灰色の線）は 0°、2 つの内側のリング（青い破線）の最も外側は 30°、最も内側のリングは 60° を示します。</p>
11	<p>ページ番号：14 基以上の衛星を捕捉している場合、受信信号レベルは複数のページに分けて情報表示され、表示中のページ番号が画面下部に現れます。ページを切り替えるときは、▲または▼を押します。</p>
12	<p>アンテナ番号：「ANT1」、「ANT2」、「ANT3」、または「ANT4」として表示されているアンテナを示します。アンテナ番号の下に、現在表示されている詳細ページの番号（「1/2」、「2/3」、または「3/3」と表示）が表示されます。</p> <p>注）「ANT4」は GLONASS 衛星を検知することができません。</p>
13	<p>方位測定状態：一般的な衛星の数が表示されます（1～32）。「0」と「DR」は、推測航法の下にあることを意味します。「-」は信号が受信されていないことを意味します。</p>

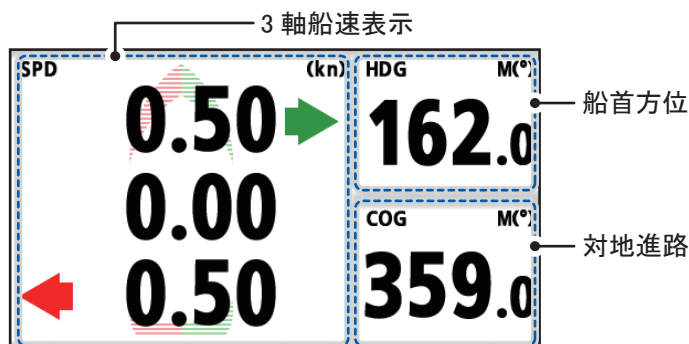
2.3.2 方位画面



方位画面は、以下の情報を表示します。

- **HDG**：船首方位を表示します（[プロッタ設定]－[方位基準]で選択）。
- **COG**：対地進路を表示します。三角形の上部が北を指します。
- **SOG**：対地船速を画面の中央下に表示します。

2.3.3 3軸船速画面

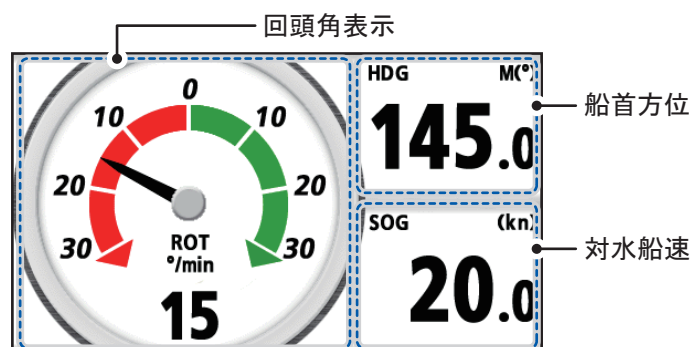


3軸船速画面は、以下の情報を表示します。

- **SPD**：船首（画面最上部）と船尾（画面最下部）の速度を示し、船首の左舷・右舷方向船速の左舷・右舷方向船速を表示します。画面中央の値は船の前後方向船速を表示します。前方の速度は上向きの矢印で、後方の速度は下向きの矢印で表示します。右舷方向は緑の矢印で、左舷方向は赤い矢印で表示し、画面の左上に単位（[システム]－[単位]で選択）を表示します。
- **HDG**：船首方位と、使用している測定方法を表示します（[プロッタ設定]－[方位基準]で選択）。
- **COG**：対地進路と、使用している測定方法を表示します（[プロッタ設定]－[方位基準]で選択）。

2.3.4 回頭角速度画面

注) この画面は、初期設定でユーザー画面 1 に設定されています。設定内容を変更するには、2.3.6 項を参照してください。

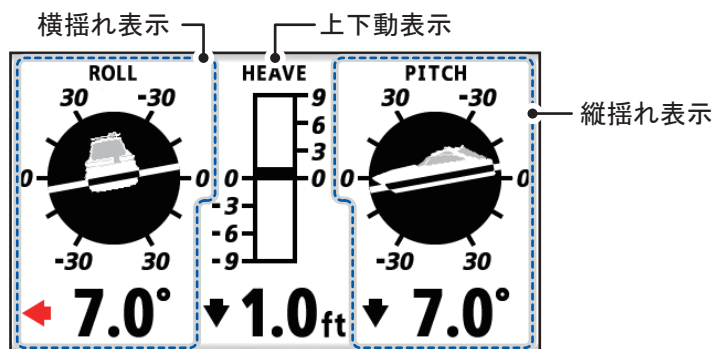


回頭角速度画面は、以下の情報を表示します。

- **ROT** : 回頭角速度を表示します。
- **HDG** : 船首方位と、使用している測定方法を表示します ([プロッタ設定] – [方位基準] で選択)。
- **SOG** : 対地船速と、使用している測定方法を表示します ([プロッタ設定] – [方位基準] で選択)。

2.3.5 姿勢画面

注) この画面は、初期設定でユーザー画面 2 に設定されています。設定内容を変更するには、2.3.6 項を参照してください。



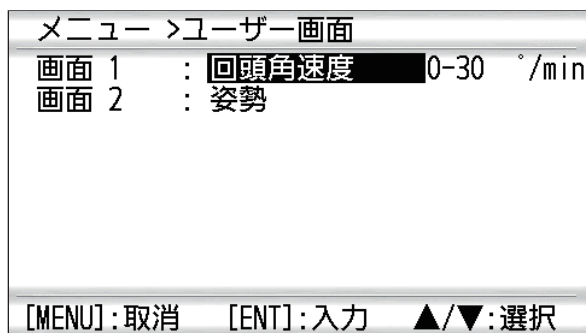
姿勢画面では、以下の情報を表示します。

- **ROLL** : 自船の横揺れと、角度を表示します。
- **PITCH** : 自船の縦揺れと、角度を表示します。
- **HEAVE** : 自船の上下動を、[システム] – [単位] で選択した測定単位で表示します。

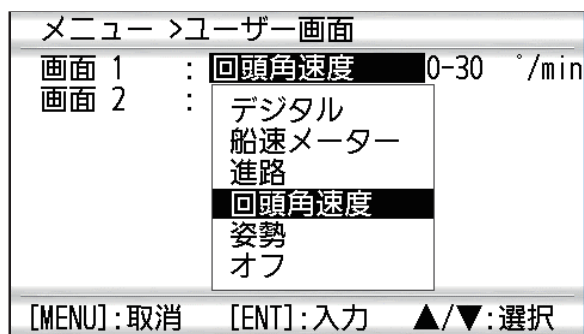
2.3.6 ユーザー画面の設定方法

GP-39 の表示器を SCX-21 の表示部として使用する場合は、設定変更が可能な画面が2つあります。設定変更を行う手順は、以下の通りです。

1. メニューを開きます。
2. [ユーザー画面] を選択します。



3. [画面 1]、または [画面 2] を選択します。



4. 画面を設定します。
5. メニューを閉じます。

2.4 システム情報の表示方法とセルフテストの実施

GP-39 の表示器を SCX-21 の表示部として接続している場合は、SCX-21 のシステムデータを表示し、正しく機能しているかどうかをテストすることができます。

2.4.1 システム情報の表示

[システム情報] にはプログラム番号、稼働時間、および SCX-21 のシリアル番号が表示されます。システム情報は、以下の手順で表示します。

1. メニューを開きます。

2. [システム]-[セルフテスト]を選択します。

セルフテスト

GP-39システムテスト

LCDテスト

システム情報

簡易セルフテスト

詳細セルフテスト

[MENU]:取消 [ENT]:入力 ▲/▼:選択

3. [システム情報]を選択し、以下の情報を表示します。

情報	説明
メイン基板	SCX-21 のメイン基板のバージョン
Starter Ver.	スタートアッププログラムのバージョン
Booter1(2) Ver.	ブータープログラムのバージョン
App. Ver.	メインプログラムのバージョン
稼働時間	SCX-21 を最後に起動してからの稼働時間
累計稼働時間	SCX-21 を最初に装備してからの稼働時間
GP-39 SW Ver.	GP-39 のプログラムバージョン
GP-39 累計稼働時間	GP-39 を最初に装備してからの稼働時間
Serial No.	SCX-21 の機番
GNSS1(2/3/4)	SCX-21 の GNSS モジュールのプログラム番号

2.4.2 簡易セルフテストの実施

1. メニューを開きます。
2. [システム]-[セルフテスト]を選択します。
3. [簡易セルフテスト]を選択すると、以下の情報が表示されます。

メニュー	説明
ROM	ROM の状態 (OK/NG)
RAM	RAM の状態 (OK/NG)
角速度センサ	角速度センサーの状態 (Good/Bad)
加速度センサ	加速度センサーの状態 (Good/Bad)
磁気センサ	磁気センサーの状態 (Good/Bad)
気温 / 気圧センサ	気温 / 気圧センサーの状態 (Good/Bad)
アンテナ揺れ検知	アンテナ揺れ検知回数 (0 ~ 99)
ポート 1/2/3 IO	セルフテストの例外設定
GNSS1/2/3/4	GNSS モジュール 1/2/3/4 の状態 (Good/Bad).
アンテナ 1/2/3/4	アンテナ 1/2/3 /4 の状態 (OK/NG).

2.4.3 詳細セルフテストの実施

1. メニューを開きます。
2. [システム]-[セルフテスト]を選択します。

3. 以下の情報が表示されます。

メニュー	説明
ROM	ROM の状態 (OK/NG)
RAM	RAM の状態 (OK/NG)
角速度センサ	角速度センサーの状態 (Good/Bad)
加速度センサ	加速度センサーの状態 (Good/Bad)
ポート 1/2/3 IO	セルフテストの例外設定

3 章 装備後の設定

本機に初めて電源が投入されるとコールドスタートし、衛星データは保存されていません。この状態で本機は方位計算を行い、約 60 秒で終了します。

30 分経過しても船首方位が計算されない場合は、空中線部の取付位置が適当でない可能性があります。本機と衛星の間の通信を遮断するような障害物がないことを確認してください。造船所内または岸壁で確認するときは、周囲に影になるような高い山や建造物がないか確認してください。

方位誤差が 5° 以上あるときは、船首方位を確認しながら空中線部の向きを合わせます。

船首方位が計算されたあと、以下の節を参照して装備後の設定を行ってください。

- 船体情報：3.1 節
- 衛星（SBAS、仰角、スムージングなど）：3.2 節
- 補正值：3.3 節
- データ出力：3.4 節

装備後の設定については、以下を参照してください。

- GP-39 から設定を行う。
本書を参照してください。
- PC を接続し、SC 設定ツールから設定を行う。
SC 設定ツールを使った設定については、お買い上げ先、または当社支店・営業所に依頼してください。

注) 本書では、SCX-21 のメニューと設定のみを説明します。GP-39 の詳細な設定と手順は、GP-39 の取扱説明書を参照してください。

3.1 船体情報の設定

3 軸速度などの一部の機能では、正しい値を計算して表示するために、船の寸法と基準点が必要です。

船体情報は、次の手順で設定します。

1. メニューを開きます。
2. [センサー]－[装備情報の設定]を選択します。
3. [船体幅]を選択し、船の幅を入力します。これは、右舷端から左舷端までの船の最も広い点での数値です。
4. [船体長]を選択し、船の長さを入力します。これは、船首から船尾までの船の最も長い数値です。

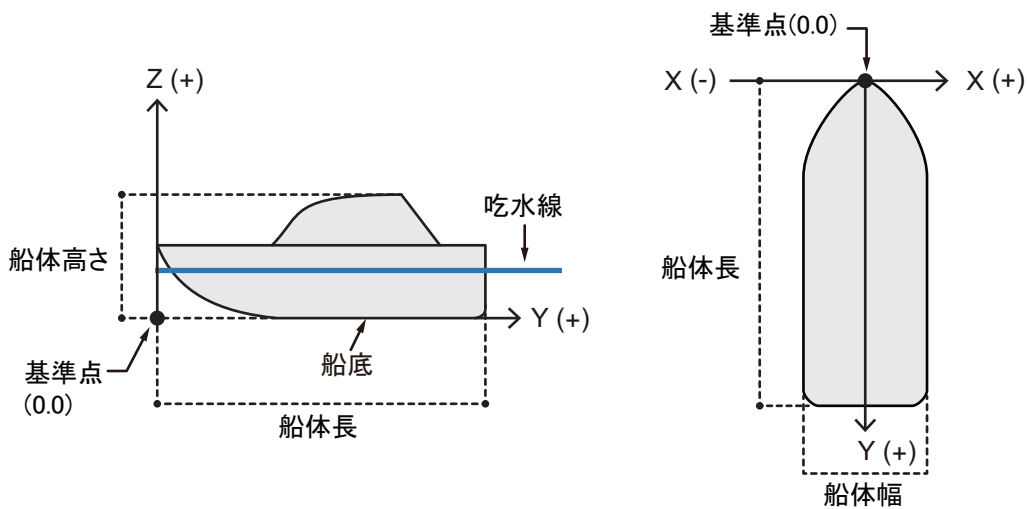
装備情報の設定	
アンテナ位置表示	
船体幅	: 3.0 m
船体長	: 10.0 m
船体高	: 5.0 m
アンテナ位置 X0	: + 0.00 m
アンテナ位置 Y0	: 5.0 m
アンテナ位置 Z0	: 2.5 m

[MENU]: 取消 [ENT]: 入力 ▲/▼: 選択

5. [船の高さ] を選択し、船の高さを入力します。これは、キールからマストトップまでの船の最も高い数値です。

6. 次の表を参照し、残りのメニュー項目を設定します。

船のサイズに応じて適切な値を入力し、3軸速度の精度を向上させます。設置場所の基準位置と3軸速度の計算位置を下図に示します。



注) アンテナの位置と速度の計算値には船の寸法が必要です。船の寸法がまだ設定されていない場合は、再度この手順を行ってください。

[アンテナ位置 X0]	本機の右舷 / 左舷方向の装備位置（本機の中心）を設定します。装備位置が右舷側の場合は正、左舷側の場合は負の値を入力します（設定範囲：-327.64 ~ +327.64m）。
[アンテナ位置 Y0]	本機の船首 / 船尾方向の装備位置を設定します。船首を0とし、船首から船尾方向への距離で設定します（設定範囲：0.0 ~ 999.9m）。
[アンテナ位置 Z0]	サテライトコンパス . の高さ方向の装備位置を設定します。船底を0とし、船底からの距離で設定します（設定範囲：0.0 ~ 199.9m）。

[船速測定位置 Y1 (船首)]**	3軸船速の船速出力位置を設定します(船首尾方向)。3軸船速では、本機の装備位置とは別に、前後2ヵ所で船速を計算します。基準点から、船速を測定したい位置までの距離(船尾方向)を入力してください 注) 工場出荷時に、[船速測定位置 Y1 (船首)]は[0 m]と設定されています。[船速測定位置 Y2 (船尾)]は、手順4の[船体長]で設定された値を引き継ぎます。基本的にこの設定の変更は不要です。詳細については、お買い上げの販売店・代理店、最寄りの当社支店・営業所あてへお問い合わせください。
[船速測定位置 Y2 (船尾)]**	
[船速測定位置 Z (高さ)]**	3軸船速の船速出力位置を設定します(高さ方向)。たとえば吃水線での船速を測定したい場合は、船底から吃水線までの高さを入力します。

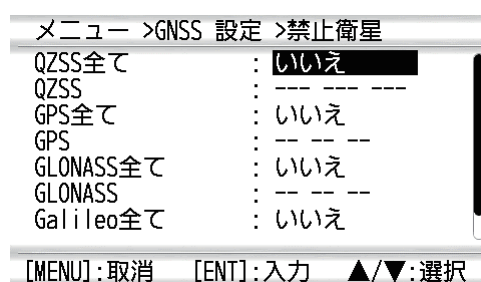
- 設定を適用するには、[ENT]キーを押します。
設定をやり直す場合は、[MENU]キーを押します。
- メニューを閉じます。

3.2 衛星の設定

3.2.1 使用禁止衛星の設定

SCX-21には衛星番号表があり、無効化または動作していない衛星をフィルタリングして使用禁止にします。次の手順で、衛星を使用禁止にするための設定を手動で行います。

- メニューを開きます。
- [GNSS 設定] - [禁止衛星]を開きます。



- 下表を参照し、使用禁止にする衛星を選択して設定します。各衛星グループでは、個別に指定した最大3つの衛星を使用禁止にできます。

メニュー項目	説明
[QZSS All]	[YES]に設定すると、準天頂衛星システム(QZSS)の全衛星を使用禁止にします。
[QZSS]	衛星番号を指定して、準天頂衛星システム(QZSS)の使用禁止衛星を設定できます。

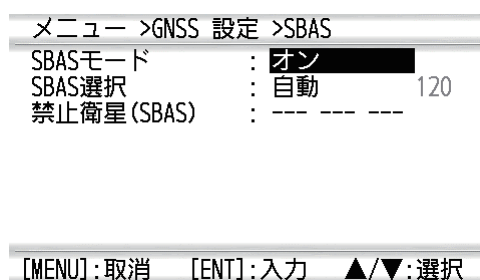
メニュー項目	説明
[GPS All]	[YES] に設定すると、GPS 衛星システムの全衛星を使用禁止にします。
[GPS]	衛星番号を指定して、GPS 衛星システムの使用禁止衛星を設定できます。
[GLONASS All]	[YES] に設定すると、Galileo 衛星システムの全衛星を使用禁止にします。
[GLONASS]	衛星番号を指定して、GLONASS 衛星システムの使用禁止衛星を設定できます。
[Galileo All]	[YES] に設定すると、Galileo 衛星システムの全衛星を使用禁止にします。
[Galileo]	衛星番号を指定して、Galileo 衛星システムの使用禁止衛星を設定できます。

4. メニューを閉じます。

3.2.2 SBAS 設定

静止衛星を使用した GPS の広域補強システムを総称して SBAS (Satellite Based Augmentation System) といいます。静止衛星から広範囲に GPS の誤差補正情報などが放送されるため、GPS 測位に比べ高精度に測位できます。設定を行う手順は、以下の通りです。

1. メニューを開きます。
2. [GNSS 設定] - [SBAS] を選択します。



3. 下表を参照し、SBAS の設定を行います。

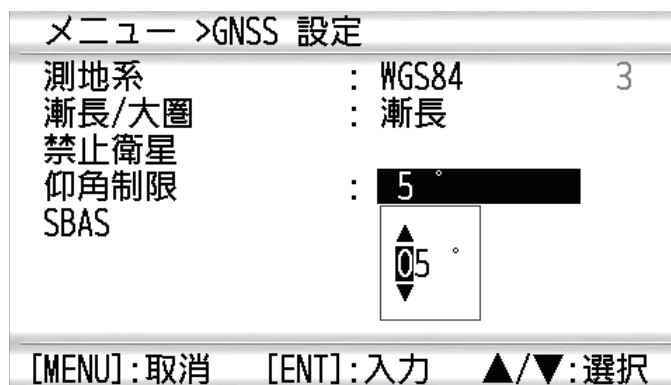
メニュー項目	説明
[SBAS モード]	[On] で SBAS を有効に、[Off] で無効にします。
[SBAS 選択]	SBAS 測位する衛星の選択方法を自動 / 手動に切り替えます。
[禁止衛星 (SBAS)]	衛星番号を指定して、SBAS 測位を無効にする衛星を設定できます。

3.2.3 仰角マスクの設定

低い角度にある衛星は、大気の状態やマルチパスの信号によって信頼度が下がる場合があります。

このため、指定した角度以下の衛星を除外する仰角マスクを以下の手順で設定し、適用することができます。

1. メニューを開きます。
2. [GNSS 設定] を開きます。



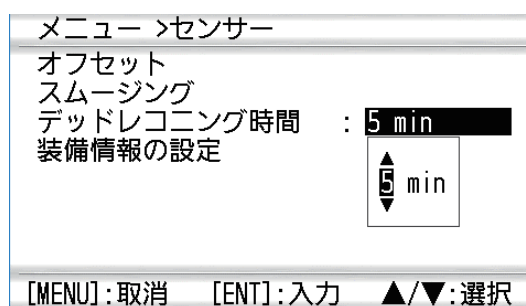
3. [仰角制限] を選択します。
4. 除外する角度を設定します。この仰角より下にある衛星は除外されます。
5. メニューを閉じます。

3.2.4 デッドレコニング（推測航法）の時間設定

SCX-21 が衛星からの信号を受信できない場合、設定した時間内は船首方位データをデッドレコニング（推測航法）として出力することができます。設定した時間内に衛星からの信号を受信できない場合、SCX-21 は方位データの出力を停止します。

デッドレコニングの時間は、以下の手順で設定を行います。

1. メニューを開きます。
2. [センサー] を開きます。



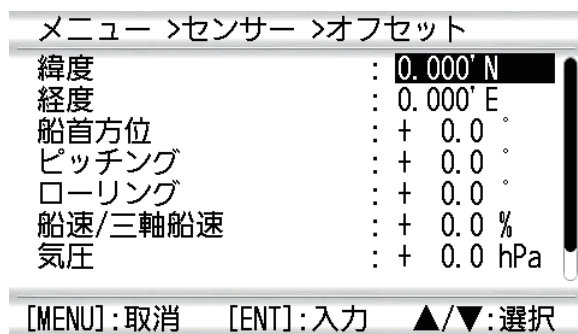
3. [デッドレコニング時間] で、出力する時間を設定します。
4. メニューを閉じます。

3.3 補正值の設定

SCX-21 は、ロールやピッチなどのさまざまなデータを出力しますが、設置場所やその他の要因に基づいてデータの補正が必要な場合があります。補正值の設定は、以下の手順で行います。

注) この手順は、SCX-21 のみ適用されます。他のセンサーのデータを補正する場合は、それぞれのセンサーにアクセスしてから行ってください。

1. メニューを開きます。
2. [センサー] – [オフセット] を選択します。



3. 下表を参照し、補正值を設定します。

メニュー項目	説明
[緯度]、[経度]	自船位置の補正值を設定します。この設定を変更すると、必要な補正值が確実にわかります。この設定は、資格のある技術者が行ってください。
[船首方位]	船首方位の補正值を設定します。マイナスの値を設定すると右舷方向に補正され、プラスの値を設定すると左舷方向に補正されます。たとえば、画面の見出しが左舷に対して10°を示しており、実際の方向が0°の場合、補正值を[+10°]に設定します。
[ピッチング]	ピッチ（縦揺れ）の補正值を設定します。船首を下げるにはマイナスの値を設定し、上げるにはプラスの値を設定します。たとえば、画面上のピッチが+10°と表示されていて、船舶が実際に係留されていて穏やかな水域にある場合は、オフセットを[-10°]に設定します。
[ローリング]	ロール（横揺れ）の補正值を設定します。マイナスの値を設定すると左舷方向にオフセットされ、プラスの値を設定すると右舷方向にオフセットされます。たとえば、画面上のロールに+0°と表示されていて、船舶が実際に10°で左舷に傾斜している場合は、オフセットを[+10°]に設定します。
[船速 / 三軸船速]	船速 / 三軸船速の補正值を設定します。-の値 (%) を設定すると表示速度が遅くなり、+の値 (%) を設定すると表示速度が速くなります。

メニュー項目	説明
[気圧]	気圧の補正值を設定します。負の値を設定すると表示圧力が下がり、正の値を設定すると表示圧力が上がります。
[気温]	気温の補正值を設定します。

4. メニューを閉じます。

3.3.1 受信データの平滑化

GP-39 で受信する SCX-21 のデータは、平滑化（スムージング）させることができます。平滑化を行うことにより、SCX-21 からのデータ出力にわずかな遅延が発生しますが、受信環境やその他の要因によるデータの変動が減少します。

1. メニューを開きます。
2. [センサー] - [スムージング] を選択します。

スムージング	
船速/進路	: 5 sec
三軸船速	: 5 sec
回頭角速度	: 2 sec

[MENU]: 取消 [ENT]: 入力 ▲/▼: 選択

3. 平滑化する項目を選択し、時間を設定します。
4. メニューを閉じます。

各項目の平滑化を無効にするには、上記の手順を繰り返してから、値を [0]（ゼロ）に設定します。

3.4 データ出力設定

SCX-21 は、同じ NMEA 0183 接続上の他の機器に NMEA 0183 センテンスを出力できます。船の機器構成に応じて、最大 3 チャンネル（データポート）の出力を設定できます。

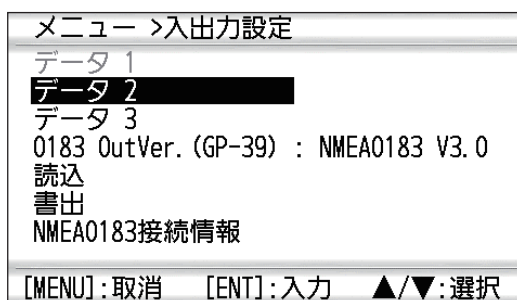
GP-39 を表示部として使用する場合、データ 1 ポートは出力できません。ただし、この場合、データ出力にはデータ 2 とデータ 3 の両方のポートを使用できます。

SCX-21 が NMEA 0183 に直接接続されている場合、3 つのデータポートすべてが出力できます。

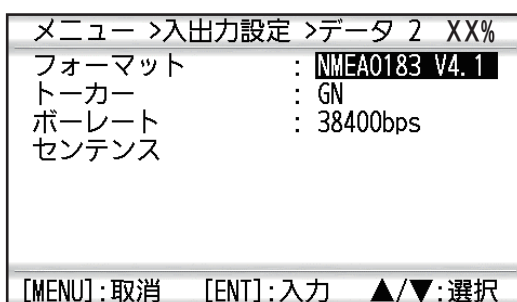
3.4.1 出力データポートの設定

3 つのデータポートはすべて、以下の手順で出力用に設定することができます。

1. メニューを開きます。
2. [入出力設定] を選択します。



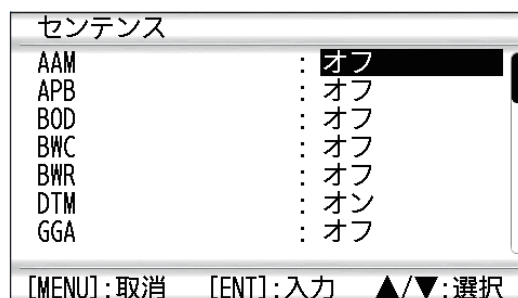
3. 設定を行うデータポートを選択します。
 注) GP-39 を表示部として接続した場合、データ 1 の設定を行うことはできません。



4. [フォーマット] を選択し、出力可能な NMEA0183 のバージョンを表示します。
5. 船内ネットワークで使用されている NMEA 0183 バージョンを選択します。
 NMEA データコンバータを使用して NMEA 0183 データを NMEA 2000 デバイスまたはネットワークに出力する構成の場合は、[IEC61162-1 Ed.5] を選択します。
6. [トーカー] を選択し、使用するトーカーを設定します。

7. [ボーレート] を選択し、NMEA 0183 ネットワークで使用されているのと同じボーレートを設定します。
8. [センテンス] を選択し、SCX-21 に出力するセンテンスと、各センテンスを送信するサイクルを設定します。

注) 出力サイクル、および使用可能なオプションはセンテンスによって異なります。



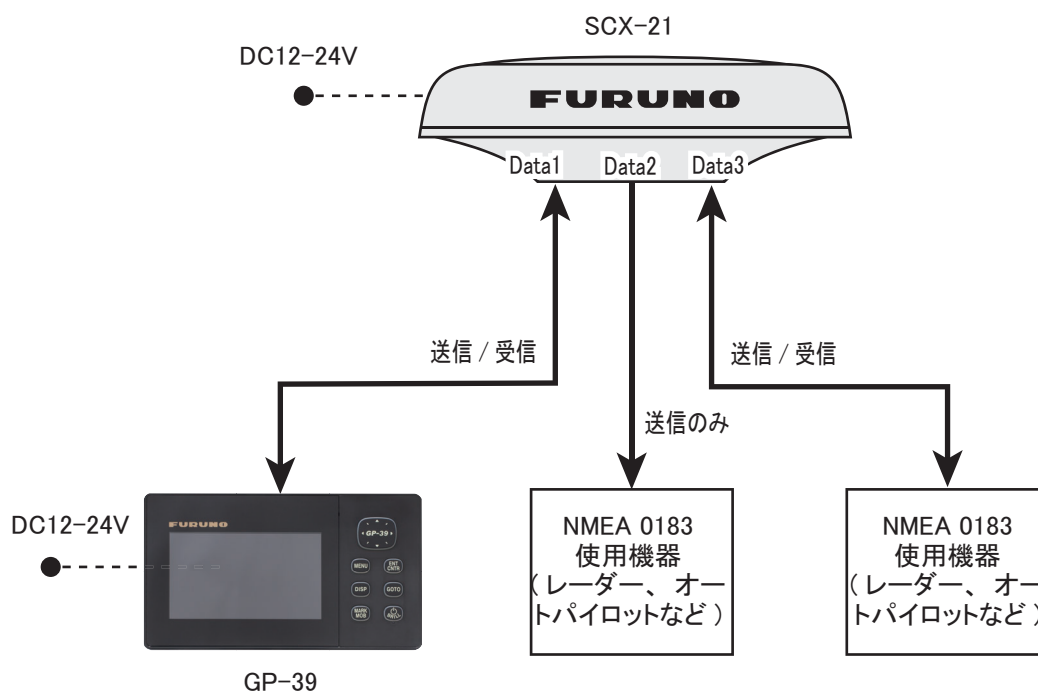
9. 設定を行うセンテンスを選択します。
10. 選択したセンテンスが出力されないようにするには、[オフ] を選択します。他のすべてのケースでは、センテンスに適切な出力サイクルを選択します。
11. 必要に応じて手順 9 と 10 を繰り返し、他のセンテンスのセットアップを行います (画面上部に表示されている使用している出力の割合に注意)
12. メニューを閉じます。

3.4.2 データ接続の設定

GP-39 には SIO ポートが 1 つしかないため、NMEA 0183 ネットワークへの接続は 1 つだけです。SCX-21 は「データリレー」として機能し、GP-39 への複数のデータ接続を可能にします。

接続例は下図の通りです。この機能の詳細については、お買い上げ先、または当社支店・営業所に依頼してください。

注) SCX-21 と GP-39 には異なる電源が必要です。GP-39 の電源ボタンから SCX-21 のオン/オフはできません。



SCX-21 の適切なデータポート（データ 1 からデータ 3）に外部機器を接続します。各ポートの役割を以下に示します。

データ 1：GP-39 を接続します。GP-39 と外部機器との間で、SCX-21 を経由してデータの送受信を行います。

データ 2：GP-39 から、SCX-21 経由で外部機器にデータを送信します。

データ 3：GP-39 と外部機器との間で、SCX-21 を経由して中継データを送受信します。

外部機器の設定

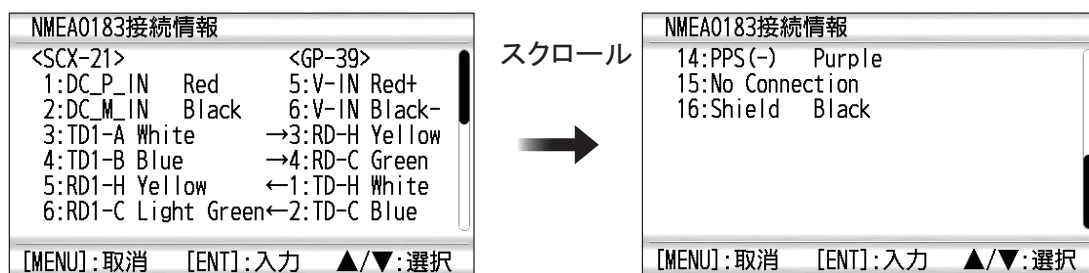
GP-39 に送信する出力データセンテンスを選択します。センテンスの出力を設定する方法については、外部機器の操作マニュアルを参照してください。

GP-39 の設定

[入出力設定] - [0183 OutVer. (GP-39)] メニューで、GP-39 から SCX-21 を経由して外部機器に出力するセンテンス形式を設定します。

3.5 SCX-21 と GP-39 の接続情報

SCX-21 と GP-39 の接続情報を表示するには、[入出力設定] - [NMEA0183 接続情報] を選択します。



このページは空白です。

4章 保守

4.1 保守点検

機器の性能を十分に発揮させるには、定期的な点検が必要です。定期的に次の項目を点検してください。

項目	チェックポイント	対処
コネクタ	コネクタすべてが確実に締まっているか確認する。	ケーブルのコネクタを確実に接続する。
ケーブル配線	ケーブルに傷などが無いか確認する。	ケーブル交換が必要な場合は、お買い上げ先、または当社支店・営業所に問い合わせる。
ユニットカバー	カバーの清掃	ほこりや汚れは、柔らかい乾いた布でふき取る。泥や塩などがこびり付いている場合は、濡れた布でゆっくりとふきます。清掃にシンナーやアセトン、アルコール、ベンジンなどのプラスチック溶剤は使用しないでください。表面の塗装や表示部の文字などが溶ける場合があります。

4.2 ヒューズの交換

過電流から本機を保護するために、ヒューズが付いています（電源ケーブル）。電源が入らないときは、まずヒューズを調べてみてください。ヒューズが原因の場合は、規定のヒューズと交換してください。ヒューズを交換しても再び切れるときは、お買い上げの販売店・代理店、最寄りの当社支店・営業所あてへお問い合わせください。

型式	コード番号
FRU-60V-FU-2A	000-195-429-10

4.3 対処：トラブルシューティング

「故障かな」と思ったら、まず次の点検を行ってください。修理は資格をもったサービスマンに依頼してください。また、サービスマンを呼ぶときには、点検した事柄を詳しく報告していただくと、サービスが迅速になります。

項目	考えられる要因	対処
データが出力されない	ケーブルの接続不良 / 損傷 / 欠陥	ケーブルコネクタがしっかりと接続されていることを確認する。またケーブルに損傷がないか確認する。本機に電力が正しく供給されていることを確認する。必要に応じて、お買い上げ先、または当社支店・営業所に問い合わせる。
	本機メニュー設定の不備	本機の出力設定が正しいか確認する。下記の設定について、接続機器の要求と一致していることを確認する。 <ul style="list-style-type: none"> ・フォーマット ・トーカー ・ボーレート
	表示部の設定不備	接続機器側の説明書を参照して、メニュー設定を確認する。
データが正しく出力されない	装備後の設定でオフセットが正しく設定されていない / 適用されていない	<ul style="list-style-type: none"> ・ 装備場所が適切か確認する ・ 接続されている他の機器での設定値を確認する。必要に応じて、オフセットを再調整する。
GLONASS 衛星が衛星モニターで表示されない	ANT4 が選択されている	アンテナ番号 4 は GLONASS 衛星を検知できないため、異なる衛星番号を選択して確認する。
自己診断テストが終了しない / 正しい結果を表示しない	本機が起動し、位置情報を取得する前に、自己診断テストが始まった	本機からのデータ出力が安定するまで待つから、自己診断テストを再度実施する。

4.4 GP-39 関連のエラーと対処法

この節では、SCX-21 の表示部として GP-39 として接続したときに発生する可能性のあるエラーについて説明します。GP-39 固有のエラーと対処法については、GP-39 の取扱説明書を参照してください。

エラーメッセージ	意味、考えられる要因、対処
船首方位エラー	意味：SCX-21 から船首方位データを 5 秒以上受信していない。
	考えられる要因：SCX-21 に電力が供給されていない。 対処：本機に電力が正しく供給されていることを確認する。必要に応じて、お買い上げ先、または当社支店・営業所に問い合わせる。
	考えられる要因：SCX-21 は現在診断テストモードであるか、出荷時設定へのリセットが進行中である。 対処：テスト、またはリセットが終わるまで待機する。

エラーメッセージ	意味、考えられる要因、対処
通信タイムアウト	意味：SCX-21 と GP-39 間の通信ができないか、中断されている。
	考えられる要因：接続不良 対処：ユニット間の接続を確認し、緩んでいる接続があれば締め直す。問題が解決しない場合はお買い上げ先、または当社支店・営業所に問い合わせる。
	考えられる要因：SCX-21 に電力が供給されていない。 対処：本機に電力が正しく供給されていることを確認する。必要に応じて、お買い上げ先、または当社支店・営業所に問い合わせる。
	考えられる要因：ケーブルの破損 対処：ケーブルに破損がないか確認する。必要に応じて、お買い上げ先、または当社支店・営業所に問い合わせる。
アンテナ1エラー	意味：アンテナの誤作動、または破損
アンテナ2エラー	対処：お買い上げ先、または当社支店・営業所に問い合わせる。
アンテナ3エラー	
アンテナ4エラー	
GPS エラー	意味：SCX-21 が、80 秒以上位置修正情報を取得できていない。 考えられる要因：障害物が多い 対処：周囲の障害物を確認し、必要に応じて機器の位置を変える。
	考えられる要因：選択したグループから利用可能な衛星が不足している。 対処：[GNSS Setup] - [禁止衛星] の設定を必要に応じて変更する。

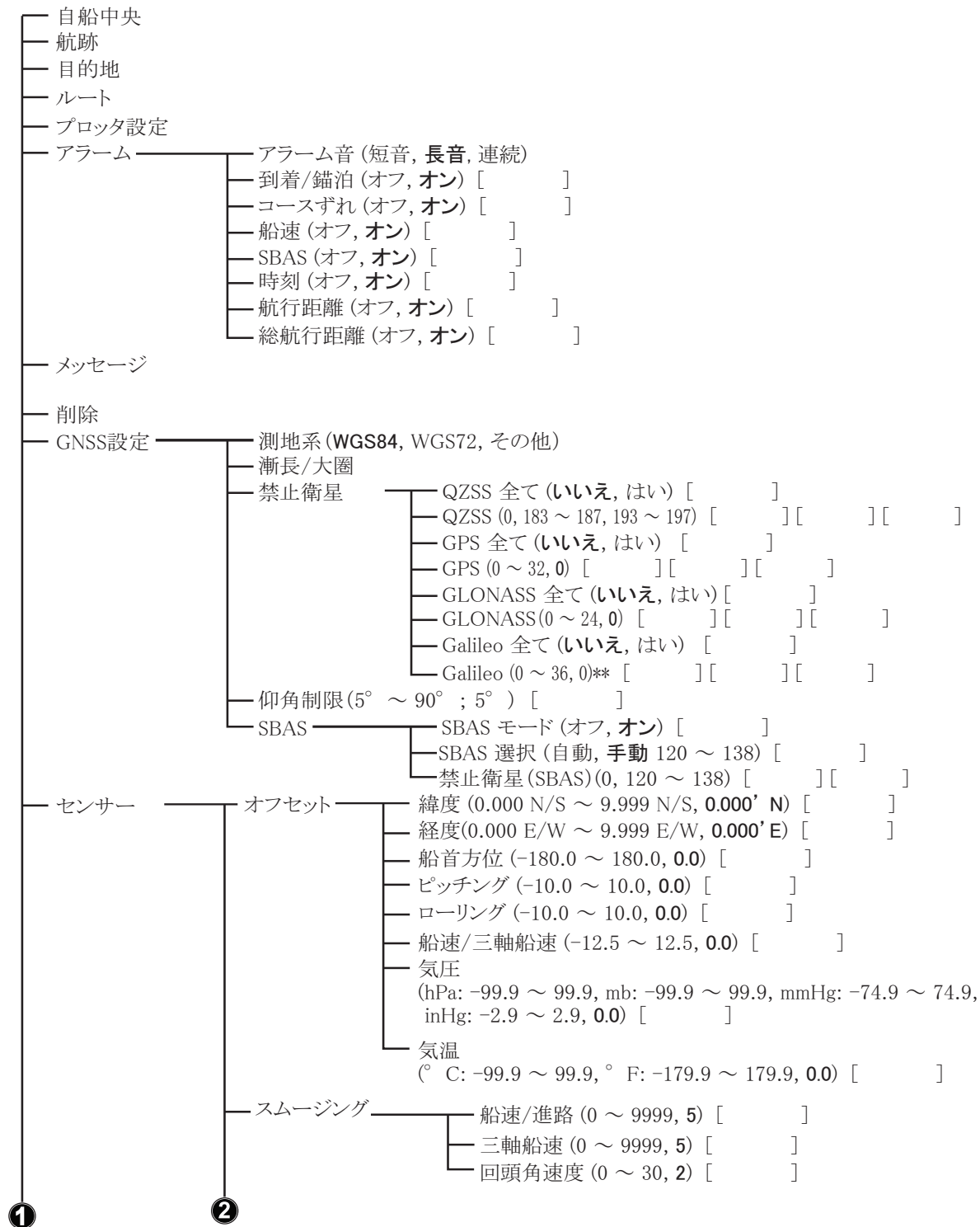
このページは空白です。

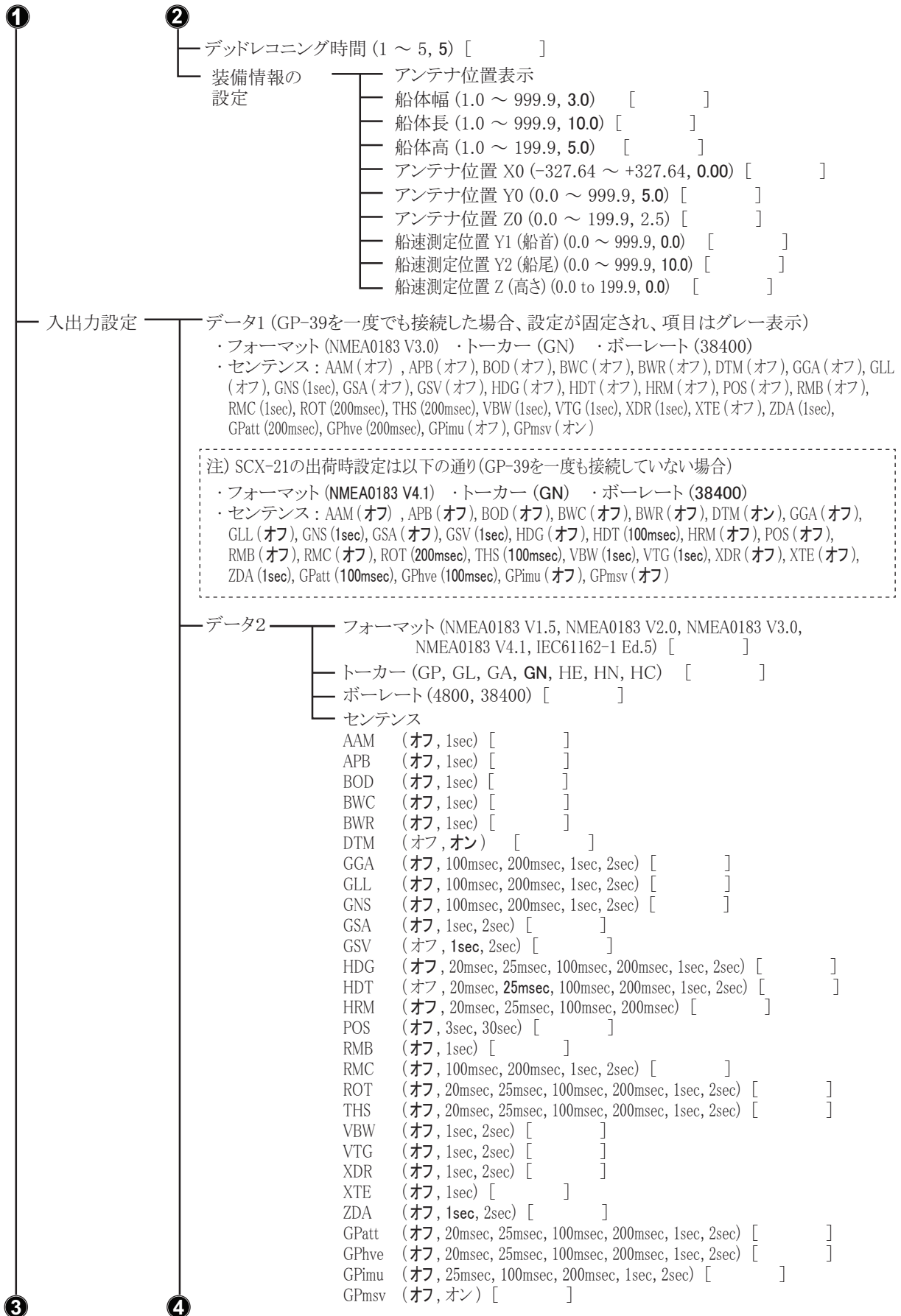
追補 1 メニューツリー

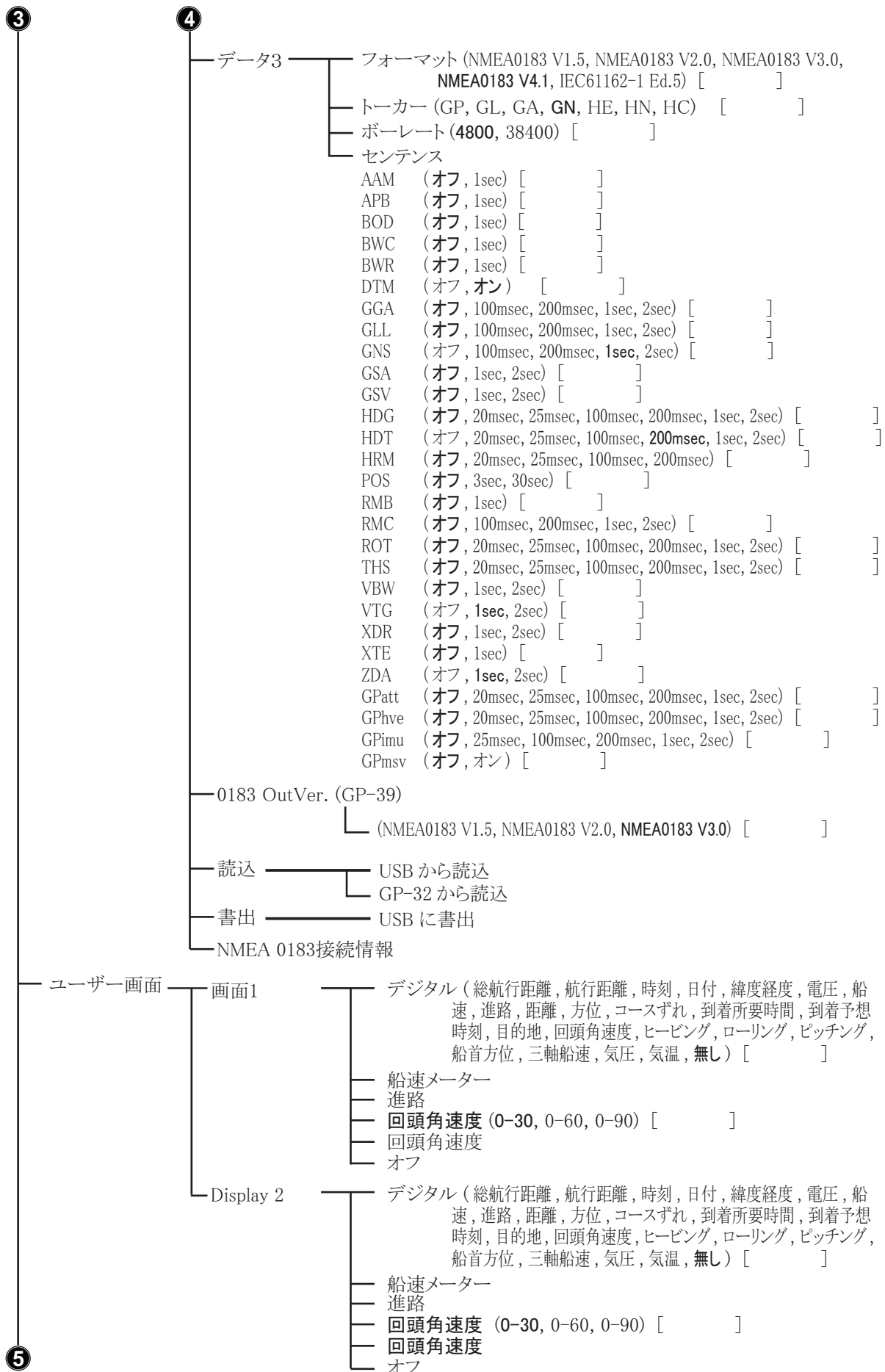
工場出荷値は、ゴシック体 (太字) で示しています。

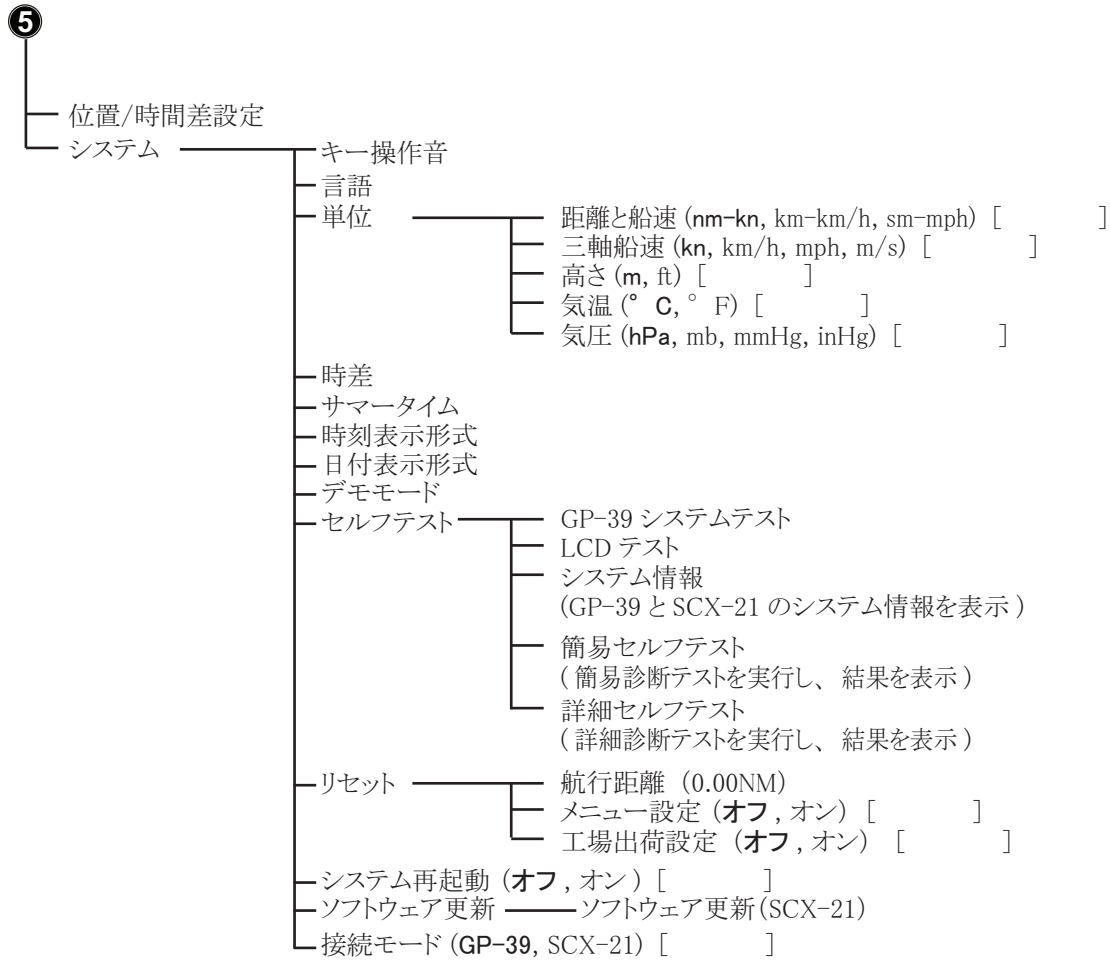
工場出荷値: ゴシック体(太字)

[MENU] キー

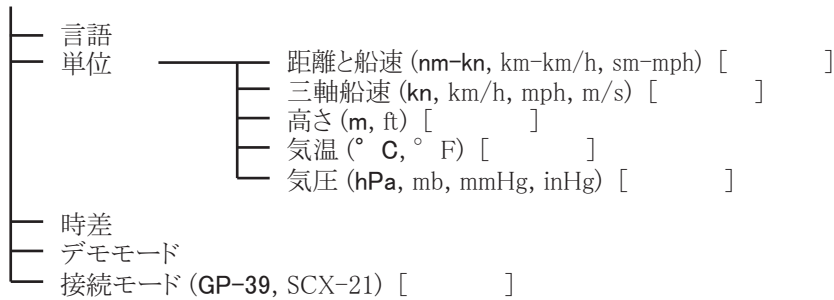








初期設定 (GP-39 起動時に表示)



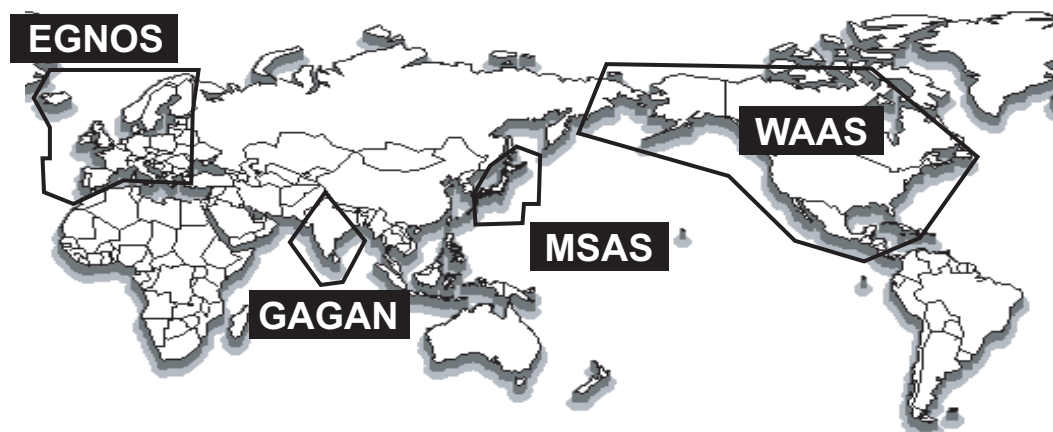
追補 2 測地系リスト

001: WGS84		
002: WGS72		
003: TOKYO	: Mean Value (Japan, Korea & Okinawa)	
004: NORTH AMERICAN 1927	: Mean Value (CONUS)	
005: EUROPEAN 1950	: Mean Value	
006: AUSTRALIAN GEODETIC 1984	: Australia & Tasmania	
007: ADINDAN	: Mean Value (Ethiopia & Sudan)	
008: ADINDAN	: Ethiopia	
009: ADINDAN	: Mali	
010: ADINDAN	: Senegal	
011: ADINDAN	: Sudan	
012: AFG	: Somalia	
013: AIN EL ABD 1970	: Bahrain Is.	
014: ANNA 1 ASTRO 1965	: Cocos Is.	
015: ARC 1950	: Mean Value	
016: ARC 1950	: Botswana	
017: ARC 1950	: Lesotho	
018: ARC 1950	: Malawi	
019: ARC 1950	: Swaziland	
020: ARC 1950	: Zaire	
021: ARC 1950	: Zambia	
022: ARC 1950	: Zimbabwe	
023: ARC 1960	: Mean Value (Kenya & Tanzania)	
024: ARC 1960	: Kenya	
025: ARC 1960	: Tanzania	
026: ASCENSION IS. 1958	: Ascension Is.	
027: ASTRO BEACON "E"	: Iwo Jima Is.	
028: ASTRO B4 SOR. ATOLL	: Tern Is.	
029: ASTRO POS 71/4	: St. Helena Is.	
030: ASTRONOMIC STATION 1952	: Marcus Is.	
031: AUSTRALIAN GEODETIC 1966	: Australia & Tasmania	
032: BELLEVUE (IGN)	: Efate & Erromango Is.	
033: BERMUDA 1957	: Bermuda Is.	
034: BOGOTA OBSERVATORY	: Columbia	
035: CAMPO INCHAUSPE	: Argentina	
036: CANTON IS. 1966	: Phoenix Is.	
037: CAPE	: South Africa	
038: CAPE CANAVERAL	: Mean Value (Florida & Bahama Is.)	
039: CARTHAGE	: Tunisia	
040: CHATHAM 1971	: Chatham Is. (New Zealand)	
041: CHUA ASTRO	: Paraguay	
042: CORREGO ALEGRE	: Brazil	
043: DJAKARTA (BATAVIA)	: Sumatra Is. (Indonesia)	
044: DOS 1968	: Gizo Is. (New Georgia Is.)	
045: EASTER IS. 1967	: Easter Is.	
046: EUROPEAN 1950 (Cont'd)	: Western Europe	
047: EUROPEAN 1950 (Cont'd)	: Cyprus	
048: EUROPEAN 1950 (Cont'd)	: Egypt	
049: EUROPEAN 1950 (Cont'd)	: England, Scotland, Channel & Shetland Is.	
050: EUROPEAN 1950 (Cont'd)	: England, Ireland, Scotland & Shetland Is.	
051: EUROPEAN 1950 (Cont'd)	: Greece	
052: EUROPEAN 1950 (Cont'd)	: Iran	
053: EUROPEAN 1950 (Cont'd)	: Italy, Sardinia	
054: EUROPEAN 1950 (Cont'd)	: Italy, Sicily	
055: EUROPEAN 1950 (Cont'd)	: Norway & Finland	
056: EUROPEAN 1950 (Cont'd)	: Portugal & Spain	
057: EUROPEAN 1979	: Mean Value	
058: GANDAJIKA BASE	: Republic of Maldives	
059: GEODETIC DATUM 1949	: New Zealand	
060: GUAM 1963	: Guam Is.	
061: GUX 1 ASTRO	: Guadalcanal Is.	
062: HJORSEY 1955	: Iceland	
063: HONG KONG 1963	: Hong Kong	
064: INDIAN	: Thailand & Vietnam	
065: INDIAN	: Bangladesh, India & Nepal	
066: IRELAND 1965	: Ireland	
067: ISTS 073 ASTRO 1969	: Diego Garcia	
068: JOHNSTON IS. 1961	: Johnston Is.	
069: KANDAWALA	: Sri Lanka	
070: KERGUELEN IS.	: Kerguelen Is.	
071: KERTAU 1948	: West Malaysia & Singapore	
072: LA REUNION	: Mascarene Is.	
073: L. C. 5 ASTRO	: Cayman Brac Is.	
074: LIBERIA 1964	: Liberia	
075: LUZON	: Philippines (excl. Mindanao Is.)	
076: LUZON	: Mindanao Is.	
077: MAHE 1971	: Mahe Is.	
078: MARCO ASTRO	: Salvage Islands	
079: MASSAWA	: Eritrea (Ethiopia)	
080: MERCHICH	: Morocco	
081: MIDWAY ASTRO 1961	: Midway Is.	
082: MINNA	: Nigeria	
083: NAHRWAN	: Masirah Is. (Oman)	
084: NAHRWAN	: United Arab Emirates	
085: NAHRWAN	: Saudi Arabia	
086: NAMIBIA	: Namibia	
087: MAPARIMA, BWI	: Trinidad & Tobago	
088: NORTH AMERICAN 1927	: Western United States	
089: NORTH AMERICAN 1927	: Eastern United States	
090: NORTH AMERICAN 1927	: Alaska	
091: NORTH AMERICAN 1927	: Bahamas (excl. San Salvador Is.)	
092: NORTH AMERICAN 1927	: Bahamas, San Salvador Is.	
093: NORTH AMERICAN 1927 (Cont'd)	: Canada (incl. Newfoundland Is.)	
094: NORTH AMERICAN 1927 (Cont'd)	: Alberta & British Columbia	
095: NORTH AMERICAN 1927 (Cont'd)	: East Canada	
096: NORTH AMERICAN 1927 (Cont'd)	: Manitoba & Ontario	
097: NORTH AMERICAN 1927 (Cont'd)	: Northwest Territories & Saskatchewan	
098: NORTH AMERICAN 1927 (Cont'd)	: Yukon	
099: NORTH AMERICAN 1927 (Cont'd)	: Canal Zone	
100: NORTH AMERICAN 1927 (Cont'd)	: Caribbean	
101: NORTH AMERICAN 1927 (Cont'd)	: Central America	
102: NORTH AMERICAN 1927 (Cont'd)	: Cuba	
103: NORTH AMERICAN 1927 (Cont'd)	: Greenland	
104: NORTH AMERICAN 1927 (Cont'd)	: Mexico	
105: NORTH AMERICAN 1983	: Alaska	
106: NORTH AMERICAN 1983	: Canada	
107: NORTH AMERICAN 1983	: CONUS	
108: NORTH AMERICAN 1983	: Mexico, Central America	
109: OBSERVATORIO 1966	: Corvo & Flores Is. (Azores)	
110: OLD EGYPTIAN 1930	: Egypt	
111: OLD HAWAIIAN	: Mean Value	
112: OLD HAWAIIAN	: Hawaii	
113: OLD HAWAIIAN	: Kauai	
114: OLD HAWAIIAN	: Maui	
115: OLD HAWAIIAN	: Oahu	
116: OMAN	: Oman	
117: ORDNANCE SURVEY OF GREAT BRITAIN 1936	: Mean Value	
118: ORDNANCE SURVEY OF GREAT BRITAIN 1936	: England	
119: ORDNANCE SURVEY OF GREAT BRITAIN 1936	: England, Isle of Man & Wales	
120: ORDNANCE SURVEY OF GREAT BRITAIN 1936	: Scotland & Shetland Is.	
121: ORDNANCE SURVEY OF GREAT BRITAIN 1936	: Wales	
122: PICO DE LAS NIVIES	: Canary Is.	
123: PITCAIRN ASTRO 1967	: Pitcairn Is.	
124: PROVISIONAL SOUTH CHILEAN 1963	: South Chile (near 53°S)	
125: PROVISIONAL SOUTH AMERICAN 1956	: Mean Value	
126: PROVISIONAL SOUTH AMERICAN 1956	: Bolivia	
127: PROVISIONAL SOUTH AMERICAN 1956	: Chile-Northern Chile (near 19°S)	
128: PROVISIONAL SOUTH AMERICAN 1956	: Chile-Southern Chile (near 43°S)	
129: PROVISIONAL SOUTH AMERICAN 1956	: Columbia	
130: PROVISIONAL SOUTH AMERICAN 1956	: Ecuador	
131: PROVISIONAL SOUTH AMERICAN 1956	: Guyana	
132: PROVISIONAL SOUTH AMERICAN 1956	: Peru	
133: PROVISIONAL SOUTH AMERICAN 1956	: Venezuela	
134: PUERTO RICO	: Puerto Rico & Virgin Is.	
135: QATAR NATIONAL	: Qatar	
136: QORNOQ	: South Greenland	
137: ROME 1940	: Sardinia Is.	
138: SANTA BRAZ	: Sao Miguel, Santa Maria Is. (Azores)	
139: SANTO (DOS)	: Espirito Santo Is.	
140: SAPPER HILL 1943	: East Falkland Is.	
141: SOUTH AMERICAN 1969	: Mean Value	
142: SOUTH AMERICAN 1969	: Argentina	
143: SOUTH AMERICAN 1969	: Bolivia	
144: SOUTH AMERICAN 1969	: Brazil	
145: SOUTH AMERICAN 1969	: Chile	
146: SOUTH AMERICAN 1969	: Columbia	
147: SOUTH AMERICAN 1969	: Ecuador	
148: SOUTH AMERICAN 1969	: Guyana	
149: SOUTH AMERICAN 1969	: Paraguay	
150: SOUTH AMERICAN 1969	: Peru	
151: SOUTH AMERICAN 1969	: Trinidad & Tobago	
152: SOUTH AMERICAN 1969	: Venezuela	
153: SOUTH ASIA	: Singapore	
154: SOUTHEAST BASE	: Porto Santo & Madeira Is.	
155: SOUTHWEST BASE	: Faial, Graciosa, Pico, Sao Jorge & Terceira Is.	
156: TIMBALAI 1948	: Brunei & East Malaysia (Sarawak & Sabah)	
157: TOKYO	: Japan	
158: TOKYO	: Korea	
159: TOKYO	: Okinawa	
160: TRISTAN ASTRO 1968	: Tristan da Cunha	
161: VITI LEVU 1916	: Viti Levu Is. (Fiji Is.)	
162: WAKE-ENIWETOK 1960	: Marshall Is.	
163: ZANDERIJ	: Surinam	
164: BUKIT RIMPAH	: Bangka & Belitung Is. (Indonesia)	
165: CAMP AREA ASTRO	: Camp McMurdo Area, Antarctica	
166: G. SEGARA	: Kalimantan Is. (Indonesia)	
167: HERAT NORTH	: Afghanistan	
168: HU-TZU-SHAN	: Taiwan	
169: TANANARIVE OBSERVATORY 1925	: Madagascar	
170: YACARE	: Uruguay	
171: RT-90	: Sweden	
172: CK42 (PULKOVO 1942)	: Russia	
173: FINNISH KKJ	: Finland	
174: PZ90	: Russia	
175: CK95	: Russia	

追補 3 SBAS のサービス範囲

静止衛星を使用した GPS の広域補強システムを総称して SBAS (Satellite Based Augmentation System) といいます。静止衛星から広範囲に GPS の誤差補正情報などが放送されるため、GPS 測位に比べ高精度に測位できます。

米国、欧州、日本、インドでは、広域補強システムを運用しており、相互に共通運用性があります。各プロバイダ (WAAS、EGNOS、MSAS、GAGAN) のサービス範囲については、下図を参照してください。本書では、WAAS、EGNOS、MSAS、GAGAN を含めて、「SBAS」と記載しています。



SBAS の衛星配置

プロバイダ	運用国	衛星の種類	経度	衛星番号
WAAS	米国	Intelsat Galaxy XV	133°W	135
		TeleSat Anik F1R	107.3°W	138
		Inmarsat-4-F3	98°W	133
EGNOS	欧州	Inmarsat-3-F2/AOR-E	15.5°W	120
		Artemis	21.5°E	124
		Inmarsat-4-F2	25°E	126
MSAS	日本	SES-5	5°E	136
		MTSAT-1R	140°E	129
GAGAN	インド	MTSAT-2	145°E	137
		GSAT-8	55°E	127
		GSAT-10	83°E	128

2014/3/6 現在

サテライトコンパス SCX-21 仕様

1. 総合

- | | |
|------------------------------|---|
| (1) 受信周波数 | 1575.42 MHz (GPS/Galileo/QZSS/SBAS)、1602.5625 MHz (GLONASS) |
| (2) 受信コード | C/A コード (GPS/QZSS/SBAS)、E1B (Galileo)、L10F (GLONASS) |
| (3) 姿勢角精度 | ヘディング/ロール/ピッチ
1.0° rms (静止時)、0.5° rms (動揺時) |
| (4) 追従角速度 | 45° /s |
| (5) ヒープ精度 | 5 cm (1σ) |
| (6) 姿勢角静定時間 | 約 60 秒 |
| (7) 測位精度 (電離層、マルチパスの状態により変化) | |
| GNSS | 約 5 m (2drms、HDOP<4) |
| MSAS | 約 4 m (2drms、HDOP<4) |
| WAAS | 約 3 m (2drms、HDOP<4) |
| (8) 初期捕捉時間 | 約 50 秒 |
| (9) 更新周期 | 姿勢角：最大 50 Hz、位置：最大 10 Hz |
| (10) 船速精度 | |
| SOG | 0.02 kn (衛星 5 個以上)
0.2 kn (衛星 3~4 個) |
| VBW (対地船速) | 0.02 kn (衛星 5 個以上、空中線位置)
0.08 kn (衛星 5 個以上、空中線位置以外)
船速の 2.0% または 0.02 kn のいずれか大きい方 (衛星 3~4 個) |
| (11) 環境センサー | |
| 気圧 | 測定範囲：850~1100 hPa (周囲温度 0~+50°C)
精度：±1.0 hPa (オフセット調整後) |
| 気温 | 測定範囲：-20°C~+55°C (相対風速 4kn 以上)
精度：±2.0°C (オフセット調整後) |
| (12) タイミング (1PPS) 精度 | 50 μs |

2. インターフェイス

- | | |
|---------------------------------------|---|
| (1) ポート数 | NMEA0183：送信 3 チャンネル、受信 2 チャンネル
PPS：1 チャンネル、RS-485、立ち上がりエッジ同期 |
| (2) データセンテンス | |
| 入力 | AAM*, APB*, BOD*, BWC*, BWR*, RMB*, TLL*, XTE* |
| 出力 (トーカー：GN/GA/GL/GP/HC/HE, デフォルト：GN) | AAM*, APB*, BOD*, BWC*, BWR*, DTM, GGA, GLL, GNS, GSA, GSV, HDG, HDT, HRM, POS, RMB*, RMC**, ROT, THS, VBW, VTG, XDR, XTE*, ZDA |
| 出力 (トーカー：SD) | TLL* |
| (3) 出力 P センテンス | |
| PFEC | GPatt, GPhve, GPimu, pidat, SDmrk*, GPmsv, hdcom |

*：GP-39 が必要

**：速度の更新周期は最大 200 ms (5 Hz)

3. 電源

DC12-24 V (10.8-31.2V) : 0.2-0.1 A

4. 環境条件

- (1) 使用温度範囲 -25℃～+55℃ (保存温度：-30℃～+70℃)
- (2) 相対湿度 95%以下 (+40℃)
- (3) 保護等級 IP56
- (4) 振動 IEC60945 Ed. 4

5. ユニットカラー

N9.5

PACKING LIST

20BK-X-9852 -1 1/1

SCX-21-*

A-1

NAME	UNIT	OUTLINE	DESCRIPTION/CODE No.	Q'TY
サテライトコンパス SATELLITE COMPASS			SCX-21 000-036-767-00	1
予備品				
予備品			SP20-01901 001-556-110-00	1
工事材料				
ケーブル(組品) CABLE ASSEMBLY			FRU-OF-F15M 001-556-560-00	1
工事材料			CP20-04601 001-556-150-00	1
ポールマウントキット POLE MOUNT KIT			CP20-04603 001-556-200-00	1
マスト取付金具 MAST MOUNTING KIT			CP20-04605 001-556-240-00	1 (*1)
図書				
取扱説明書(和/英) OPERATOR'S MANUAL (JP/EN)			OMC-72870-* 000-195-294-1*	1

(*1)の工事材料はP-M仕様のみ必要
(*1) IS ONLY REQUIRED FOR P-M SPECIFICATION

(略図の寸法は、参考値です。 DIMENSIONS IN DRAWING FOR REFERENCE ONLY.)

C7287-Z01-B

FURUNO

A-2

CODE NO.	TYPE	001-556-150-00	20BK-X-9401-0		
		CP20-04601	1/1		
工事材料表					
INSTALLATION MATERIALS					
番号 NO.	名称 NAME	略図 OUTLINE	型名/規格 DESCRIPTIONS	数量 Q'TY	用途/備考 REMARKS
1	UP SET UI SCREW		MSX20 SUS304 000-160-442-10	3	

(略図の寸法は、参考値です。 DIMENSIONS IN DRAWING FOR REFERENCE ONLY.)

FURUNO ELECTRIC CO., LTD.

C7286-M01-A

FURUNO

CODE NO.	001-556-200-00	20BK-X-9403-0	1/1
TYPE	CP20-04603		

工事材料表

INSTALLATION MATERIALS

番号 NO.	名称 NAME	略図 OUTLINE	型名/規格 DESCRIPTIONS	数量 QTY	用途/備考 REMARKS
1	ポールマウント POLE MOUNT ASSEMBLY		CP20-04604 CODE NO. 001-556-210-00	1	
2	ロックナット LOCK NUT		Z0-040-1118-0 CODE NO. 100-429-750-10	1	
3	接着剤 ADHESIVE		T85Z11-506 CODE NO. 001-477-870-00	1	

(略図の寸法は、参考値です。 DIMENSIONS IN DRAWING FOR REFERENCE ONLY.)

FURUNO ELECTRIC CO., LTD.

C7286-M03-A

FURUNO

CODE NO.	001-556-240-00	20BK-X-9404-0	1/1
TYPE	CP20-04605		

工事材料表

INSTALLATION MATERIALS

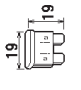
番号 NO.	名称 NAME	略図 OUTLINE	型名/規格 DESCRIPTIONS	数量 QTY	用途/備考 REMARKS
1	パイプ PIPE		Z0-007-3011-4 CODE NO. 100-183-264-10	1	
2	取付補助金具 FIXING SUPPORT FIXTURE		Z0-040-1117-2 CODE NO. 100-429-742-10	1	
3	ケーブルタイ CABLE TIE		CV-150B CODE NO. 000-167-183-10	1	
4	ホースクリップ (ABA) HOSE CLAMP		SUS316 12MM 38-50 CODE NO. 000-196-736-10	2	

(略図の寸法は、参考値です。 DIMENSIONS IN DRAWING FOR REFERENCE ONLY.)

FURUNO ELECTRIC CO., LTD.

C7286-M04-A

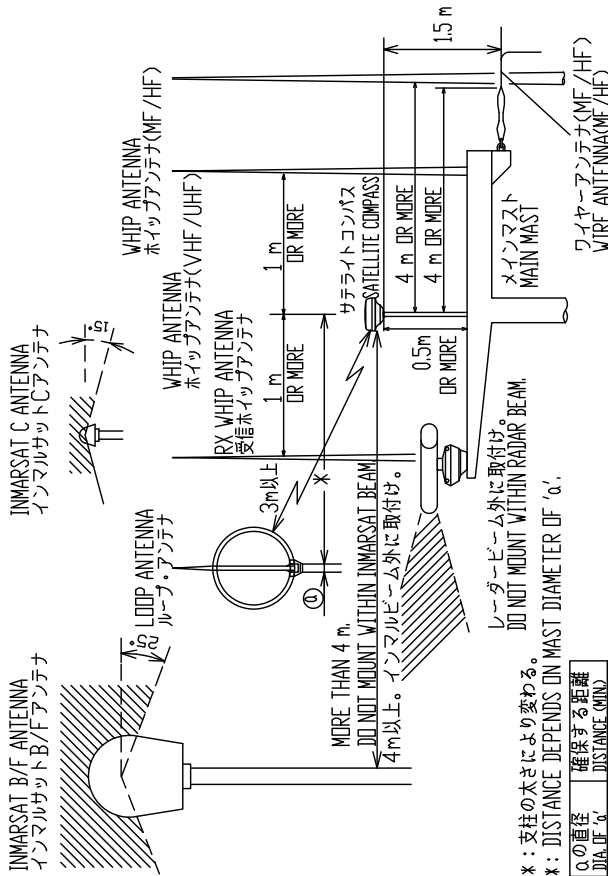
FURUNO

SHIP NO.		SPARE PARTS LIST FOR					U S E		REMARKS/CODE NO.	
CODE NO.	001-556-110-00	BOX NO.	P	208K-X-9301-0		1/1				
TYPE	SP20-01901									SETS PER VESSEL
ITEM NO.	NAME OF PART	OUTLINE	DWG. NO. OR TYPE NO.	QUANTITY	WORKING PER SET	SPARE				
1	1/4" FUSE		FRU-60V-FU-2A	0	0	2	000-195-429-10			
MFR'S NAME	FURUNO ELECTRIC CO., LTD.			DWG NO.	C7287-P01-A				1/1	

(船長の寸法は、参考値です。 DIMENSIONS IN DRAWING FOR REFERENCE ONLY.)

取付位置
MOUNTING LOCATION

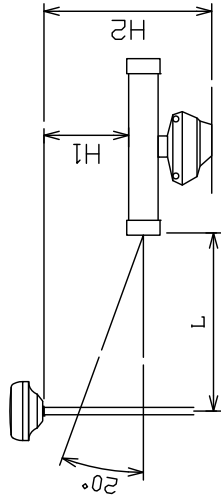
他の機器のアンテナから下の図の距離以上離す。
THIS FIGURE SHOWS THE SEPARATION DISTANCES FROM OTHER ANTENNAS TO AVOID MUTUAL INTERFERENCE.



* : 支柱の太さにより変わる。
* : DISTANCE DEPENDS ON MAST DIAMETER OF 'a'.

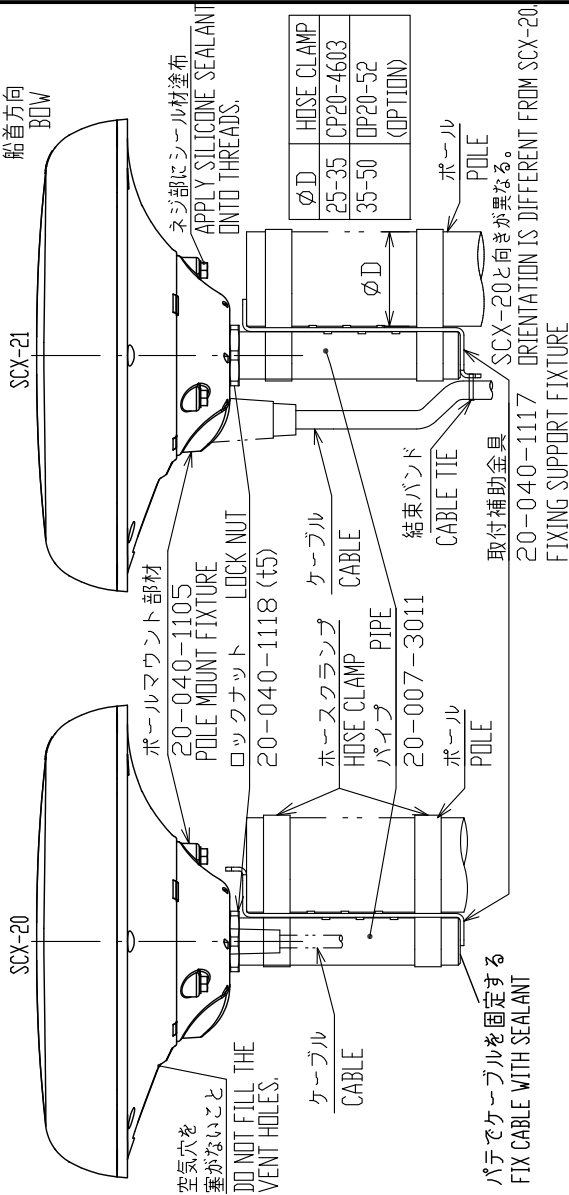
径の直径	確保する距離
DIA. OF 'a'	DISTANCE (MIN)
10 cm	1.5 m
30 cm	3 m

B) レーダー空中線部との位置関係
RADAR ANTENNA LOCATION



H2が1m以上、Lが3m以上の時、レーダーからの仰角は20度以上。
Lが3m未満のときは、H1は0.8m以上とすること。
IF H2 IS AT LEAST 1 m AND L IS MORE THAN 3 m, THE ELEVATION ANGLE FROM THE RADAR SHOULD BE MORE THAN 20°. IF L IS LESS THAN 3 m, H1 SHOULD BE MORE THAN 0.8 m.

A) マストへの取付け
MAST MOUNTING



C) 取付ける場所が傾斜しているとき
ANTENNA BASE MOUNTING ON INCLINATION SURFACE

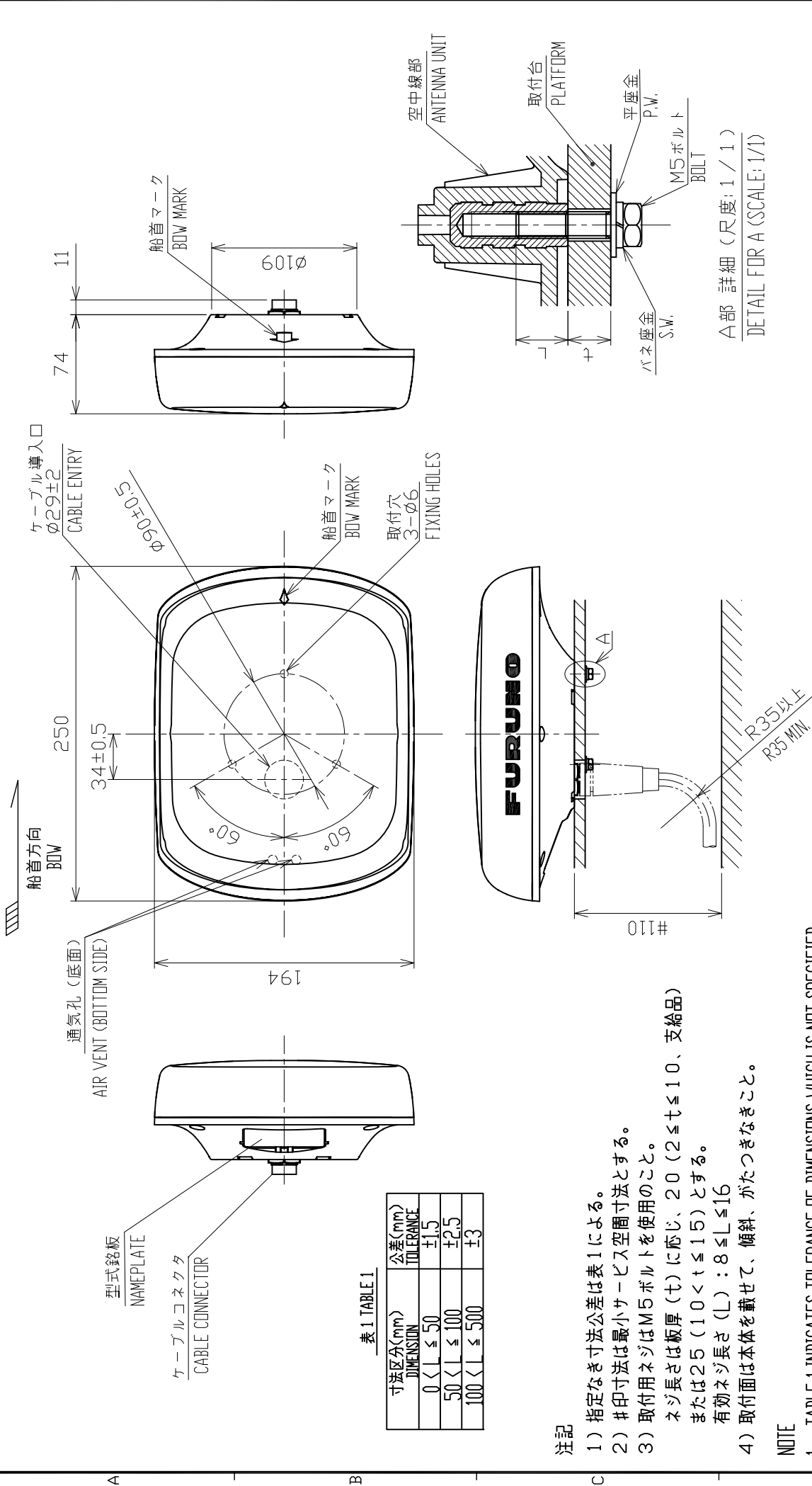
オプションのアンテナベースを使う。
USE OPTIONAL ANTENNA BASE.

傾斜	INCLINATION
-5° - 33°	

アンテナベース基部
MOUNTING DIMENSIONS OF ANTENNA BASE.

名称	NAME
直型アンテナベース <td>RIGHT ANGLE ANTENNA BASE </td>	RIGHT ANGLE ANTENNA BASE
型式	TYPE
No.13-QA330	
コード番号	CODE No.
000-803-C39	

DRAWN	27/Sep/2019 T.YAMASAKI	TITLE	SCX-20/21
CHECKED	27/Sep/2019 H.MAKI	名称	サテライトコンパス
APPROVED	27/Sep/2019 H.MAKI	装備要領図	
SCALE	1/25	NAME	SATELLITE COMPASS
FIG. No.	C7286-Y01-A	REF. No.	INSTALLATION PROCEDURE



DRAWN	18/JUL/2019	A. MURAO	TITLE	SCX-21
CHECKED	18/JUL/2019	I. YAMASAKI	名称	サテライトコンパス
APPROVED	31/JUL/2019	H. MAKI	外寸図	
SCALE	1/4	PLSS 1.0	NAME	SATELLITE COMPASS
DWG. No.	C7287-G01-B	REF. No.	20-040-101G-1	OUTLINE DRAWING

1) 指定なき寸法公差は表1による。
 2) #印寸法は最小サービス空間寸法とする。
 3) 取付用ネジはM5ボルトを使用のこと。
 ネジ長さは板厚 (t) に応じ、20 (2 ≤ t ≤ 10、支給品) または25 (10 < t ≤ 15) とする。
 有効ネジ長さ (L) : 8 ≤ L ≤ 16
 4) 取付面は本体を載せて、傾斜、がたつきなきこと。

NOTE
 1. TABLE 1 INDICATES TOLERANCE OF DIMENSIONS WHICH IS NOT SPECIFIED.
 2. # MINIMUM SERVICE CLEARANCE
 3. USE M5 BOLTS FOR FIXING THE UNIT.
 SCREW LENGTH SHOULD BE 20 (2 ≤ t ≤ 10) OR 25 (10 < t ≤ 15), † THICKNESS OF PLATFORM.
 EFFECTIVE THREAD LENGTH (L): 8 ≤ L ≤ 16.
 4. MOUNTING AREA MUST BE LEVEL AND STABLE.

表1 TABLE 1

寸法区分 (mm) DIMENSION	公差 (mm) TOLERANCE
L ≤ 50	±1.5
50 < L ≤ 100	±2.5
100 < L ≤ 500	±3

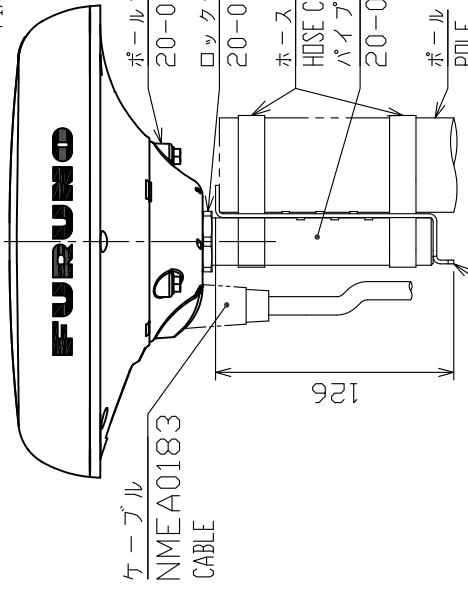
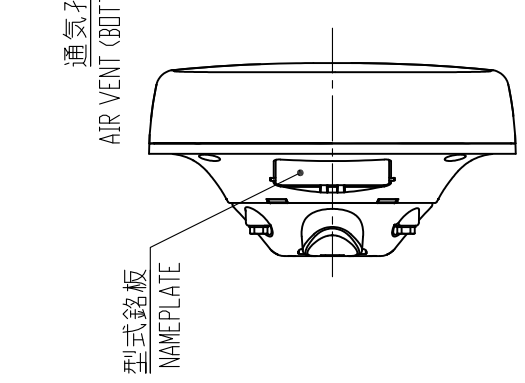
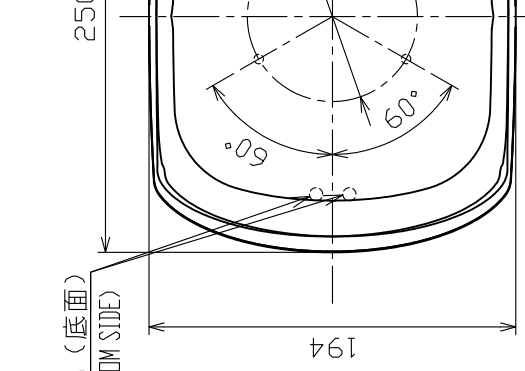
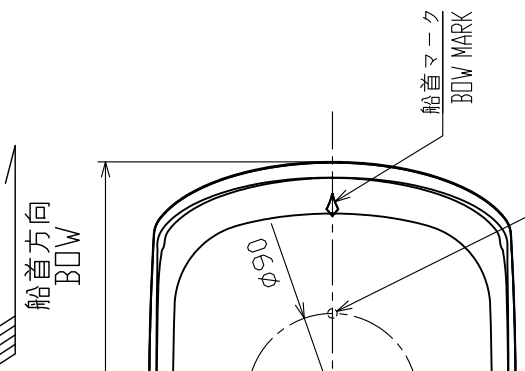
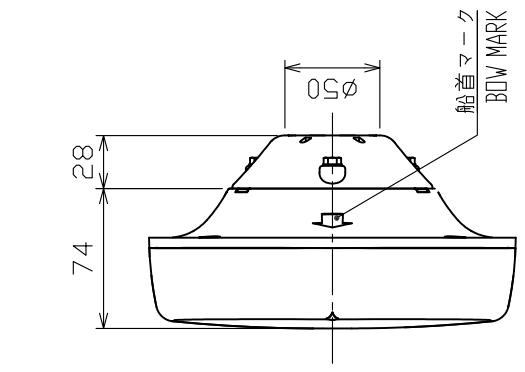


表2 TABLE 2

適応ポール径 POLE DIAMETER	型式 MODEL
φ25-35 (20A-25A)	CP20-4603 (標準) STANDARD
φ35-50 (32A-40A)	DP20-52 (オプション) OPTION

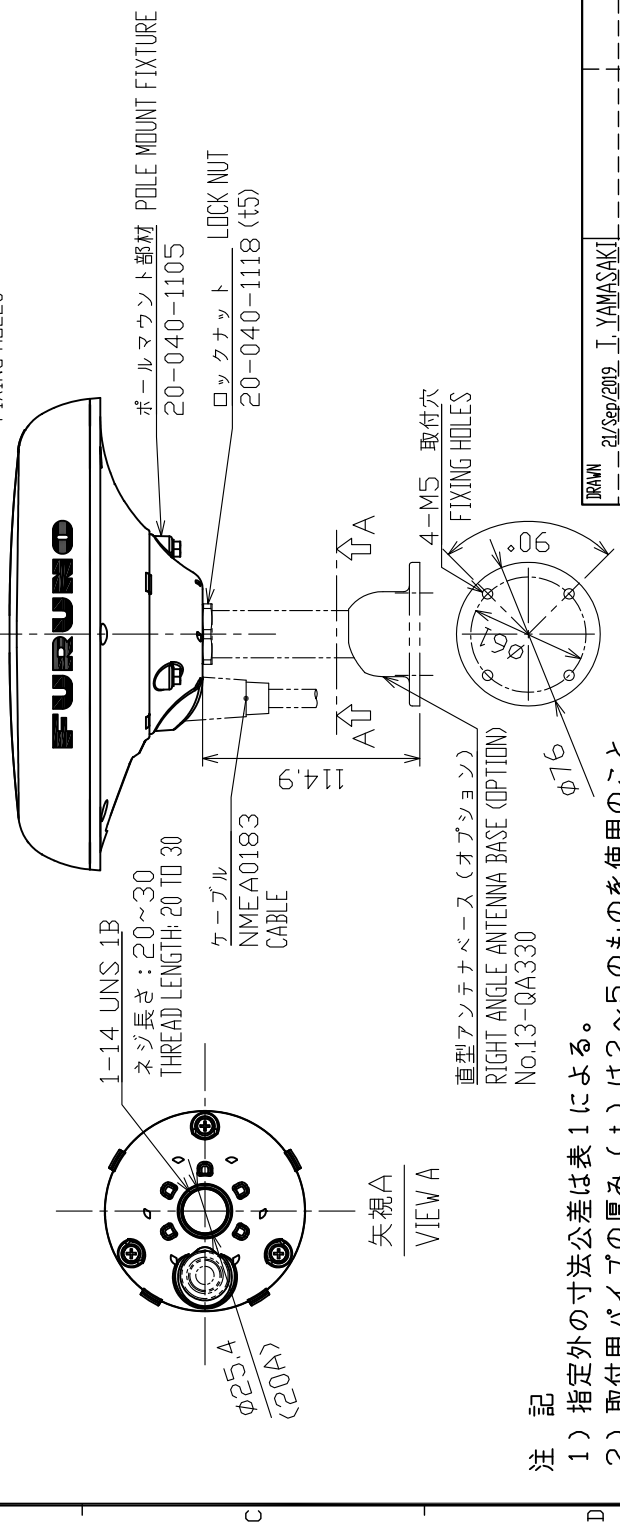
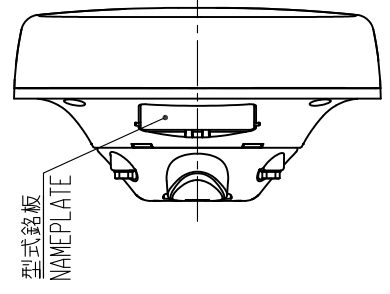
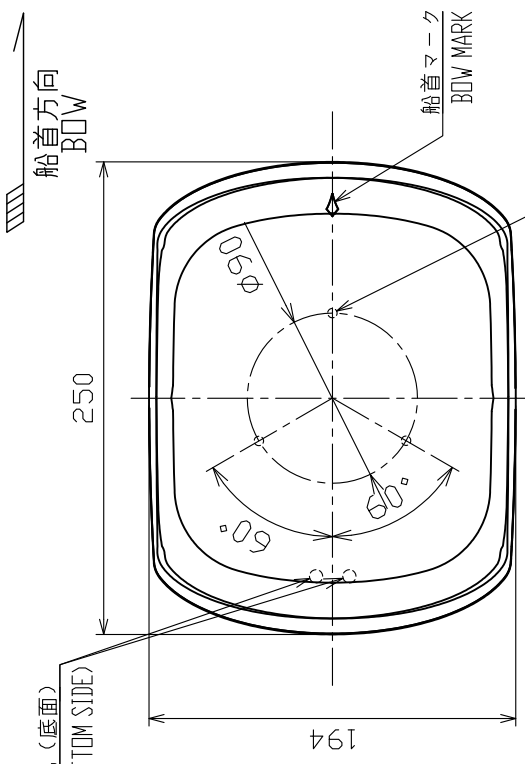
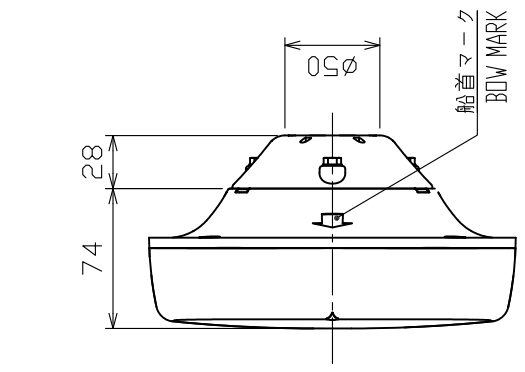
注 記
 1) 指定外の寸法公差は表 1 による。
 2) 適応するホースクランプは表 2 による。

NOTE
 1. TABLE 1 INDICATES TOLERANCE OF DIMENSIONS WHICH IS NOT SPECIFIED.
 2. TABLE 2 INDICATES HOSE CLAMP SIZE.

DRAWN	21/Sep/2019	T. YAMASAKI	TITLE	SCX-21
CHECKED	21/Sep/2019	H. MAKI	名称	サテライトコンパス (ポールマウント)
APPROVED	24/Sep/2019	H. MAKI	外寸図	
SCALE	1/4	質量はケーブル・工材を含みません。 MASS DOES NOT INCLUDE CABLE/INST. MATERIAL.	NAME	SATELLITE COMPASS (POLE MOUNT)
DWG. No.	C7287-G02-C	REF. No.	20-040-103G-2	OUTLINE DRAWING

表1 TABLE 1

寸法区分 (mm) DIMENSION	公差 (mm) TOLERANCE
L ≤ 50	±1.5
50 < L ≤ 100	±2.5
100 < L ≤ 500	±3



DRAWN	21/Sep/2019	I. YAMASAKI	TITLE	SCX-21
CHECKED	21/Sep/2019	H. MAKI	名称	サテライトコンパス (直型アンテナベース)
APPROVED	24/Sep/2019	H. MAKI	外寸図	
SCALE	1/4	質量 1.2 kg	NAME	SATELLITE COMPASS (RIGHT ANGLE ANTENNA BASE)
DWG.No.	C7287-G03-A	質量はケーブル・工材を含みません。 MASS DOES NOT INCLUDE CABLE/MST. MATERIAL.	REF.No.	20-040-106G-0
				OUTLINE DRAWING

注記

1) 指定外の寸法公差は表1による。

2) 取付用パイプの厚み (t) は2~5のものを使用のこと。

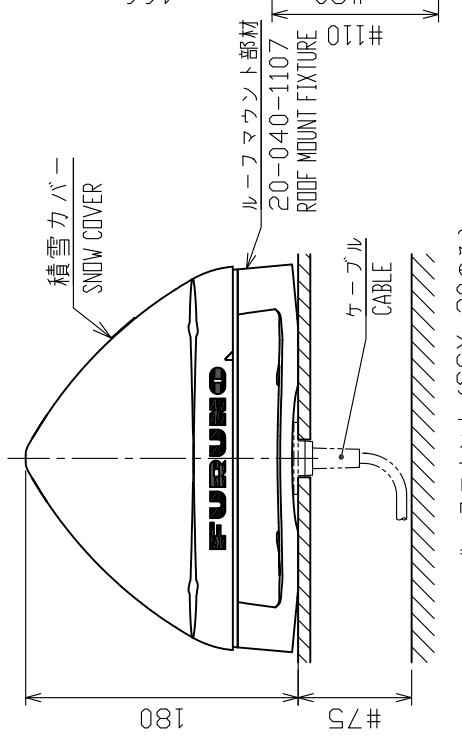
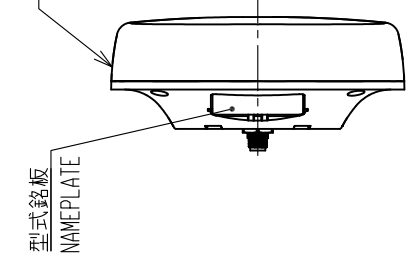
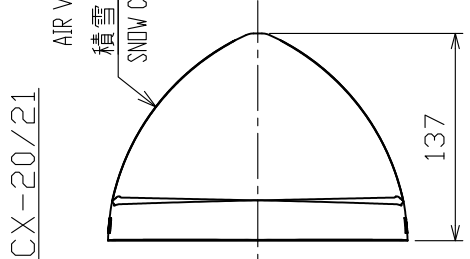
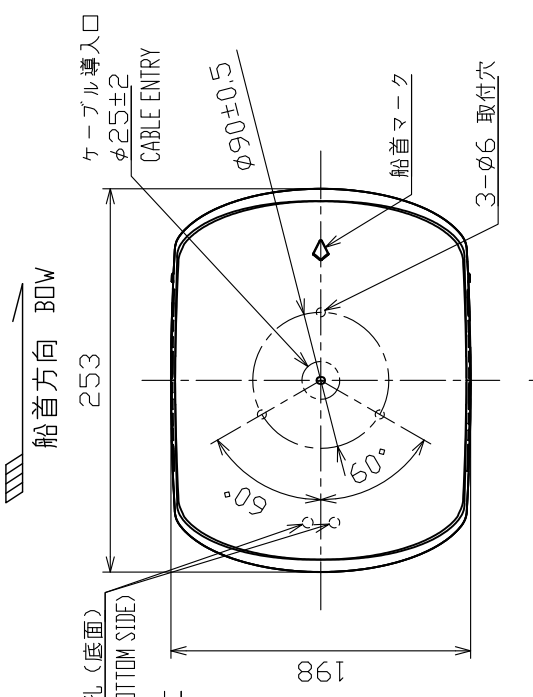
NOTE

1. TABLE 1 INDICATES TOLERANCE OF DIMENSIONS WHICH IS NOT SPECIFIED.

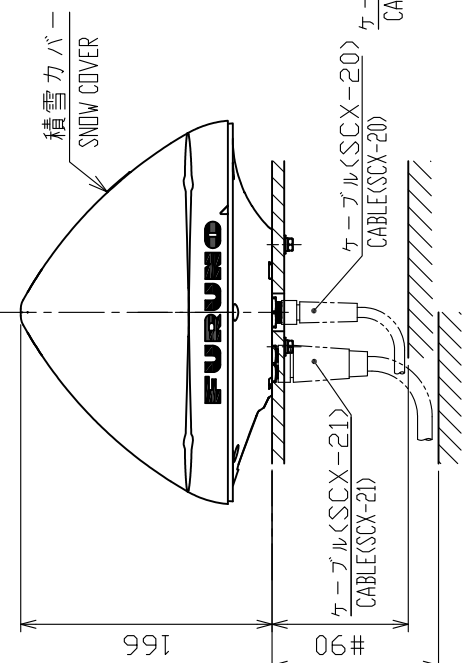
2. THICKNESS OF FIXING PIPE (t): 2 TO 5 mm.

表1 TABLE 1

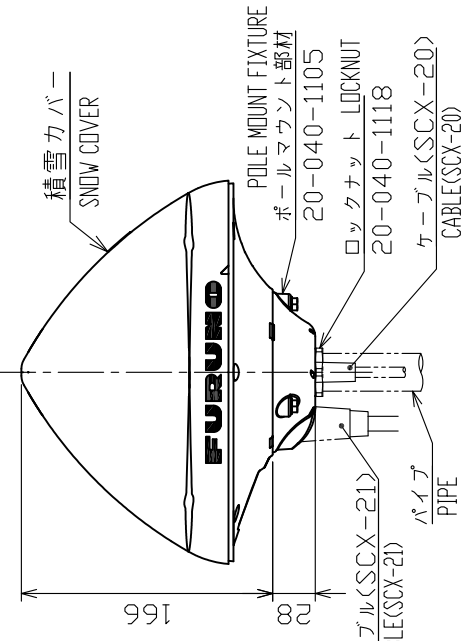
寸法区分 (mm) DIMENSION	公差 (mm) TOLERANCE
L ≤ 50	±1.5
50 < L ≤ 100	±2.5
100 < L ≤ 500	±3



ルーフマウント (SCX-20のみ)
ROOF MOUNT (SCX-20 ONLY)



マストマウント
MAST MOUNT



ポールマウント
POLE MOUNT

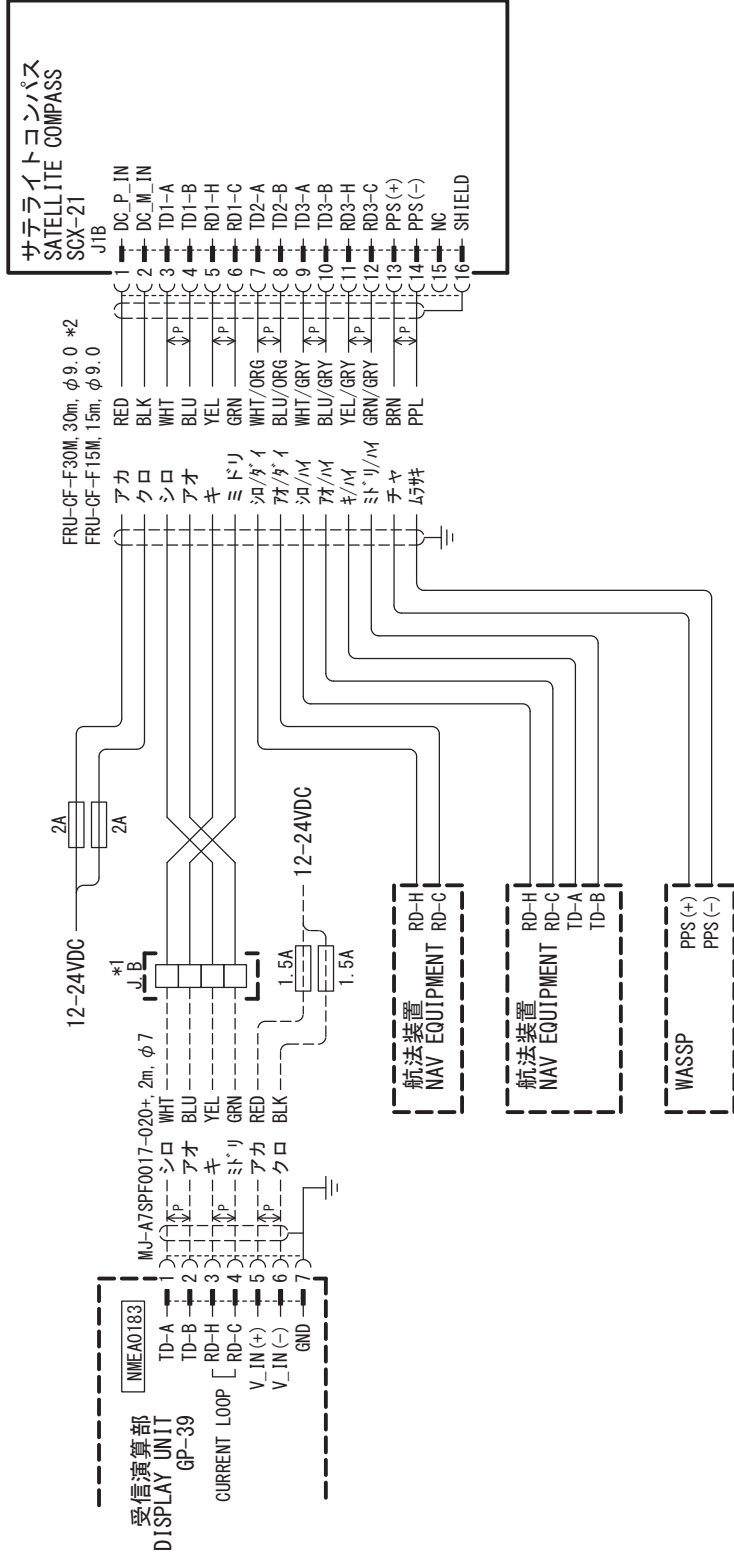
注 記

- 1) 指定外の寸法公差は表1による。
- 2) #印寸法は最小サービス空間寸法とする。

NOTE

1. TABLE 1 INDICATES TOLERANCE OF DIMENSIONS WHICH IS NOT SPECIFIED.
2. #: MINIMUM SERVICE CLEARANCE.

DRAWN	26/Nov/2019	J. YAMASAKI	TITLE	SCX-20/21
CHECKED	26/Nov/2019	H. MAKI	名称	積雪カバー
APPROVED	27/Nov/2019	H. MAKI	装備要領	
SCALE	1/5	1/5	NAME	SNOW COVER
DWG. No.	C7286-Y02-A	REF. No.	20-040-110G-1	
INSTALLATION INSTRUCTION				



注記

- * 1) 造船所手配。
- * 2) オプション。

NOTE

- * 1: SHIPYARD SUPPLY.
- * 2: OPTION.

DRAWN 29/Sep/2020 CHECKED 29/Sep/2020 APPROVED 29/Sep/2020 SCALE DWG. No.	T. YAMASAKI H. MAKI 29/Sep/2020 H. MAKI MASS kg C7287-C01-D	TITLE 名称 相互結線図 SATELLITE COMPASS INTERCONNECTION DIAGRAM	SCX-21 サテライトコンパス 相互結線図 SATELLITE COMPASS
--	--	--	---

Declaration of Conformity

[SCX-21]

- Bulgarian (BG)** С настоящото Furuno Electric Co., Ltd. декларира, че гореспоменат тип радиосъоръжение е в съответствие с Директива 2014/53/ЕС, СИ 2017/1206. Цялостният текст на ЕС/УК декларацията за съответствие може да се намери на следния интернет адрес:
- Spanish (ES)** Por la presente, Furuno Electric Co., Ltd. declara que el tipo de equipo radioeléctrico arriba mencionado es conforme con la Directiva 2014/53/UE, SI 2017/1206. El texto completo de la declaración de conformidad de la EU/UK está disponible en la siguiente dirección Internet:
- Czech (CS)** Tímto Furuno Electric Co., Ltd. prohlašuje, že výše zmíněné typ rádiového zařízení je v souladu se směrnicí 2014/53/EU, SI 2017/1206. Úplné znění EU/SK prohlášení o shodě je k dispozici na této internetové adrese:
- Danish (DA)** Hermed erklærer Furuno Electric Co., Ltd., at ovennævnte radioudstyr er i overensstemmelse med direktiv 2014/53/EU, SI 2017/1206. EU/UK-overensstemmelseserklæringens fulde tekst kan findes på følgende internetadresse:
- German (DE)** Hiermit erklärt die Furuno Electric Co., Ltd., dass der oben genannte Funkanlagentyp der Richtlinie 2014/53/EU, SI 2017/1206 entspricht. Der vollständige Text der EU/UK-Konformitätserklärung ist unter der folgenden Internetadresse verfügbar:
- Estonian (ET)** Käesolevaga deklareerib Furuno Electric Co., Ltd., et ülalmainitud raadioseadme tüüp vastab direktiivi 2014/53/EL, SI 2017/1206 nõuetele. EL/GB vastavusdeklaratsiooni täielik tekst on kättesaadav järgmisel internetiaadressil:
- Greek (EL)** Με την παρούσα η Furuno Electric Co., Ltd., δηλώνει ότι ο προαναφερθέντας ραδιοεξοπλισμός πληροί την οδηγία 2014/53/ΕΕ, SI 2017/1206. Το πλήρες κείμενο της δήλωσης συμμόρφωσης ΕΕ/UK διατίθεται στην ακόλουθη ιστοσελίδα στο διαδίκτυο:
- English (EN)** Hereby, Furuno Electric Co., Ltd. declares that the above-mentioned radio equipment type is in compliance with Directive 2014/53/EU, SI 2017/1206. The full text of the EU/UK declaration of conformity is available at the following internet address:
- French (FR)** Le soussigné, Furuno Electric Co., Ltd., déclare que l'équipement radioélectrique du type mentionné ci-dessus est conforme à la directive 2014/53/UE, SI 2017/1206. Le texte complet de la déclaration UE/RU de conformité est disponible à l'adresse internet suivante:
- Croatian (HR)** Furuno Electric Co., Ltd. ovime izjavljuje da je gore rečeno radijska oprema tipa u skladu s Direktivom 2014/53/EU, SI 2017/1206. Cjeloviti tekst EU/UK izjave o sukladnosti dostupan je na sljedećoj internetskoj adresi:
- Italian (IT)** Il fabbricante, Furuno Electric Co., Ltd., dichiara che il tipo di apparecchiatura radio menzionato sopra è conforme alla direttiva 2014/53/UE, SI 2017/1206. Il testo completo della dichiarazione di conformità UE/RU è disponibile al seguente indirizzo Internet:
- Latvian (LV)** Ar šo Furuno Electric Co., Ltd. deklarē, ka augstāk minēts radioiekārta atbilst Direktīvai 2014/53/ES, SI 2017/1206. Pilns ES/AK atbilstības deklarācijas teksts ir pieejams šādā interneta vietnē:

- Lithuanian (LT) Aš, Furuno Electric Co., Ltd., patvirtinu, kad pirmiau minėta radijo įrenginių tipas atitinka Direktyvą 2014/53/ES, SI 2017/1206.
Visas ES/JK atitikties deklaracijos tekstas prieinamas šiuo interneto adresu:
- Hungarian (HU) Furuno Electric Co., Ltd. igazolja, hogy fent említett típusú rádióberendezés megfelel a 2014/53/EU, SI 2017/1206 irányelvnek.
Az EU/EK-megfelelőségi nyilatkozat teljes szövege elérhető a következő internetes címen:
- Maltese (MT) B'dan, Furuno Electric Co., Ltd., niddikjara li msemmija hawn fuq-tip ta' taghmir tar-radju huwa konformi mad-Direttiva 2014/53/UE, SI 2017/1206.
It-test kollu tad-dikjarazzjoni ta' konformità tal-UE/RU huwa disponibbli f'dan l-indirizz tal-Internet li ġej:
- Dutch (NL) Hierbij verklaar ik, Furuno Electric Co., Ltd., dat het hierboven genoemde type radioapparaat conform is met Richtlijn 2014/53/EU, SI 2017/1206.
De volledige tekst van de EU/VK-conformiteitsverklaring kan worden geraadpleegd op het volgende internetadres:
- Polish (PL) Furuno Electric Co., Ltd. niniejszym oświadcza, że wyżej wymieniony typ urządzenia radiowego jest zgodny z dyrektywą 2014/53/UE, SI 2017/1206.
Pełny tekst deklaracji zgodności UE/UK jest dostępny pod następującym adresem internetowym:
- Portuguese (PT) O(a) abaixo assinado(a) Furuno Electric Co., Ltd. declara que o mencionado acima tipo de equipamento de rádio está em conformidade com a Diretiva 2014/53/UE, SI 2017/1206.
O texto integral da declaração de conformidade da EU/UK está disponível no seguinte endereço de Internet:
- Romanian (RO) Prin prezenta, Furuno Electric Co., Ltd. declară că echipamentul radio menționat mai sus este în conformitate cu Directiva 2014/53/UE, SI 2017/1206.
Textul integral al declarației de conformitate UE/RU este disponibil la următoarea adresă internet:
- Slovak (SK) Furuno Electric Co., Ltd. týmto vyhlasuje, že vyššie spomínané rádiové zariadenie typu je v súlade so smernicou 2014/53/EÚ, SI 2017/1206.
Úplné EÚ/SK vyhlásenie o zhode je k dispozícii na tejto internetovej adrese:
- Slovenian (SL) Furuno Electric Co., Ltd. potrjuje, da je zgoraj omenjeno tip radijske opreme skladen z Direktivo 2014/53/EU, SI 2017/1206.
Celotno besedilo izjave EU/ZK o skladnosti je na voljo na naslednjem spletnem naslovu:
- Finnish (FI) Furuno Electric Co., Ltd. vakuuttaa, että yllä mainittu radiolaitetyyppi on direktiivin 2014/53/EU, SI 2017/1206 mukainen.
EU/UK-vaatimustenmukaisuusvakuutuksen täysimittainen teksti on saatavilla seuraavassa internetosoitteessa:
- Swedish (SV) Härmed försäkrar Furuno Electric Co., Ltd. att ovan nämnda typ av radioutrustning överensstämmer med direktiv 2014/53/EU, SI 2017/1206.
Den fullständiga texten till EU/Storbritannien-försäkran om överensstämmelse finns på följande webbadress:

Online Resource

http://www.furuno.com/en/support/red_doc

Notice for radiated immunity

The test for the radiated immunity is performed up to 2.7 GHz only without the special condition of spot frequency being applied. There is a chance that this equipment may interfere with allocated services in the frequency range of 2.7 GHz to 6 GHz, particularly in harbors, rivers, lake banks, etc.