

COLOR LCD FISH FINDER

Model **FCV-288**

FURUNO

SPECIFICATIONS OF FCV-288

GENERAL

Frequency 50 and 200 kHz
Output Power 1/2/3 kW

DISPLAY

Display Type 10.4" color LCD
Pixel Number 640 x 480 (VGA)
Display Single frequency (50 or 200 kHz), Dual-frequency, Nav data, A-scope, Marker zoom, Bottom zoom, Bottom-lock

Basic Range

5-3,000 m (16-9,000 ft)*

*m, ft can be selected in the menu

Alarm Bottom, Fish (Type, Level, Depth), Temperature, Battery

Language

Chinese, English, Thai, Vietnamese, Indonesian, Spanish, French

Range Phasing Up to 2,000 m (6,000 ft)

Expansion Range 5-200 m (16-600 ft)

Picture Advance Speed

8 steps: stop, 1/16, 1/8, 1/4, 1/2, 1/1, 2, 4

Pulselength & PRR 0.1-3 ms

Interface

Input: RMA, RMC, GLL, GGA, GNS, MWV, VTG, VHW, MTW, MDA, HDT, HDG
Output: DBS, DBT, DPT, MTW*, TLL*, VHW*
* External data required.

ENVIRONMENT

Temperature -15°C to +55°C

Waterproofing IPX2 (front), IPX0 (rear)

POWER SUPPLY

12-24 VDC, 20 W

EQUIPMENT LIST

Standard

1. Display Unit FCV-288
2. Installation Materials and Standard Spare Parts

Option

1. Speed/Temperature Sensor
ST-02MSB (Thru-hull, bronze), ST-02PSB (Thru-hull, plastic), T-02MTB (Transom, bronze), T-02MSB (Thru-hull, bronze), T-03MSB (Thru-hull, bronze)
2. Connector Kit for Connection of Speed & Temperature Sensor or Temperature Sensor
3. NMEA cable MJ-A6SPF0003-050C (5 m)
CO-SPEVV-SB-C 2P x 0.2LF (5/10/15 m)
4. Rectifier PR-62

Transducers

1. Specify when ordering

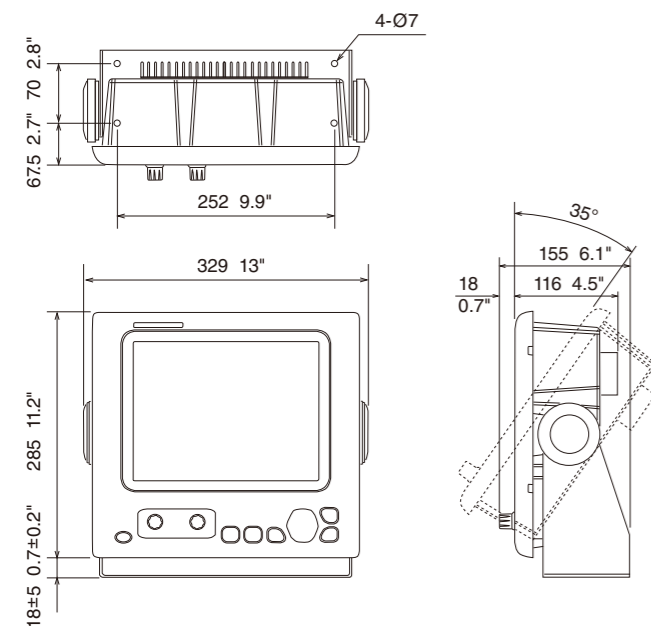
1 kW	50 kHz:	50B-6/6B, 50B-9B
	200 kHz:	200B-5S
2 kW	50/200 kHz:	50/200-1T
	50 kHz:	50BL-12HR
3 kW	200 kHz:	200B-8/8B
	50 kHz:	50BL-24HR
	200 kHz:	200B-12H

2. For retrofitting only

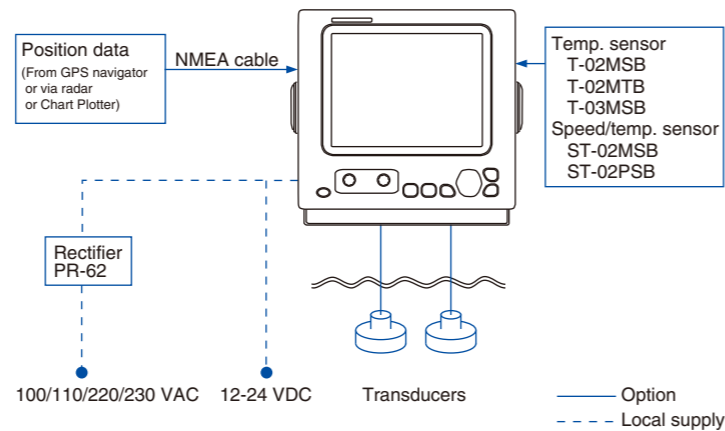
2 kW	50 kHz:	50B-12, 50BL-12
3 kW	50 kHz:	50F-24H, 50BL-24H

DISPLAY UNIT

6.6 kg 14.6 lb



INTERCONNECTION DIAGRAM



COLOR LCD FISH FINDER

Model **FCV-288**



SPECIFICATIONS SUBJECT TO CHANGE WITHOUT NOTICE
All brand and product names are registered trademarks, trademarks or service marks of their respective holders

FURUNO ELECTRIC CO., LTD.
Nishinomiya, Hyogo, Japan
www.furuno.com

FURUNO U.S.A., INC.
Camas, Washington, U.S.A.
www.furunousa.com

FURUNO (UK) LIMITED
Havant, Hampshire, U.K.
www.furuno.co.uk

FURUNO FRANCE S.A.S.
Bordeaux-Mérignac, France
www.furuno.fr

FURUNO ESPAÑA S.A.
Madrid, Spain
www.furuno.es

FURUNO DANMARK A/S
Hvidovre, Denmark
www.furuno.dk

FURUNO NORGE A/S
Ålesund, Norway
www.furuno.no

FURUNO SVERIGE AB
Västra Frölunda, Sweden
www.furuno.se

FURUNO FINLAND OY
Espoo, Finland
www.furuno.fi

FURUNO POLSKA Sp. z o.o.
Gdynia, Poland
www.furuno.pl

FURUNO EURUS LLC
St. Petersburg, Russian Federation
www.furuno.com.ru

FURUNO DEUTSCHLAND GmbH
Reilingen, Germany
www.furuno.de

FURUNO HELLAS S.A.
Piraeus, Greece
www.furuno.gr

RICO (PTE) LTD
Singapore
www.rico.com.sg

12073SK Printed in Japan
Catalogue No. E-412



www.furuno.com

The FCV-288 provides you with true versatility of information to help you fish efficiently.

- ▶ 10.4" high performance color LCD Fish Finder for professional fishermen
- ▶ FURUNO Digital Filter technology delivers crystal clear target presentation
- ▶ 1/2/3 kW powerful output power
- ▶ Choice of 50 kHz/200 kHz transducer
- ▶ Ease of operation by automatic control of range and gain
- ▶ Post-processing gain control applies to all existing returns on the display
- ▶ White Edge/White Line features – Discriminate fish lying near the bottom



COLOR LCD FISH FINDER
Model **FCV-288**

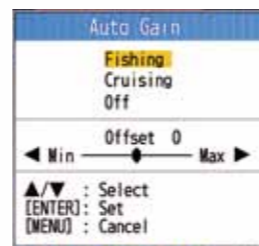
FURUNO Digital Filter Technology

FURUNO digital filter optimizes the gain to obtain highly defined images of underwater conditions. The FCV-288 can clearly show target fish close to the seabed. The digital filter also eliminates noise to deliver sharp and detailed echo presentation, achieving detection of fishing reef and even individual fish with absolute clarity.



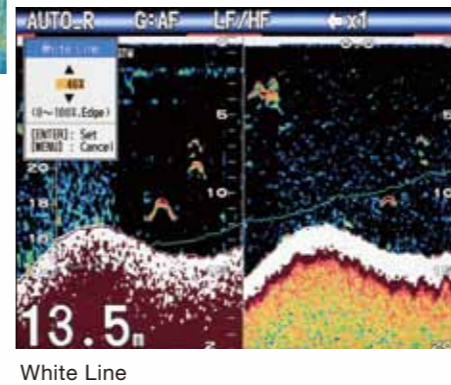
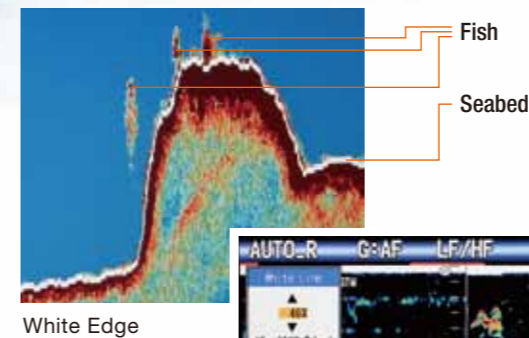
Offering a broad variety of presentation modes with fast and simple operation

There are four basic operation modes: Single (50 or 200 kHz), Dual (50/200 kHz), Zoom (Marker Zoom/Bottom Zoom/Bottom Lock) and Nav. Other features include White Edge/Line, White Marker, A-Scope, Alarm (fish, depth or temp) and Temperature graph. For operation simplicity, an Auto mode is provided.



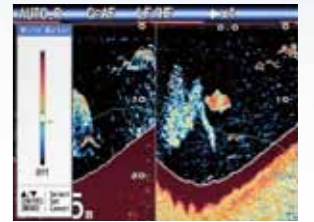
White Edge/White Line

The top of the seabed is displayed in white to easily discern seabed structure from bottom fish returns. While conventional bottom discrimination function called "White Line" is applied to the strongest echoes, the White Edge function enhances the discrimination of bottom fish and seabed by painting a very thin line above the bottom contour regardless of gain setting or display color.



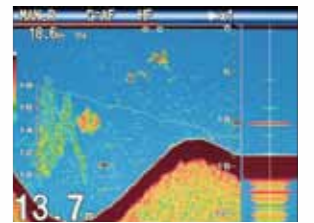
White Marker

The white marker displays a specific echo color in white. This feature is useful for emphasizing echoes having a specific strength.



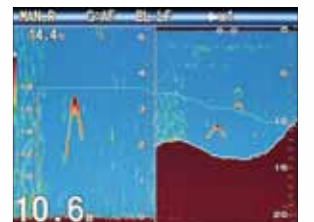
A-Scope

The A-Scope picture on the right side of the screen shows an instantaneous echo envelope at each ping, clearly showing echo differentials and positional relationship. This is useful for closer observation of target depth.



Bottom Lock

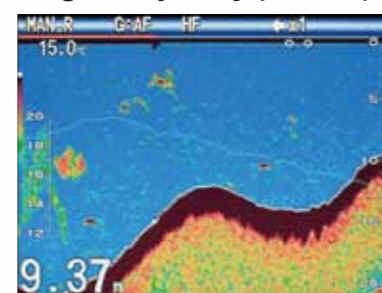
The bottom lock display provides a normal picture on the right half of the screen and a wider layer in contact with the bottom is expanded onto the left half of the screen. This mode is useful for detecting bottom fish.



Dual frequency

The 50 kHz picture appears on the left, the 200 kHz picture on the right. This display is useful for comparing the same picture with two different frequencies.

Single frequency (200 kHz)



Post-processing Gain Control

With the FCV-288's Quick Gain Control, changes you make to Gain setting are applied not only to new echoes, but also to all past echoes on the screen. You can compare past and current echoes under the same gain setting. Because the changes are applied to both new and existing returns, you can quickly and easily determine the right gain setting for your conditions.

The difference of sounding between 50 kHz and 200 kHz

Transducer options are offered in 200 kHz or 50 kHz. The 200 kHz is advantageous to find fish in shallow water or to discriminate fish from water contamination. It is suitable in most echo sounding over the continental shelf. The 50 kHz transducer is recommended for deeper range fishing or detecting if the bottom conditions are soft or hard.

Frequency	Resolution	Beamwidth	Detection range	Bottom tail
50 kHz	Low	Wide	Deep	Long
200 kHz	High	Narrow	Shallow	Short