

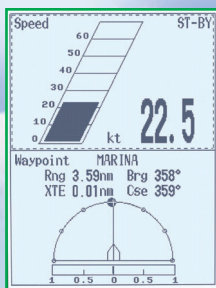
FURUNO®

High-Performance 2.2 kW transceiver in an 18" radome

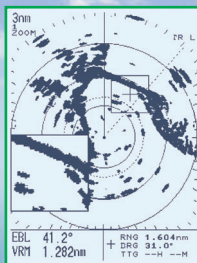
7" LCD RADAR

MODEL 1715

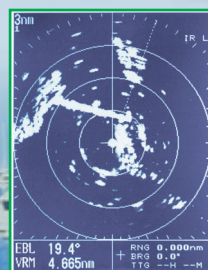
- High Contrast 7" Silver Bright LCD for excellent sunlight viewability
- 14 range scales from 0.125 to 24 nm
- Low power consumption in Watchman mode - only 8 W
- Dual bandwidth IF amplifier: broad band for high definition in short ranges, narrow band for enhanced detection in long ranges
- Variable antenna speeds with range scales for optimum performance on all ranges
- Cursor position can be read in L/L (GPS navigator is required)
- Programmable Navigation Data repeater feature
- Zoom in to a specific area
- Reverse video feature for effective use at night
- Guard Zone Alarm (US Patent No.5032842)



NAV DATA



ZOOM



REVERSE



The future today with FURUNO's electronics technology.

FURUNO ELECTRIC CO., LTD.

9-52 Ashihara-cho, Nishinomiya City, Japan Phone: +81 (0)798 65-2111
Fax: +81 (0)798 65-4200, 66-4622 URL: www.furuno.co.jp

Catalogue No. R-183

TRADE MARK REGISTERED
MARCA REGISTRADA

The MODEL 1715 is a high contrast LCD radar designed for pleasure craft and small fishing boats. Radar echoes are presented in four shades of gray on the 7" Silver Bright LCD. The Radar offers detailed pictures of coastline and targets at short ranges thanks to narrower pulselengths and dual IF bandwidths. The antenna rotation speed automatically changes depending on the range selection for optimum target detection. The compact, waterproof display allows table top or panel mounting in the cockpit or on the open fly bridge.

The radar has a power saving Watchman mode. In this mode, the antenna is stopped and the transmission is off, while the screen displays nav data only. The radar wakes up at a specified time interval (5, 10 or 20 min) and operates for a minute. If a target enters the Guard Zone, an audible alarm sounds and the radar goes into its normal operating

mode, cancelling the Watchman mode. The alarm may also be set to work for a target leaving the Zone.

Other standard features include: EBL (Electronic Bearing Line), VRM (Variable Range Marker), TLL output (Target L/L), Cursor L/L readout, Echo Trail, Guard Zone Alarm, Anti Clutter Rain, Automatic control of tuning and sensitivity. The A/C RAIN control improves the target detection in the rain by elaborate design of the receiver.

With use of nav data inputs in NMEA 0183 format, the radar offers additional functions. Graphical and numeric waypoint information can be shown on the display. The Waypoint is indicated by a lollipop mark for easy identification on the radar display. In the TLL output function, you can output a specified target's L/L by using the cursor to the optional GPS navigator as a mark.

SPECIFICATIONS OF MODEL 1715

ANTENNA

Type Microstrip radiator enclosed in ø460 mm (18") radome
Beamwidth Hor. 5.2°, Vert. 25°
Rotation Speed 24 rpm (3 to 24 nm), 31 rpm (1 to 2 nm)
 41 rpm (0.125 to 0.75 nm)

RF TRANSCEIVER

Frequency 9410 ± 30 MHz (X-band)
Pulselength & PRR 0.8 µs/600 Hz (3 to 24 nm)
 0.3 µs/1200 Hz (1 to 2 nm)
 0.08 µs/3000 Hz (0.125 to 0.75 nm)
Peak Output Power 2.2 kW nominal
IF Amplifier IF: 60 MHz
 BW: 5 MHz (1 to 24 nm)
 15 MHz (0.125 to 0.75 nm)

DISPLAY

Display Unit 7" monochrome LCD, 4 gray tones,
 240 x 320 pixels, 102 mm (W) x 138 mm (H)
Accuracy Range: 1.0 % of range in use or 8 m,
 whichever is greater
 Bearing: EBL accuracy ±1°

Range and Range Ring Interval

Range: 0.125, 0.25, 0.5, 0.75, 1, 1.5, 2, 3, 4, 6, 8, 12, 16, 24 nm
 Ring: .0625 .125 .125 .25 .25 .5 .5 1 1 2 2 3 4, 6 nm

Echo Trail

Interval: 30 s, 1, 3, 6 min, or continuous

Interface (NMEA 0183 format)

Input: DPT (Depth), HDT (Compass), MTW (Water temperature), VBW (Dual ground/water speeds), VTG (COG, SOG), ZDA (UTC), etc.

Output: TLL (Target L/L)

ENVIRONMENT

Temperature (IEC 60945 Test method)
 Antenna Unit: -25°C to +70°C Display Unit: -15°C to +55°C
Waterproofing (IEC 60529 Test method)
 Antenna Unit: IEC IPX6, CFR46 (USCG)
 Display Unit: IEC IPX5, CFR46 (USCG)

POWER SUPPLY

12 to 24 VDC, 38 W (max), 8 W (in Watchman mode)
 115/230 VAC with optional rectifier PR-62

EQUIPMENT LIST

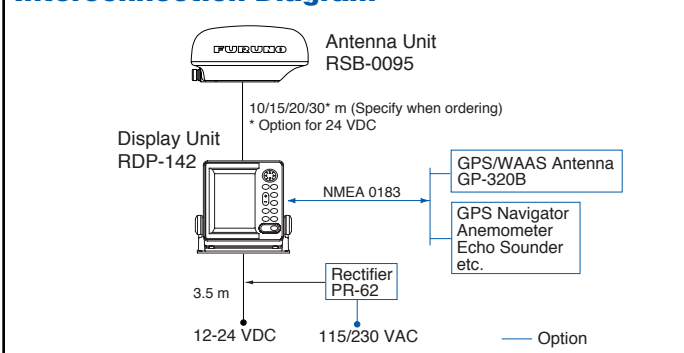
Standard

- | | |
|-----------------------------------------------------|--------|
| 1. Display Unit RDP-142 | 1 unit |
| 2. Antenna Unit RSB-0095 | 1 unit |
| 3. Antenna Cable 10/15/20 m (Specify when ordering) | 1 pc |
| 4. Power Cable 3.5 m | 1 pc |
| 5. Spare Parts & Installation Materials | 1 set |

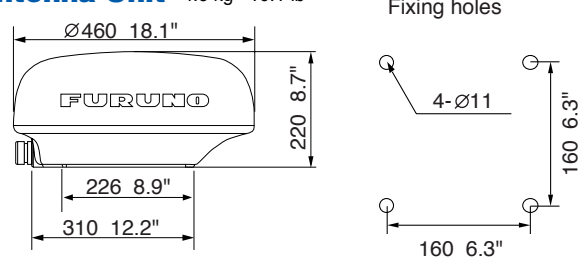
Option

- Rectifier PR-62 for 115/230 VAC mains
- NMEA Cable, 5 m (MJ-A7SPF0007-050)
- NMEA Cable, 0.5 m branched (MJ-A15A7F0004-005)
- NMEA Cable, 2 m 7P to 7P (MJ-A15A7F0005-020)
- Antenna Bracket OP03-93
- External Buzzer XH3-BZ-L970
- Antenna Cable, 30 m (for 24 VDC)

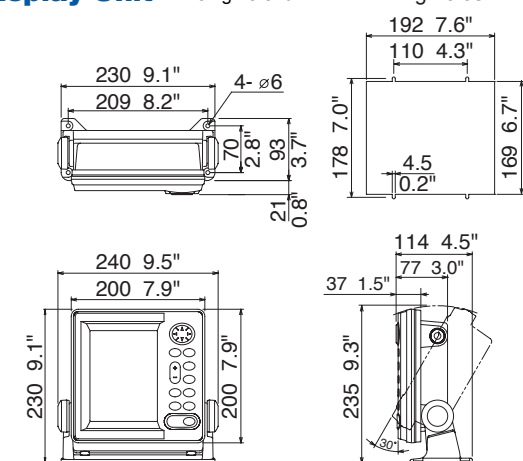
Interconnection Diagram



Antenna Unit 4.6 kg 10.1 lb



Display Unit 1.5 kg 3.3 lb



SPECIFICATIONS SUBJECT TO CHANGE WITHOUT NOTICE

FURUNO U.S.A., INC.
 Camas, Washington, U.S.A.
 Phone: +1 360-834-9300 Telefax: +1 360-834-9400

FURUNO (UK) LIMITED
 Denmead, Hampshire, U.K.
 Phone: +44 2392-230303 Telefax: +44 2392-230101

FURUNO FRANCE S.A.
 Bordeaux-Mérignac, France
 Phone: +33 5 56 13 48 00 Telefax: +33 5 56 13 48 01

FURUNO ESPAÑA S.A.
 Madrid, Spain
 Phone: +34 91-725-90-88 Telefax: +34 91-725-98-97

FURUNO DANMARK AS
 Hvidovre, Denmark
 Phone: +45 36 77 45 00 Telefax: +45 36 77 45 01

FURUNO NORGE A/S
 Ålesund, Norway
 Phone: +47 70 102950 Telefax: +47 70 127021

FURUNO SVERIGE AB
 Västra Frölunda, Sweden
 Phone: +46 31-7098940 Telefax: +46 31-497093

FURUNO FINLAND OY
 Espoo, Finland
 Phone: +358 9 4355 670 Telefax: +358 9 4355 6710

0309XT Printed in Japan

