

# *Installation Manual*

## **RADAR SENSOR**

*Model DRS6A X-Class/DRS12A X-Class/DRS25A X-Class*

---

<b>SAFETY INSTRUCTIONS .....</b>	<b>i</b>
<b>SYSTEM CONFIGURATION .....</b>	<b>iii</b>
<b>EQUIPMENT LISTS.....</b>	<b>iv</b>
<b>1. INSTALLATION AND WIRING.....</b>	<b>1</b>
1.1 Mounting Considerations .....	1
1.2 Included Items.....	3
1.3 Required Tools and Materials .....	4
1.4 Fastening the Radiator to the Radiator Bracket.....	5
1.5 Mounting the Antenna Unit .....	7
1.6 Wiring.....	10
<b>2. INITIAL SETUP.....</b>	<b>14</b>
2.1 Initial Setup for TZT9/TZT14/TZTB B .....	15
2.2 Initial Setup for TZTL12F/TZTL15F .....	17
<b>3. MAINTENANCE, TROUBLE SHOOTING.....</b>	<b>21</b>
3.1 Maintenance .....	22
3.2 Troubleshooting .....	23
3.3 Replacement of Fuse.....	23
3.4 Life of Parts.....	24
<b>APPX. 1 RADIO REGULATORY INFORMATION.....</b>	<b>AP-1</b>
<b>SPECIFICATIONS .....</b>	<b>SP-1</b>
<b>PACKING LIST(S) .....</b>	<b>A-1</b>
<b>OUTLINE DRAWING(S) .....</b>	<b>D-1</b>
<b>INTERCONNECTION DIAGRAM(S) .....</b>	<b>S-1</b>



**FURUNO ELECTRIC CO., LTD.**

[www.furuno.com](http://www.furuno.com)

All brand and product names are trademarks, registered trademarks or service marks of their respective holders.



# SAFETY INSTRUCTIONS

The installer of the equipment must read the safety instructions before attempting to install the equipment.



## WARNING

Indicates a potentially hazardous situation which, if not avoided, could result in death or serious injury.



## CAUTION

Indicates a potentially hazardous situation which, if not avoided, can result in minor or moderate injury.



Warning, Caution



Prohibitive Action



Mandatory Action



## WARNING



**Do not open the equipment unless you are well familiar with electrical circuits.**

Only qualified personnel should work inside the equipment.



**Do not disassemble or modify the equipment.**

Fire, electrical shock or serious injury can result.



**Wear a safety belt and hard hat when working on the antenna unit.**

Serious injury or death can result if someone falls from the radar mast.



**Construct a suitable service platform from which to install the antenna unit.**

Serious injury or death can result if someone falls from the radar mast.



**Turn off the power at the switchboard before beginning the installation.**

Fire or electrical shock can result if the power is left on.



## WARNING



**Keep the objects away from the antenna unit, so as not to impede rotation of the antenna.**

Fire, electrical shock or serious injury can result.



**Be sure that the power supply is compatible with the voltage rating of the equipment.**

Connection of an incorrect power supply can cause fire or damage the equipment.



**Use only the specified power and signal cable.**

Fire or damage to the equipment can result if a different cable is used.




**Use the proper fuse.**


Use of a wrong fuse can damage the equipment or cause fire.



**Do not depend one navigation device for the navigation of the vessel.**

For the safety of vessel and crew, the navigator must check all aids available to confirm position.

 **WARNING**



The radar antenna emits electromagnetic radio frequency (RF) energy which can be harmful, particularly to your eyes. Never look directly into the antenna aperture from a close distance while the radar is in operation or expose yourself to the transmitting antenna at a close distance.

Distances at which RF radiation levels of 100, 50 and 10 W/m<sup>2</sup> exist are given in the table below.

DRS6A X-Class


Radiator	100 W/m <sup>2</sup>	50 W/m <sup>2</sup>	10 W/m <sup>2</sup>
XN10A	0.1 m	0.5 m	3 m
XN12A	N/A	0.4 m	2.2 m
XN13A	N/A	0.2 m	1.9 m


DRS12A X-Class

Radiator	100 W/m <sup>2</sup>	50 W/m <sup>2</sup>	10 W/m <sup>2</sup>
XN12A	0.3 m	0.8 m	3.1 m
XN13A	0.2 m	0.7 m	2.9 m


DRS25A X-Class

Radiator	100 W/m <sup>2</sup>	50 W/m <sup>2</sup>	10 W/m <sup>2</sup>
XN12A	0.8 m	1.7 m	7.7 m
XN13A	0.7 m	1.6 m	6.8 m


 **CAUTION**



Ground the equipment to prevent mutual interference.



It is recommended that you connect the antenna unit to a disconnecting device (circuit breaker, etc.) to control the power.


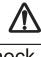




Observe the following compass safe distances to prevent deviation of a magnetic compass:

Model	Standard compass	Steering compass
DRS6A X-Class	1.40 m	0.90 m
DRS12A X-Class	1.80 m	1.15 m
DRS25A X-Class	2.10 m	1.35 m

### **WARNING LABEL**

A warning label is attached to the antenna unit. Do not remove the label. If the label is missing or damaged, contact your dealer about replacement.

 <b>WARNING</b>  To avoid electrical shock, do not remove cover. No user-serviceable parts inside.	 <b>警告</b>  感電の恐れあり。サービスマン以外の方はカバーを開けないで下さい。内部には高電圧部分が多い数多くあり、万一さわると危険です。
---	--

Name: Warning Label (2)  
 Type: 03-129-1001-3  
 Code No: 100-236-743

### **Importer in Europe**

The following concern acts as our importer in Europe, as defined in DECISION No 768/2008/EC.

- Name: FURUNO EUROPE B.V.
- Address: Siriusstraat 86, 5015 BT, Tilburg, The Netherlands

### **Importer in UK**

The following concern acts as our importer in UK, as defined in SI 2016/1025 as amended SI 2019/470.

- Name: FURUNO (UK) LTD.
- Address: West Building Penner Road Havant Hampshire PO9 1QY, U.K.

### **Program No.**

- 0359355-02.\*\* (\*\* denotes minor modifications.)

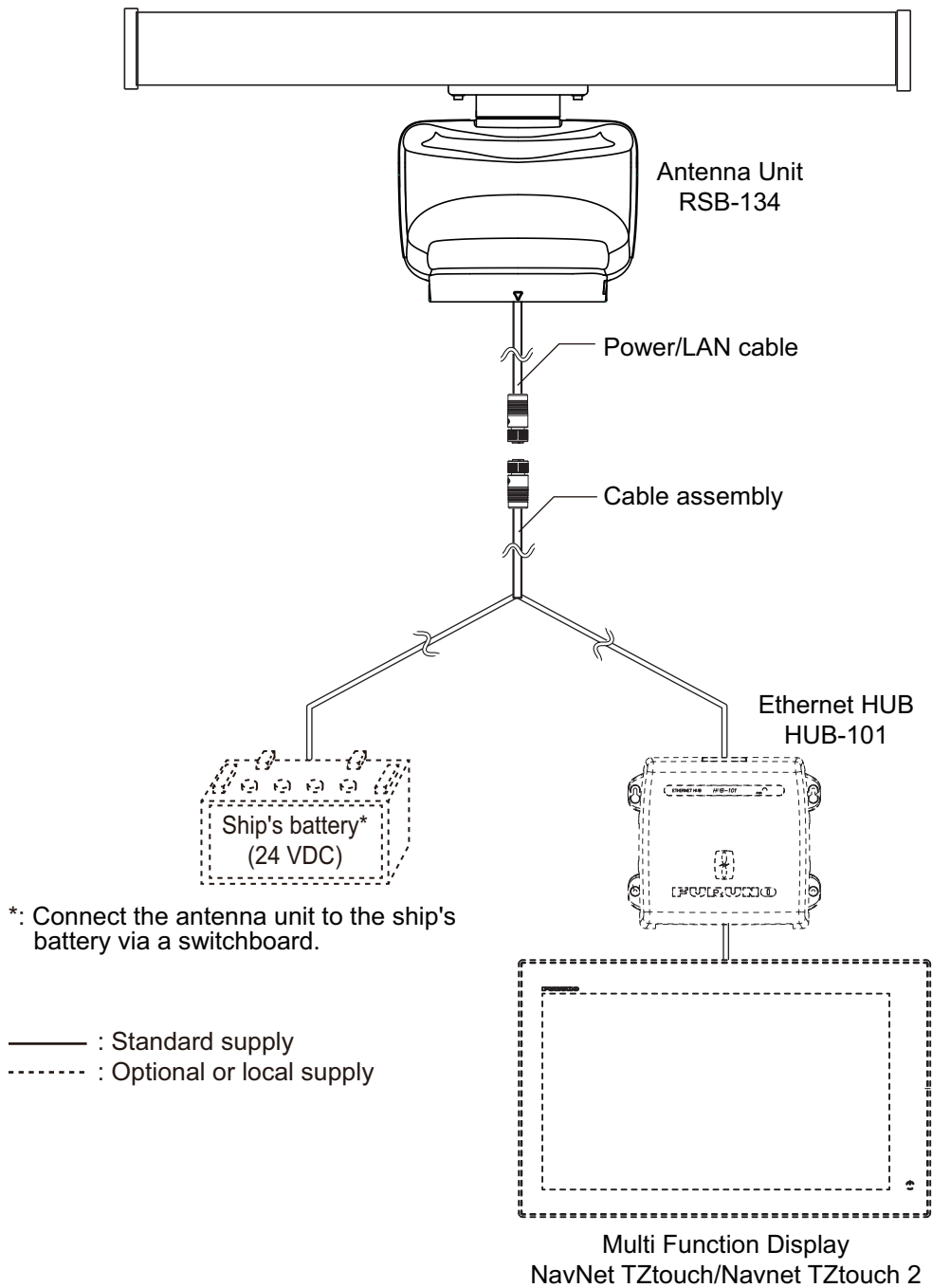
### **CE declaration**

With regards to CE declarations, please refer to our website (www.furuno.com), for further information about RoHS conformity declarations.

### **Disclosure of Information about China RoHS**

With regards to China RoHS information for our products, please refer to our website (www.furuno.com).

# SYSTEM CONFIGURATION



This radar series is compatible with the FURUNO Multi Function Displays and software version combinations shown below. The combination with other models may not operate properly.

- DRS6A X-Class  
 TZT9, TZT14 and TZTBB: Version 4.21 or later  
 TZTL12F and TZTL15F: Version 3.01 or later
- DRS12A X-Class and DRS25A X-Class  
 TZT9, TZT14 and TZTBB: Version 5.01 or later (Planned release: End of 2016)  
 TZTL12F and TZTL15F: Version 4.01 or later (Planned release: End of 2016)

# EQUIPMENT LISTS

## Standard supply

Name	Type	Code No.	Qty	Remarks
Scanner Unit	RSB-134-112	-	1	For DRS6A X-Class
	RSB-134-113	-		For DRS12A X-Class
	RSB-134-114	-		For DRS25A X-Class
Radiator	XN10A*	-	1	3.4 ft
	XN12A	-		4 ft
	XN13A	-		6 ft
Installation Materials	CP03-37101	001-426-290	1	For scanner unit
	CP03-22901	008-523-690	1	For radiator
	CP03-36400	000-027-211	1	Cable assembly (10 m), supplied for DRS6A X-Class
	CP03-36410	000-027-212		Cable assembly (15 m), supplied for DRS6A X-Class
	CP03-36420	000-027-213		Cable assembly (20 m), supplied for DRS6A X-Class
	CP03-36430	000-027-214		Cable assembly (30 m), supplied for DRS6A X-Class
	CP03-37400	000-033-082		Cable assembly (10 m), supplied for DRS12A/25A X-Class
	CP03-37410	000-033-083		Cable assembly (15 m), supplied for DRS12A/25A X-Class
	CP03-37420	000-033-084		Cable assembly (20 m), supplied for DRS12A/25A X-Class
CP03-37430	000-033-085	Cable assembly (30 m), supplied for DRS12A/25A X-Class		
Spare Parts	SP03-18101	001-426-190		1
	SP03-19601	001-514-020	Fuses (5 A, 10 A and 15 A), supplied for DRS12A/25A X-Class	

\*: Selectable for DRS6A X-Class only.

## Optional supply

Name	Type	Code No.	Remarks
LAN Cable	MOD-Z072-020+	001-167-880-10	2 m
	MOD-Z072-050+	001-167-890-10	5 m
	MOD-Z072-100+	001-167-900-10	10 m
Joint Box	TL-CAT-012	000-167-140-10	For LAN cable extension

# 1. INSTALLATION AND WIRING

## NOTICE

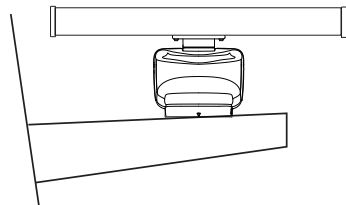
**Do not apply paint, anti-corrosive sealant or contact spray to coating or plastic parts of the equipment.**

Those items contain organic solvents that can damage coating and plastic parts, especially plastic connectors.

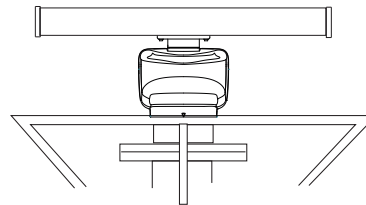
## 1.1 Mounting Considerations

Select a mounting location, keeping in mind the following points:

- Install the antenna unit on the hardtop, radar arch or on a mast on an appropriate platform.

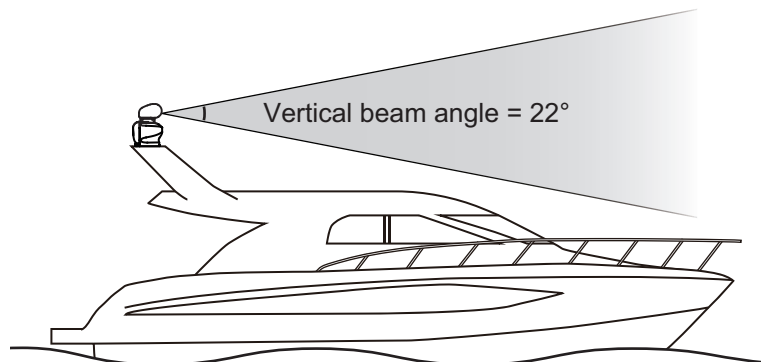


(a) Common mast



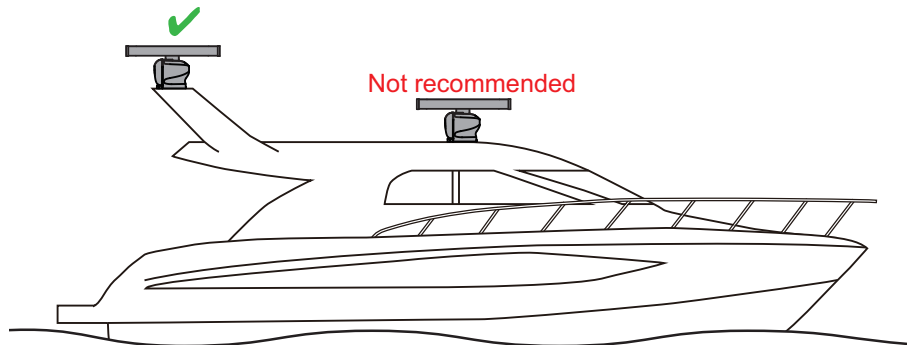
(b) Radar mast

- Locate the antenna where there is a good all-round view. Where possible, there should be no obstructions to the scanning beam such as superstructure or rigging. Obstructions cause shadow sectors and decrease the overall performance of the radar. The loss of performance can cause false echoes and reduce the quality of the observed images. A mast for instance, with a diameter considerably less than the horizontal beam width of the radiator, will cause only a small shadow sector. However, a horizontal spreader, or cross trees in the same horizontal plane as the antenna unit, would be a much more serious obstruction. You would need to place the antenna unit well above or below it. Be sure there are no metallic objects near the antenna.



- It is rarely possible to place the antenna unit where a completely clear view in all directions is available. After fitting the antenna, determining any shadow sectors, their angle and bearing, and their influence on the radar is recommended.

- In order to reduce electrical interference, avoid routing the power cable near other electrical equipment on-board. Also, avoid running the cable in parallel with other power cables.
- It is not recommended to install the antenna unit on the hardtop of a cabin. Vibrations from the antenna unit will pass through the hardtop and into the cabin.

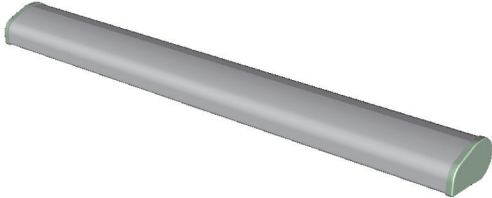


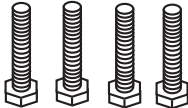




- Setup the antenna unit position on the FURUNO Multi Function Display after installing the unit, referring to the chapter 2. If the antenna unit position is not setup correctly, the radar echoes on the display may not be aligned with the actual target's bearing.
- Select a location that does not allow water to accumulate at the installation location.
- A magnetic compass will be affected if the antenna unit is too close to the compass. Observe the compass safe distances mentioned in the SAFETY INSTRUCTIONS to prevent interference to a magnetic compass.
- To ensure proper emission of radar waves, do not paint the radiator.
- Referring to the outline drawings at the back of this manual, allow space for maintenance and service.
- When this antenna unit is to be installed on a large vessel, consider the following points:
  - The supplied cable assembly runs between the antenna unit and display (or ethernet HUB) and comes in lengths of 10 m, 15 m, 20 m or 30 m. Select the appropriate length when purchasing.
  - Deposits and fumes from a funnel or other exhaust vent can adversely affect the aerial performance and hot gases may distort the antenna unit. The antenna unit must not be mounted where the temperature is more than 55°C(131°F).

## 1.2 Included Items




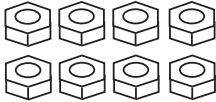

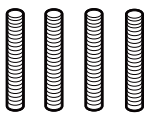
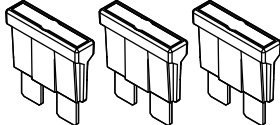
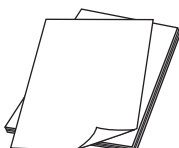
**Radiator**

- Radiator\*<sup>1</sup> (1 pcs):  
3.4 ft\*<sup>2</sup>, 4 ft or 6 ft
- Flat washer (M8, 4 pcs)
- Spring washer (M8, 4 pcs)
- Hex. bolt (M8×30, 4 pcs)
- O-ring (1 pcs)
- Adhesive (1 pcs)

**Scanner Unit**

- Scanner Unit (1 pcs)
- Flat washer (M12, 4 pcs)
- Spring washer (M12, 4 pcs)
- Hex nut (M12, 8 pcs)
- Insulation sheet (4 pcs)
- Stud bolt (M12×70, 4 pcs)
- Spare fuse (3 pcs, 5 A, 10 A and 15 A)
- Documents (1 set):

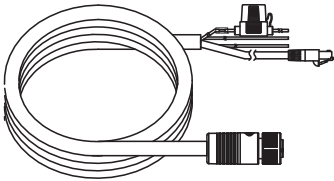
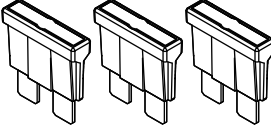
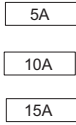
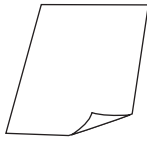
5 A: For DRS6A X-Class  
10 A: For DRS12A/25A X-Class  
15 A: Not used.

**Cable assembly**

- Cable assembly\*<sup>1</sup> (1 pcs):  
10 m, 15 m, 20 m or 30 m

Supplied for DRS12A X-Class and DRS25A X-Class

- Fuse for replacement\*\* (3 pcs)
- Label\*\* (3 pcs)
- How to Replace the Fuse (1 pcs)

(5 A, 10 A and 15 A)  
\*\*: Use 10 A fuse and label

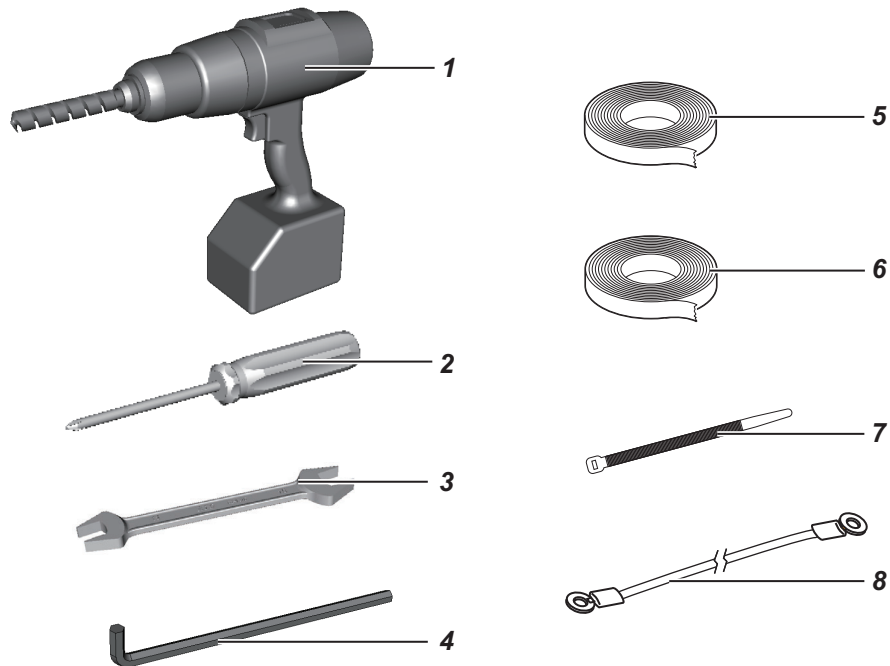
\*<sup>1</sup>: Select the appropriate length when purchasing.

\*<sup>2</sup>: Selectable for DRS6A X-Class only.



## 1.3 Required Tools and Materials

The following tools should be prepared in advance for this installation.

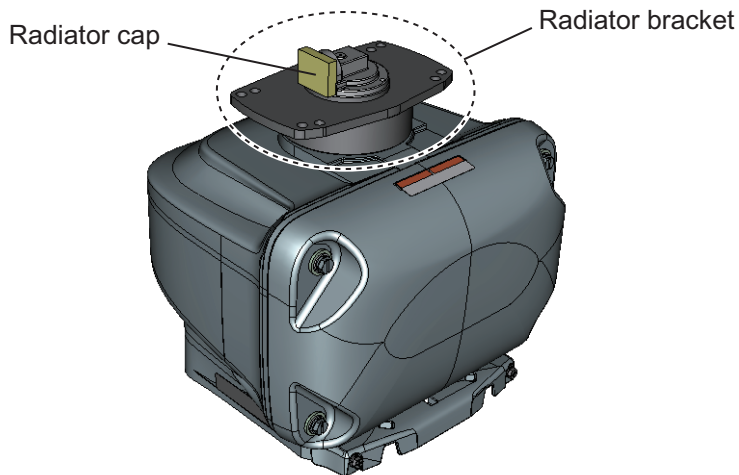


No.	Name	Remarks
1	Electrical drill	For making the mounting holes, drill bit: $\phi$ 15 mm
2	Phillips-head screw driver	#3, for securing the cable cover
3	Wrench	For M8 (Hex. size 13 mm) and M12 (Hex. size 19 mm)
4	Hex. L-wrench	For fastening the stud bolts (Hex. size 6 mm)
5	Self-vulcanizing tape	For waterproofing the junction of connectors
6	Vinyl tape*	
7	Cable tie	For securing the cables
8	Ground wire	IV-2sq

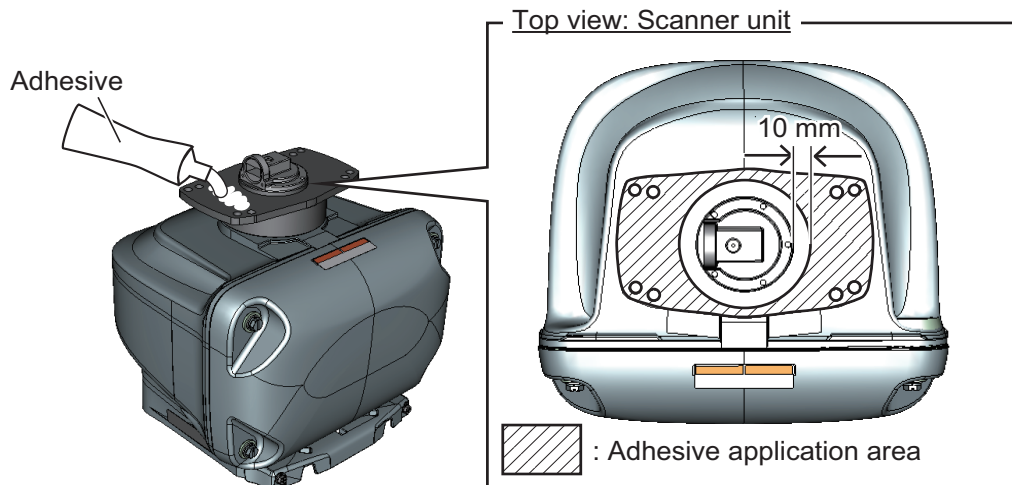
\*: For cosmetic purposes, black color vinyl tape (cable color) is recommended.

## 1.4 Fastening the Radiator to the Radiator Bracket

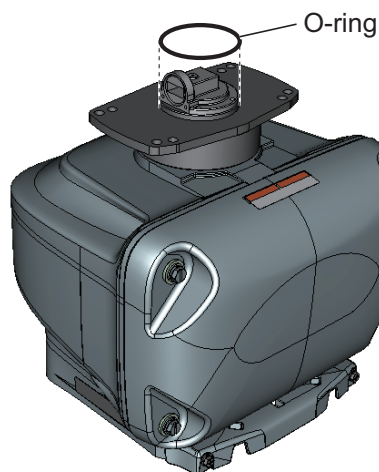
1. Remove the radiator cap from the radiator bracket.



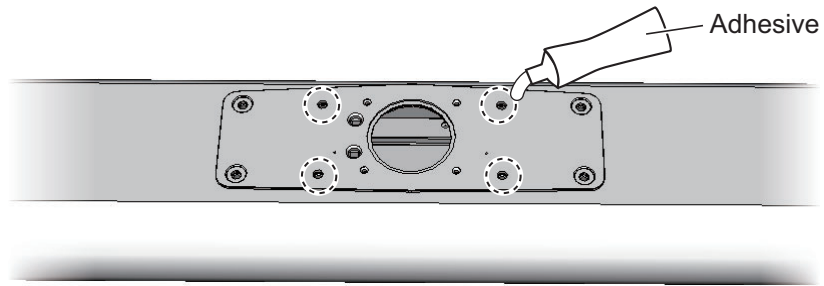
2. Apply adhesive to the surface of the radiator bracket as shown in the figure below.



3. Set the O-ring to the radiator bracket.

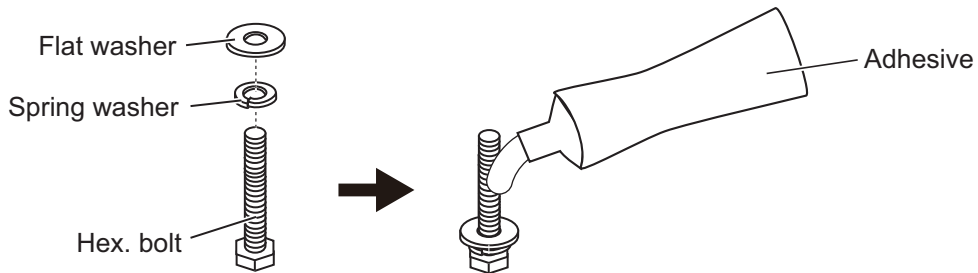


4. Apply adhesive to the thread holes on the bottom of the radiator (4 locations).



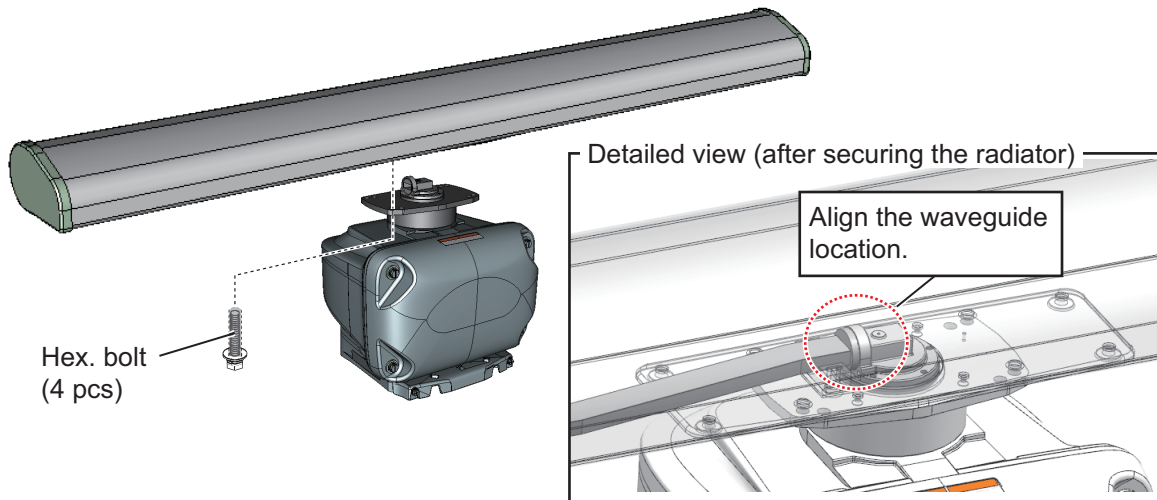
Bottom view: Radiator

5. Prepare four bolt assemblies; pass the spring washer (M8) and flat washer (M8) through the each hex bolt (M8×30) then apply adhesive.



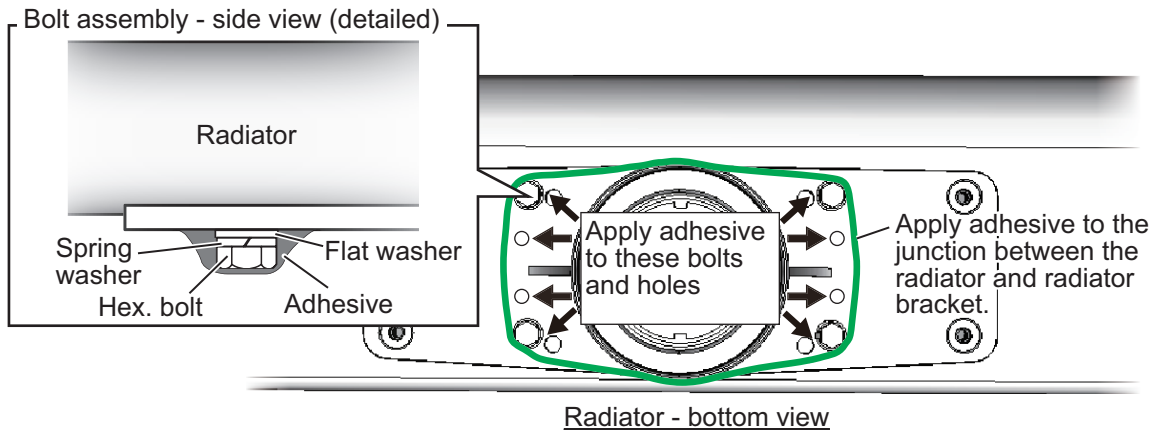
6. Fasten the radiator to the radiator bracket, using four bolt assemblies prepared at step 5.

**Note:** Be sure to align the waveguide location between the radiator and radiator bracket before fastening bolt assemblies.



## 1. INSTALLATION AND WIRING

7. Apply adhesive to the holes and bolts at the locations indicated with arrows in the figure below. Also apply adhesive to the junction between the radiator and the radiator bracket.

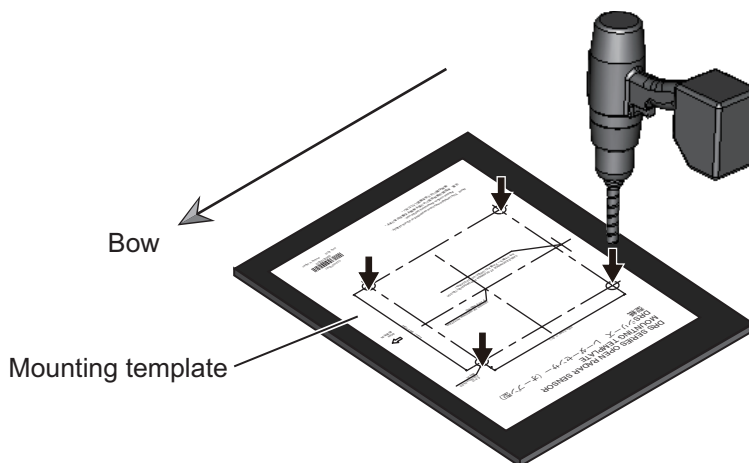


### 1.5 Mounting the Antenna Unit

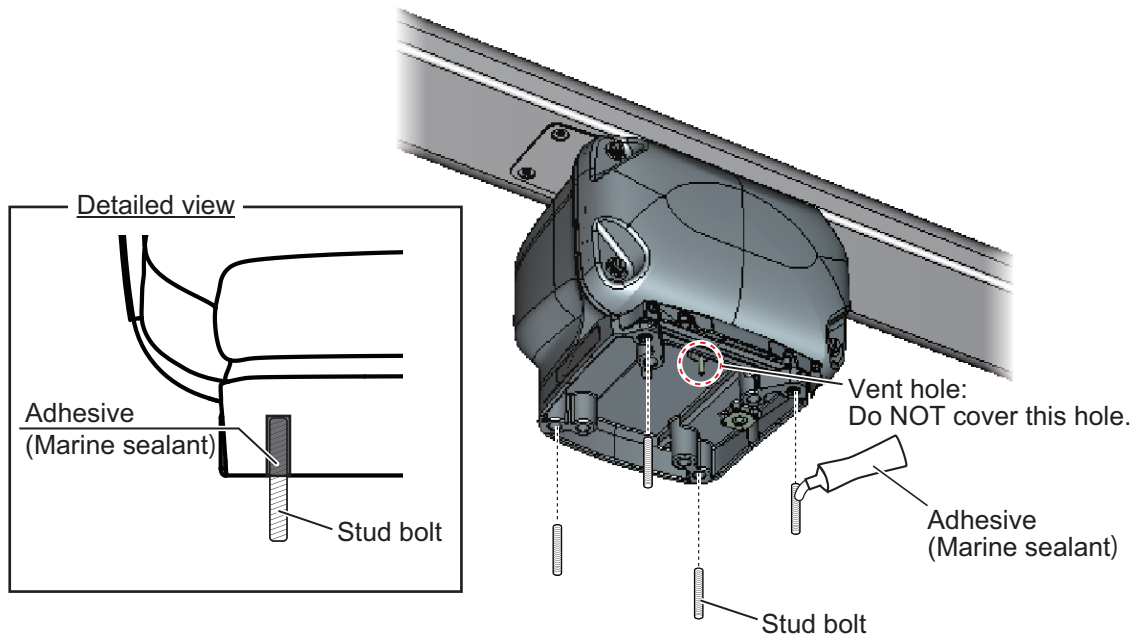
The antenna unit can be mounted using the fixing holes on the outside (200 × 200 mm) the antenna unit.

1. Set the supplied mounting template to the mounting location, then drill four fixing holes in the mounting location.

**Note:** The holes must be parallel with the fore and aft line.



2. Apply adhesive to the thread of the stud bolts (M12×70, 4 pcs).  
**Note:** Apply adhesive to the part of the bolt threads that are inside the bolt hole (see the figure at step 3).
3. Insert four stud bolts into the threaded holes in the antenna unit.  
The stud bolts must make contact with the bottom of the threaded holes.  
**Note:** Do NOT cover the vent hole at the bottom of the unit.

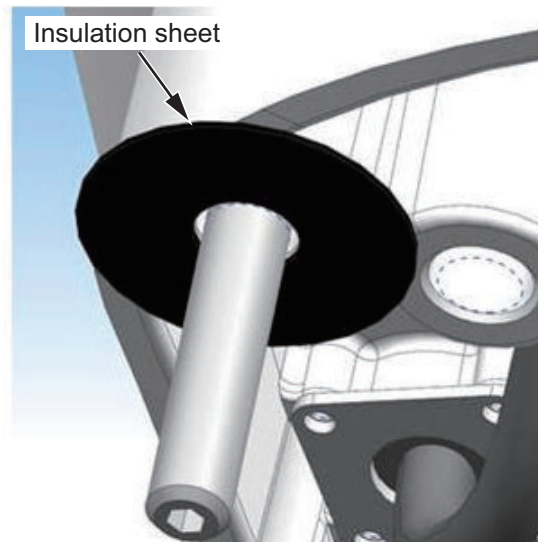
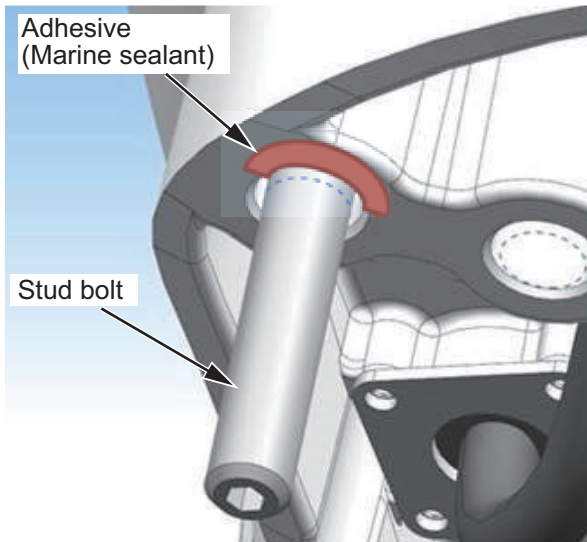


**NOTICE**

**Do not fasten stud bolts tightly after the bolts contact with the bottom of the threaded holes.**

If the bolts are fastened excessively, the chassis bottom may be damaged which can result in malfunction.  
The projected bolt length after the bolts contact with the bottom of the threaded holes is approx. 50 mm. This data is for reference purpose only.

4. Apply adhesive (marine sealant) around the base of the four stud bolts. The application of adhesive (marine sealant) also serves to prevent electrical corrosion of the paint on the antenna unit.
5. Set the insulation sheet (supplied) to the four stud bolts.

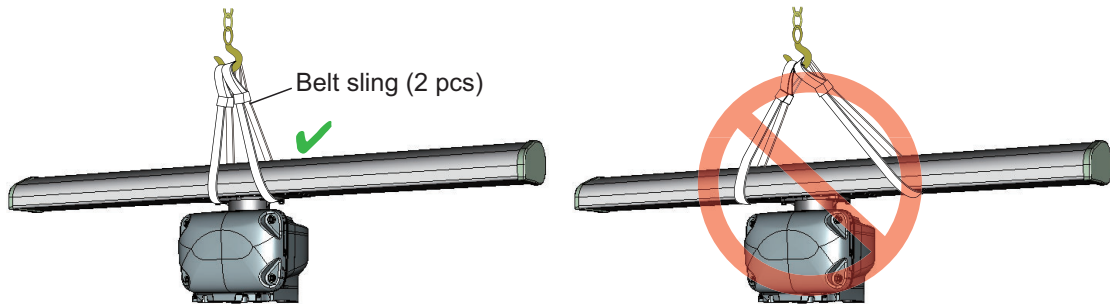


## 1. INSTALLATION AND WIRING

6. Hoist the antenna unit to the installation location, using two belt slings.

**Note:** When you hoist the antenna unit, keep in mind the following points:

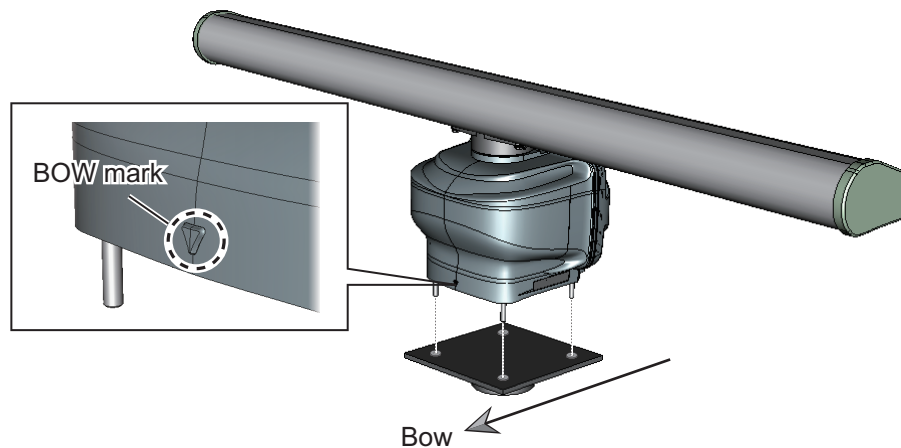
- When you hoist the antenna unit, set two belt slings to the radiator bracket. Do not set the belt slings to the radiator, the radiator may get damaged.



**OK:** Belt slings are set to the radiator bracket. **WRONG:** Belt slings are set to the radiator.

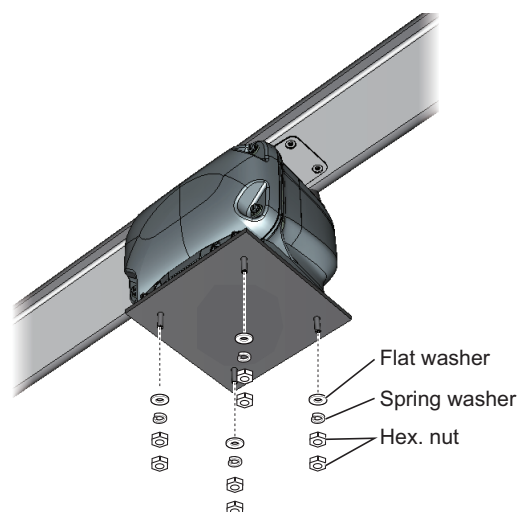
- Hoist the antenna unit slowly. If the antenna unit is hoisted too quickly, the bracket can be damaged.

7. Place the antenna unit on the mounting platform with the BOW mark on the unit aligned with the ship's bow.



8. Secure the antenna unit, using the supplied flat washers (M12, 4 pcs), spring washers (M12, 4 pcs), and hex. nuts (M12, 8 pcs).

**Note:** For steps 8 and 9, see the page D-3 for details.

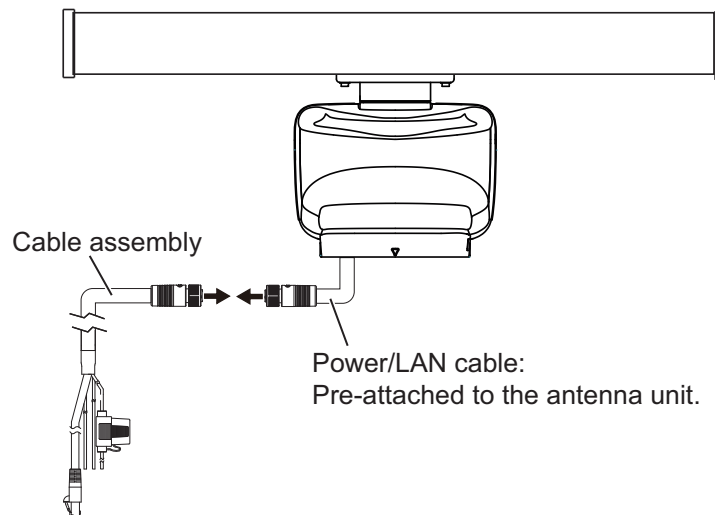


9. Apply adhesive (sealant) to the flat washers, spring washers, and hex. nuts.

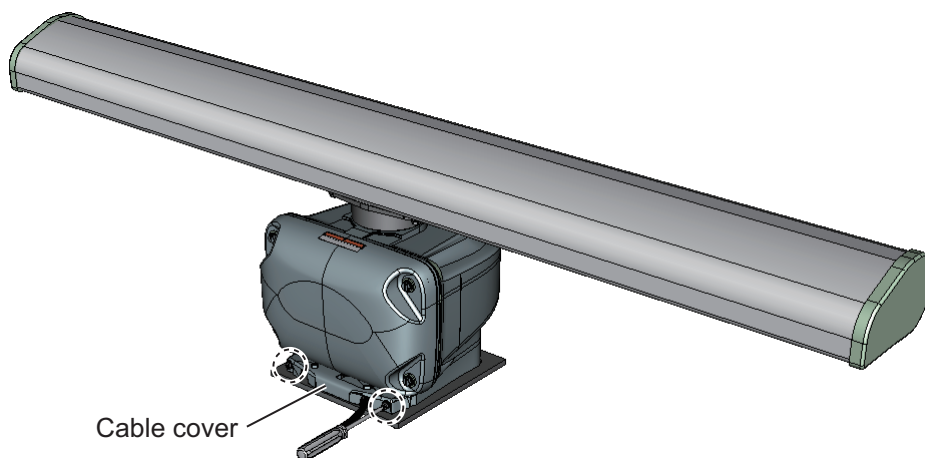
## 1.6 Wiring

### Wiring considerations

- Turn the power at the switchboard off before beginning the wiring.
- **For DRS6A X-Class**, insert the 5 A fuse in the fuse holder. Attach the supplied fuse rating label to the fuse holder. For details, see “How to Replace the Fuse” (C32-01604).
- **For DRS12A X-Class and DRS25A X-Class**, insert the 10 A fuse in the fuse holder. Also, attach the supplied fuse rating label to the fuse holder. For details, see “How to Replace the Fuse” (C32-01604).
- The cable assembly and power/LAN cables have connector(s). Do NOT cut the cable assembly and power/LAN cables even if the cables are run through a radar mast.
- When you replace the DRS4A/6A/12A/25A with the DRS6A X-Class/DRS12A X-Class/DRS25A X-Class, the existing cable cannot be used. Use only the cable assembly supplied with this radar sensor



1. Unfasten two screws, circled in the following figure, to remove the cable cover.

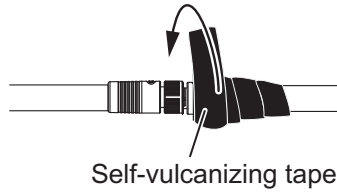


2. Connect the cable assembly (supplied) to the power/LAN cable that is pre-attached to the antenna unit.

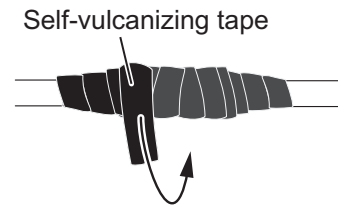
## 1. INSTALLATION AND WIRING

3. Wrap the junction of the connectors with self-vulcanizing tape and vinyl tape (local supply) for waterproofing as follows:

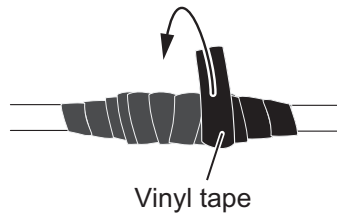
- 1) Wrap the junction of the connectors with one layer of self-vulcanizing tape.



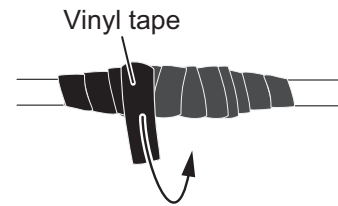
- 2) Change wrap direction and wrap one layer of the self-vulcanizing tape again.



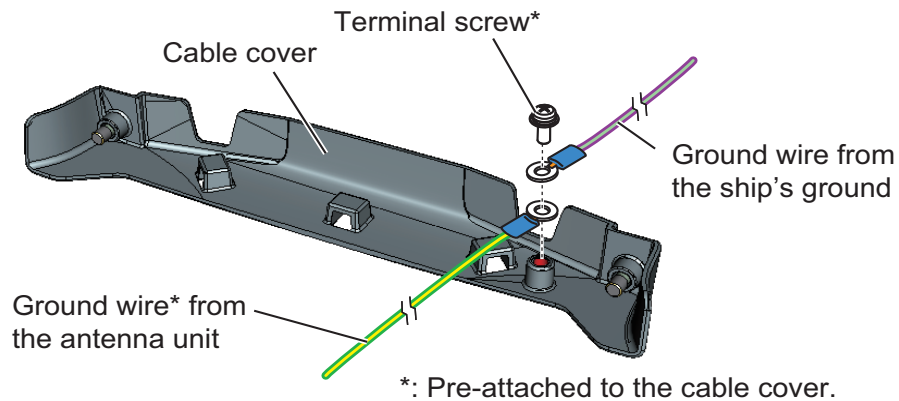
- 3) Wrap one layer of the vinyl tape over the self-vulcanizing tape.



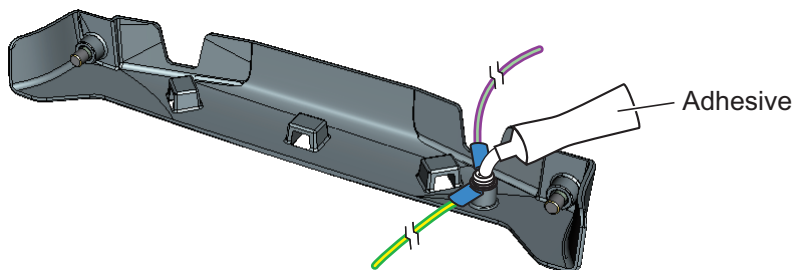
- 4) Change wrap direction and wrap one layer of the vinyl tape again.



4. As shown in the figure below, secure the ground wire from the ship's ground (IV-2sq, local supply) and ground wire from the antenna unit, using the terminal screw (M4x10) that is pre-attached to the cable cover.

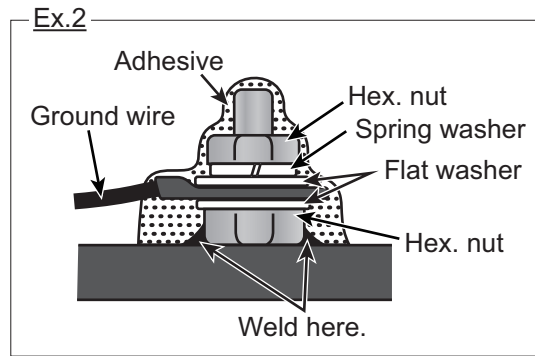
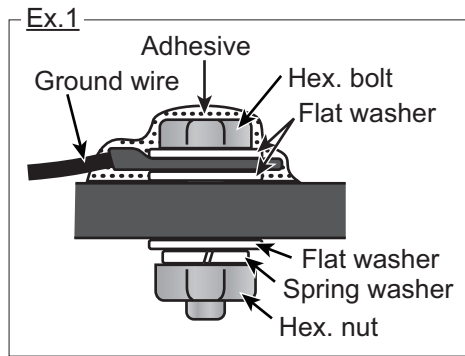


5. Apply adhesive to the ground terminal after fastening the terminal screw.



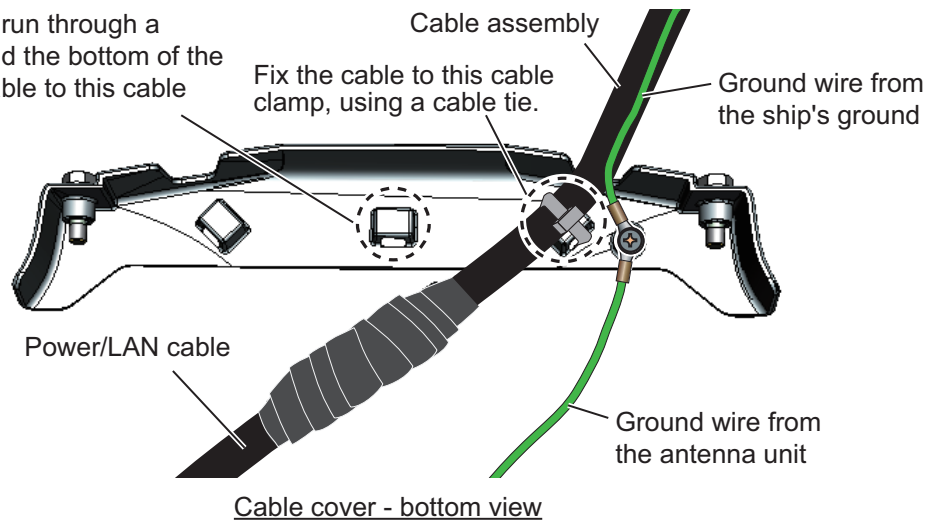


6. Secure the ground wire to the ship's ground.  
The figures shown below are examples for grounding.



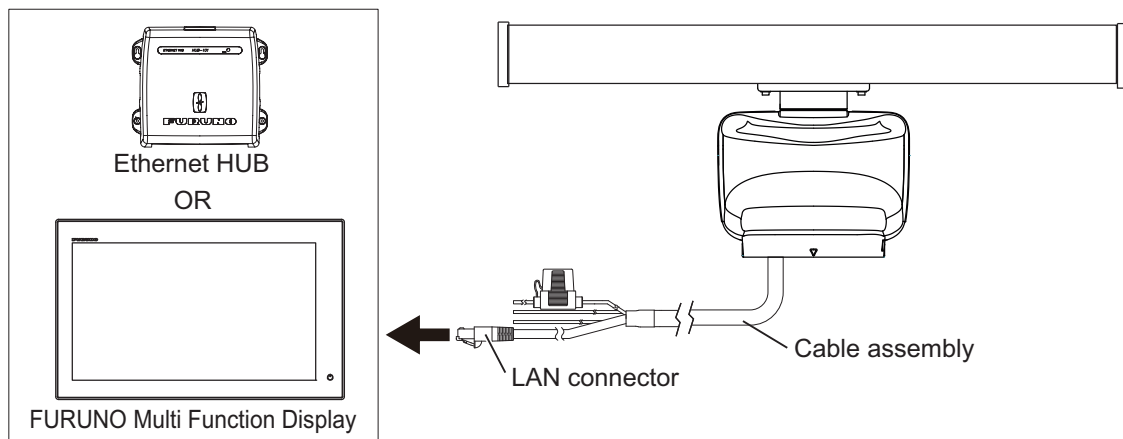
7. Secure the cable assembly to the cable cover with the cable ties (local supply) as shown in the figure below.

If the cable is run through a radar mast and the bottom of the unit, fix the cable to this cable clamp.



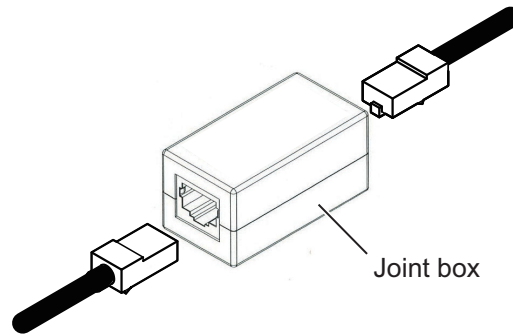
8. Reattach the cable cover.
9. Connect the LAN connector of the cable assembly to a LAN port on the FURUNO Multi Function Display or Ethernet HUB.

**Note 1:** Do not connect the LAN connector to on-board LAN.



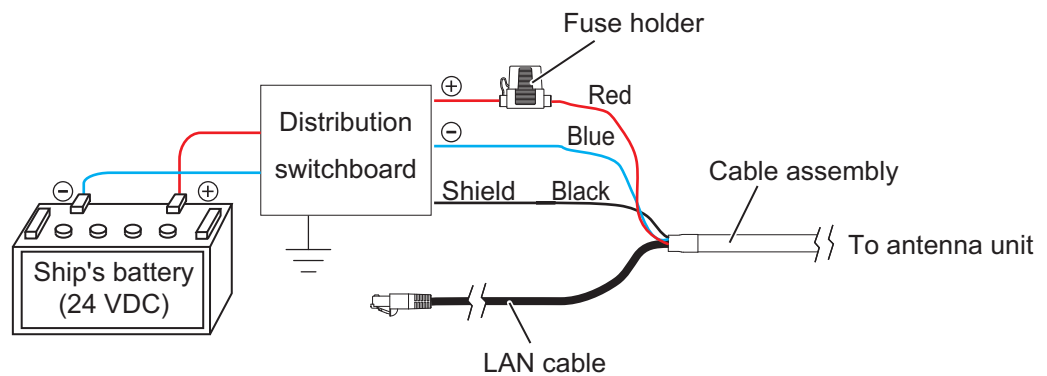
**Note 2:** When LAN cable extension is needed, use the optional LAN cable (MOD-Z072) and joint box (TL-CAT-012). After connection is completed, wrap the connector with vinyl tape to waterproof the LAN connector.

## 1. INSTALLATION AND WIRING



10. Connect the power wires to the ship's battery (24 VDC).

- Red wire: Connect to the positive terminal. The red wire has the fuse holder.
- Blue wire: Connect to the negative terminal.
- Black wire: The black wire is a shielding wire for grounding.



**Note 1:** The antenna unit has no power switch. Connect the antenna unit to a distribution switchboard with a switch for power control.

**Note 2:** If the voltage of the ship's battery is 12 VDC, prepare a DC-to-DC converter whose output current is 10 A or more.

**Note 3:** The antenna unit cannot accept input voltage of more than 24 VDC.

## 2. INITIAL SETUP

### WARNING



The radar antenna emits electromagnetic radio frequency (RF) energy which can be harmful, particularly to your eyes. **Never look directly into the antenna aperture from a close distance while the radar is in operation or expose yourself to the transmitting antenna at a close distance.**

Distances at which RF radiation levels of 100, 50 and 10 W/m<sup>2</sup> exist are given in the table below.

#### DRS6A X-Class

Radiator	100 W/m <sup>2</sup>	50 W/m <sup>2</sup>	10 W/m <sup>2</sup>
XN10A	0.1 m	0.5 m	3 m
XN12A	N/A	0.4 m	2.2 m
XN13A	N/A	0.2 m	1.9 m

#### DRS12A X-Class

Radiator	100 W/m <sup>2</sup>	50 W/m <sup>2</sup>	10 W/m <sup>2</sup>
XN12A	0.3 m	0.8 m	3.1 m
XN13A	0.2 m	0.7 m	2.9 m

#### DRS25A X-Class

Radiator	100 W/m <sup>2</sup>	50 W/m <sup>2</sup>	10 W/m <sup>2</sup>
XN12A	0.8 m	1.7 m	7.7 m
XN13A	0.7 m	1.6 m	6.8 m

### WARNING



**Before turning on the radar, be sure no one is near the antenna.**

Prevent the potential risk of being struck by the rotating antenna, which can result in serious injury or death.

This radar series is compatible with the FURUNO Multi Function Displays and software version combinations shown below. The combination with other models may not operate properly.

- DRS6A X-Class  
TZT9, TZT14 and TZTBB: Version 4.21 or later  
TZTL12F and TZTL15F: Version 3.01 or later
- DRS12A X-Class and DRS25A X-Class  
TZT9, TZT14 and TZTBB: Version 5.01 or later (Planned release: End of 2016)  
TZTL12F and TZTL15F: Version 4.01 or later (Planned release: End of 2016)

Turn on the antenna unit and FURUNO Multi Function Display. Initial setup for this antenna must be done on the FURUNO Multi Function Display.

## 2.1 Initial Setup for TZT9/TZT14/TZTBB

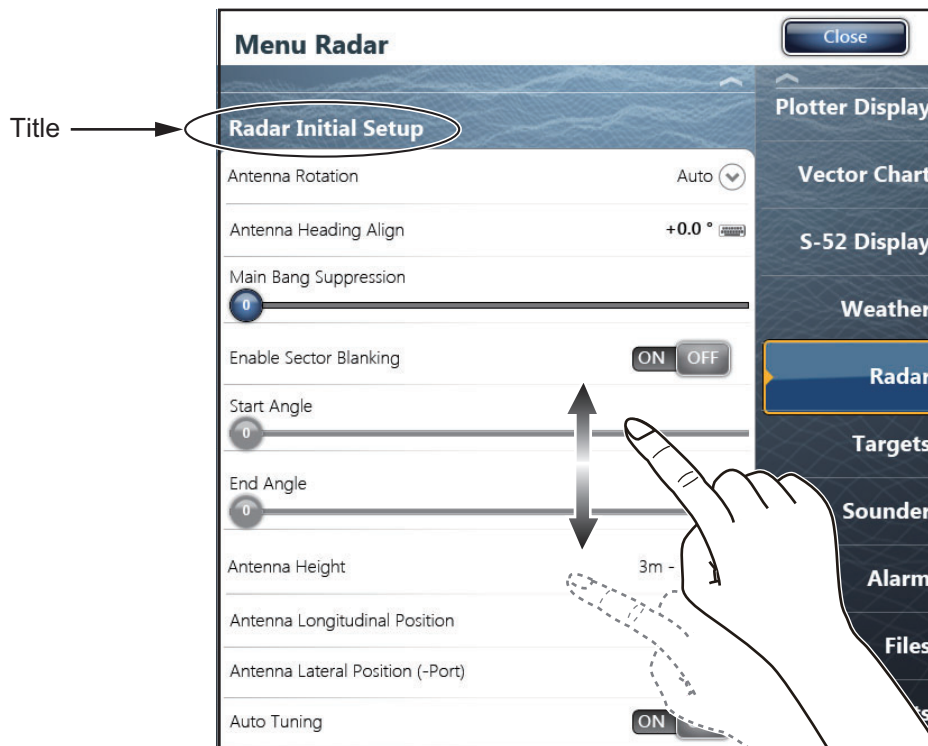
1. Press the **Home** key (or tap the **Home** icon).
2. Select [Menu] on the menu icon bar to open the main menu.
3. Select [Radar].
4. Select [Radar Source] on the [Menu Radar] sub menus, then select the radar type connected.

**Note:** If the antenna unit is connected but does not appear in the [Radar Source] list, close the list and open it again. The name of the antenna unit should appear with a check mark, as in the example to the right.



Display example for DRS6A X-Class

5. Drag the [Menu Radar] sub menus to find the menu item [Radar Initial Setup].

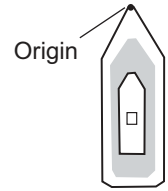


6. Set the items referring to the table shown below

*Menu Radar (Radar Initial Setup)*

Menu item	Description
[Antenna Rotation]	Select the antenna rotation speed.
[Antenna Heading Align]	See "How to align the antenna heading" on page 16.
[Main Bang Suppression]	If main bang appears at the screen center, slide the circle icon, while watching the radar echo on the left-side of the display, until the main bang disappears.
[Enable Sector Blanking]/ [Enable Sector Blanking2]	Up to two sectors may be selected for blanking (no transmission). Select [ON] to enable this feature. Set the start and end angles (0° to 359°).
[Antenna Height]	Select the height of the antenna above the waterline.

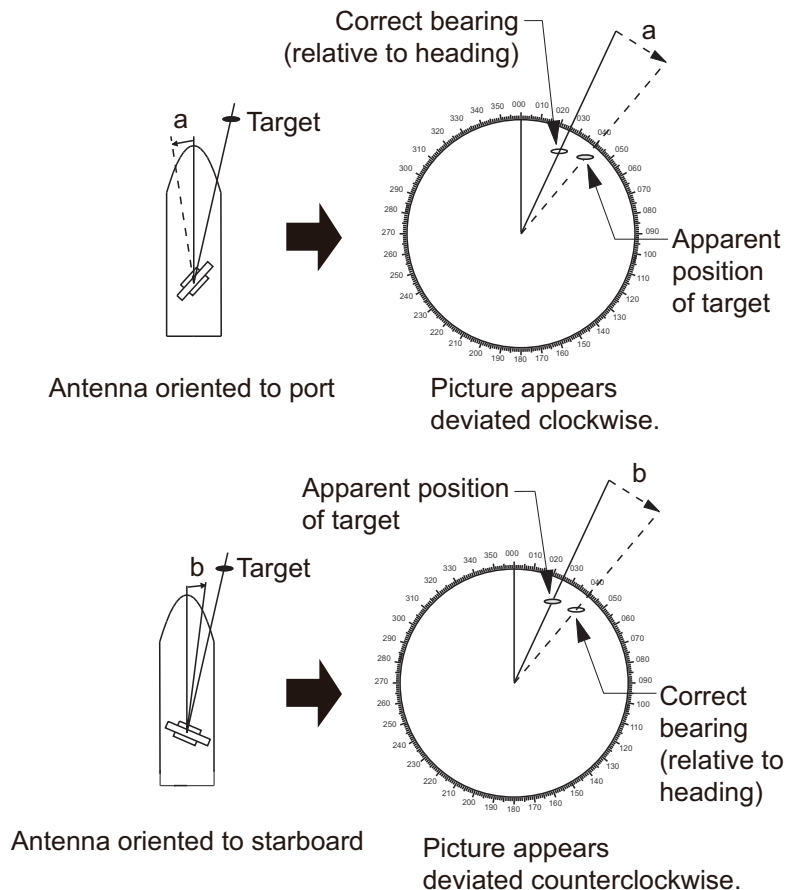
Menu item	Description
[Antenna Longitudinal Position]	Referring to the figure on the right, enter the radar antenna positioning bow-stern (Longitudinal) and port-starboard (Lateral) position from the origin.
[Antenna Lateral Position (-Port)]	
[Auto Tuning]	Enable/disable auto tuning for the connected radar.
[Tuning Source]	For dual-range display, select the range to use as the manual tuning source.
[Manual Tuning]	Manually tune the radar. Not available when [Auto Tuning] is enabled.
[Radar Monitoring]	Display various information regarding the connected radar.
[Radar Optimization]	Automatically adjust magnetron output and tuning for the connected radar. <b>Note:</b> Be sure to perform [Radar Optimization] after replacing the magnetron.
[ARPA Advanced Settings]	Do not change these settings.



**How to align the antenna heading**

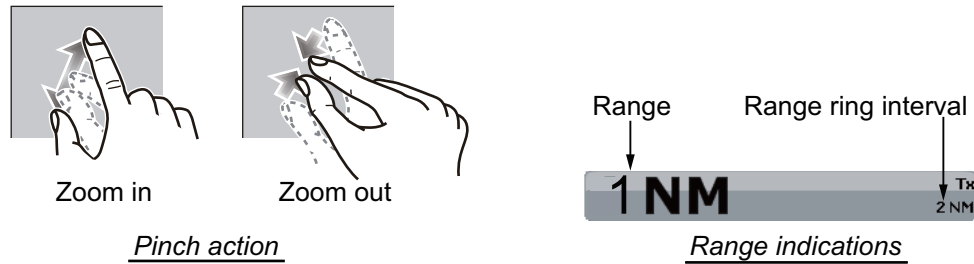
You have mounted the antenna unit facing straight ahead in the direction of the bow. Therefore, a small but conspicuous target dead ahead visually should appear on the heading line (zero degrees).

You may observe a minor bearing error on the display. This is due to the difficulty in orienting the radar accurately. The following adjustment will compensate for the error.

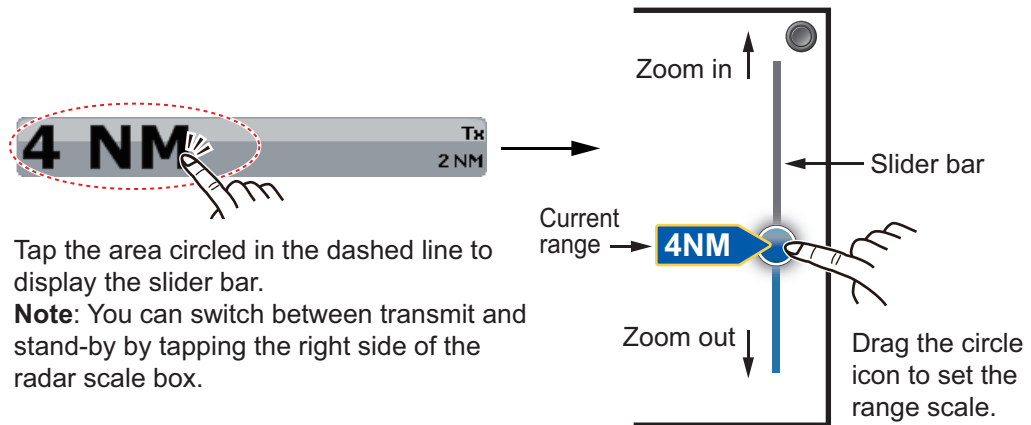


## 2. INITIAL SETUP

1. Select a range between 0.125 and 0.25 NM and set the mode to "head up". You can select a range by a pinch action. The range and range ring interval appear at the bottom left of the screen.



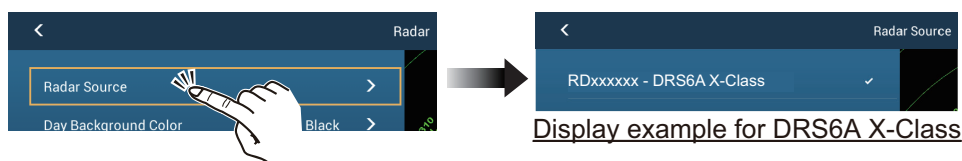
For TZTBB, you can also control the range in the operation as follows. Tap the radar scale box at the bottom left-hand corner of the screen to display the slider bar. Drag the circle icon to set the range scale.



2. Turn the vessel's bow toward a target.
3. Press the **Home** key (or tap the **Home** icon), then select [Menu] icon, [Radar], and [Antenna Heading Align] in that order to show the numeric software keyboard.
4. Key in the offset value so that the target is at the very top of the screen (setting range: +/- 0° to 180°, +: clockwise direction, -: counterclockwise direction), then tap [Save].
5. Confirm that the target echo is displayed at correct bearing on the screen.

## 2.2 Initial Setup for TZTL12F/TZTL15F

1. Tap the [Home] icon to show the home screen and display mode settings.
2. Tap [Radar] from the [Settings] menu.
3. Tap [Radar Source], then select the appropriate antenna unit.  
**Note:** If the antenna unit is connected but does not appear in the [Radar Source] list, close the list and open it again. The name of the antenna unit should appear with a check mark, as in the example below.



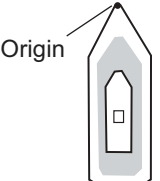
4. Drag the [Radar] menu display the menu item [Radar Initial Setup], then tap [Radar Initial Setup].

5. Referring to the tables below, set up the radar.

**[Radar] menu - [Radar Initial Setup]**

Menu item	Description
[Antenna Rotation]	Select the antenna rotation speed.
[Antenna Heading Align]	See "How to align the antenna heading" on page 19.
[Main Bang Suppression]	If main bang appears at the screen center, slide the circle icon so that the main bang disappears, while watching the radar echo at the left-hand side of the display.
[Enable Sector Blanking]	Up to two sectors may be selected for blanking (no transmission). Select [ON] to enable this feature. Set the start and end angles (0° to 359°).
[Enable Sector 2 Blanking]	

**[Radar] menu - [Antenna Position]**

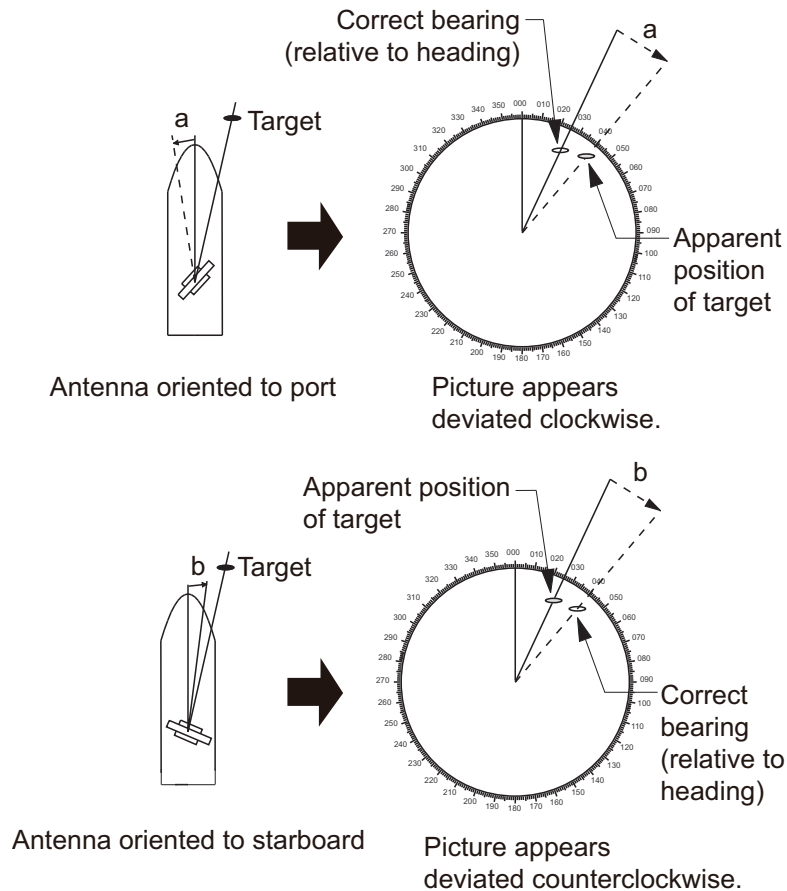
Menu item	Description
[Longitudinal (from bow)] [Lateral (-Port)]	Referring to the figure on the right, enter the radar antenna positioning bow-stern (Longitudinal) and port-starboard (Lateral) position from the origin.  The diagram shows a top-down view of a boat's hull. A small square at the bow (front) is labeled 'Origin' with a line pointing to it. The rest of the boat's interior is shaded in light gray.
[Antenna Height]	Select the height of the antenna above the waterline.
[Auto Tuning]	Enable/disable auto tuning for the connected radar.
[Tuning Source]	For dual-range display, select the range to use as the manual tuning source.
[Manual Tuning]	Manually tune the radar. Not available when [Auto Tuning] is enabled.
[Radar Monitoring]	Display various information regarding the connected radar.
[Radar Optimization]	Automatically adjust magnetron output and tuning for the connected radar. <b>Note:</b> Be sure to perform [Radar Optimization] after replacing the magnetron.
[ARPA Advanced Settings]	Do not change these settings.
[Set Hardware To Factory Default]	Resets the radar selected at [Radar Source] to factory default.
[Reset Default Settings]	Resets [Radar] menu settings to default.

## 2. INITIAL SETUP

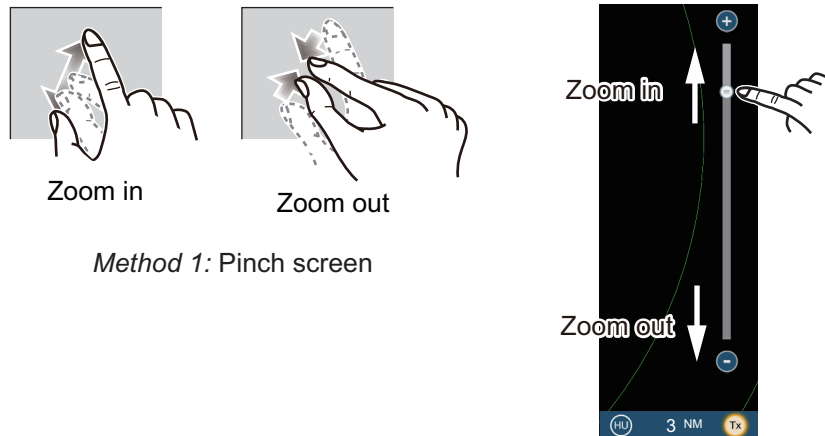
### How to align the antenna heading

You have mounted the antenna unit facing straight ahead in the direction of the bow. Therefore, a small but conspicuous target dead ahead visually should appear on the heading line (zero degrees).


You may observe a minor bearing error on the display. This is due to the difficulty in orienting the radar accurately. The following adjustment will compensate for the error.



1. Set your radar with 0.125 and 0.25 NM range and the head up mode. The range scale can be selected two ways, as shown below. The slider bar can be shown or hidden with [Show Scale Slider] in the [Settings] - [Radar] menu.










2. Turn the vessel's bow toward a target.
3. Tap the [Home] icon to show the home screen and display mode settings.
4. Tap [Radar] to show the [Radar] menu.
5. Drag the [Radar] menu to show the [RADAR INITIAL SETUP] menu.
6. Tap [Antenna Heading Align].
7. Key in the offset value so that the target is displayed at the very top of the screen (setting range:  $+179.9^{\circ}$  to  $-180^{\circ}$ , +: clockwise direction, -: counterclockwise direction), then tap the  icon.
8. Confirm that the target echo is displayed at correct bearing on the screen.

# 3. MAINTENANCE, TROUBLE SHOOTING

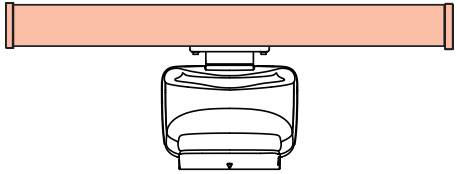
Periodic checks and maintenance are important for proper operation of any electronic system. This chapter contains maintenance and troubleshooting instructions to be followed to obtain optimum performance and the longest possible life of the equipment. Before attempting any maintenance or troubleshooting procedure please review the safety information below and at the front of this manual. If you cannot restore normal operation after following the troubleshooting procedures, do not attempt to check inside any unit; there are no user serviceable parts inside. Contact your dealer to check the equipment.

 <b>WARNING</b>
 <b>Do not open the equipment.</b> Hazardous voltage which can cause electrical shock exists inside the equipment. Only qualified personnel should work inside the equipment.
 <b>Turn off the antenna unit before servicing the unit. Post a warning sign near the switch indicating it should not be turned on while the antenna unit is being serviced.</b>  Prevent the potential risk of being struck by the rotating antenna.
 <b>A transmitting radar antenna emits electromagnetic waves, which can be harmful, particularly the eyes.</b>
 <b>Wear a safety belt and hard hat when working on the antenna unit.</b>  Serious injury or death can result if someone falls from the radar antenna mast.

<b>NOTICE</b>
<b>Do not apply paint, anti-corrosive sealant or contact spray to coating or plastic parts of the equipment.</b>  Those items contain organic solvents that can damage coating and plastic parts, especially plastic connectors.

## 3.1 Maintenance

Regular maintenance is important for good performance. Check the points mentioned below every 3 to 6 months to keep the antenna unit in good working order.

Check point	Action	Remedy, remarks
Check points every 3 to 6 months		
Cable	Check that all cables are firmly connected and are not damaged.	<ul style="list-style-type: none"> <li>• Connect a cable if it has loosened.</li> <li>• Replace damaged cables.</li> </ul>
Exposed bolts and nuts	Check that bolts and nuts are not corroded and are securely fastened.	<ul style="list-style-type: none"> <li>• Replace corroded bolts.</li> <li>• Tighten loosened bolts.</li> <li>• Coat new bolts with adhesive.</li> </ul>
Radiator	Dust, dirt and salt deposits on the radiator cause signal attenuation, resulting in loss of sensitivity.	<ul style="list-style-type: none"> <li>• Wipe radiator with a freshwater-moistened cloth.</li> <li>• The radiator is made of AES (Acrylonitrile-Ethylene-Styrene) resin. Therefore, do not use gasoline, benzene and the like to clean the radiator.</li> <li>• If the radiator is iced, use a wooden or plastic headed hammer to remove the ice. DO NOT use a steel hammer.</li> </ul>
Ground connection	Check for tight connection and rust.	<ul style="list-style-type: none"> <li>• Fasten if loosened.</li> <li>• Remove rust if present.</li> </ul>
Check points every year		
	Check the scanner unit for rust, corrosion and chipped paint.	<ul style="list-style-type: none"> <li>• If the scanner unit has rusted or the paint has chipped, paint the affected area.</li> <li>• Paint only the scanner unit. Do not paint the antenna (see figure below). Paint on the antenna can cause loss of sensitivity and crack the antenna.</li> </ul>  <p> <span style="display: inline-block; width: 15px; height: 15px; background-color: #f4a460; border: 1px solid black; margin-right: 5px;"></span> : Do NOT paint.         <span style="display: inline-block; width: 15px; height: 15px; background-color: white; border: 1px solid black; margin-left: 20px; margin-right: 5px;"></span> : Painting area       </p>

### 3.2 Troubleshooting

The table below provides simple troubleshooting procedures to restore normal operation. If you cannot restore normal operation, contact your dealer for advice.

Problem	Remedy
The multi function display cannot control the radar.	<ul style="list-style-type: none"> <li>• Check that all cables are tightly fastened.</li> <li>• Check if the radar source setting is correct.</li> <li>• Check if the fuse of the cable assembly has blown.</li> <li>• Check that the power supply is compatible with the voltage rating of the antenna unit (24 VDC).</li> </ul>
Marks and characters appear, but echoes do not appear.	<ul style="list-style-type: none"> <li>• Check that the antenna cable is tightly fastened.</li> <li>• Check the cables for damage.</li> </ul>
Picture is not updated or the picture freezes.	<ul style="list-style-type: none"> <li>• Check that all cables are tightly fastened.</li> <li>• Check the cables for damage.</li> <li>• If the picture has frozen, reboot the multi function display.</li> </ul>
You tuned the receiver or increased the gain, but radar echoes are too weak.	<ul style="list-style-type: none"> <li>• The magnetron may require replacement. Contact your dealer.</li> </ul>
You changed the range, but the radar picture does not change.	<ul style="list-style-type: none"> <li>• Try to change the range again.</li> <li>• Reboot the multi function display.</li> </ul>
Poor discrimination in range.	<ul style="list-style-type: none"> <li>• Adjust the sea control.</li> </ul>
Range rings are not displayed.	<ul style="list-style-type: none"> <li>• Check if the range rings is turned on in the menu.</li> </ul>
You set the radar in the transmit state. The "TX screen" appears momentarily, but the radar soon goes into stand-by.	<ul style="list-style-type: none"> <li>• The overload protection has activated. To restore normal operation, turn off all equipment in the network. Wait a few seconds then turn on all the equipment.</li> </ul>

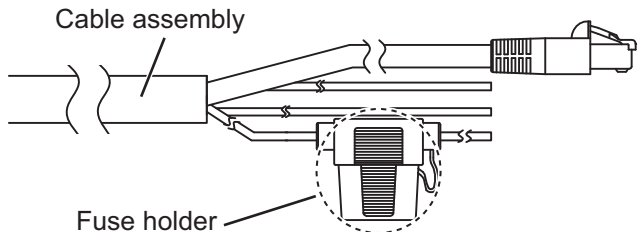
### 3.3 Replacement of Fuse

The fuse protects the antenna unit from overcurrent and equipment fault. If you cannot turn on the power, check the fuse to see if it has blown. If the fuse has blown, find the reason before you replace the fuse. If the fuse blows again after the replacement, contact your dealer.

Name	Type	Code No.	Remarks
Fuse	FRU-2P5S-FU-5A-B	000-168-869-10	5 A fuse For DRS6A X-Class
	ATV10A60V	000-192-660-10	10 A fuse For DRS12A/25A X-Class

**⚠ WARNING**

**⚠ Use the proper fuse.**  
Use of a wrong fuse can cause fire or damage the equipment.



How to replace the fuse  
Open the fuse holder cover and replace the fuse. Then close the cover.

## 3.4 Life of Parts

### Magnetron

When a magnetron reaches the end of its life, target echoes become weak and do not appear on the display. If long-range performance appears to have declined, contact your dealer about replacement of the magnetron.

Name	Type	Code No.	Approx. Life	Remarks
Magnetron	MAF1422B	000-158-788-12	5,000 hours	For DRS6A X-Class
	FNE1201	001-245-890	5,000 hours	For DRS12A X-Class
	MG5436	000-140-762-13	5,000 hours	For DRS25A X-Class

### Antenna Motor

When an antenna motor reaches the end of its life, the antenna's rotation may stop or abnormal noise sounds from the antenna unit. If such symptom occurs, contact your dealer about replacement of the antenna motor.

Name	Type	Code No.	Approx. Life
Antenna Motor	RSB-134 MOTOR	001-436-400	10,000 hours

# APPX. 1 RADIO REGULATORY INFORMATION

## USA-Federal Communications Commission (FCC)

This device complies with part 15 of the FCC Rules. Operation is subject to the following two conditions:

- (1) This device may not cause harmful interference, and
- (2) This device must accept any interference received, including interference that may cause undesired operation. Any changes or modifications not expressly approved by the party responsible for compliance could void the user's authority to operate the equipment.

### **Caution: Exposure to Radio Frequency Radiation**

- This equipment complies with FCC radiation exposure limits set forth for an uncontrolled environment and meets the FCC radio frequency (RF) Exposure Guidelines in Supplement C to OET65.
- This equipment should be installed and operated keeping the radiator away from a person's body at the minimum distances shown in the table below.

Antenna Model	Transceiver Unit	Safety Distance
DRS6A X-Class	RTR-112	300 cm
DRS12A X-Class	RTR-113	310 cm
DRS25A X-Class	RTR-114	770 cm

- This device must not be co-located or operating in conjunction with any other antenna or transmitter.

## Canada-Industry Canada (IC)

This device complies with Industry Canada licence-exempt RSS standard(s). Operation is subject to the following two conditions:

- (1) This device may not cause interference, and
- (2) This device must accept any interference, including interference that may cause undesired operation of this device.

Le présent appareil est conforme aux CNR d'Industrie Canada applicables aux appareils radio exempts de licence. L'exploitation est autorisée aux deux conditions suivantes:

- (1) l'appareil ne doit pas produire de brouillage, et
- (2) l'utilisateur de l'appareil doit accepter tout brouillage radioélectrique subi, même si le brouillage est susceptible d'en compromettre le fonctionnement.

### **Caution: Exposure to Radio Frequency Radiation**

This equipment complies with IC radiation exposure limits set forth for an uncontrolled environment and meets RSS-102 of the IC radio frequency (RF) Exposure rules. This equipment should be installed and operated keeping the radiator away from a person's body at the minimum distances shown in the table below.

Antenna Model	Transceiver Unit	Safety Distance
DRS6A X-Class	RTR-112	300 cm
DRS12A X-Class	RTR-113	310 cm
DRS25A X-Class	RTR-114	770 cm

Cet équipement est conforme aux limites d'exposition aux rayonnements énoncées pour un environnement non contrôlé et respecte les règles d'exposition aux fréquences radioélectriques (RF) CNR-102 de l'IC. Cet équipement doit être installé et utilisé en gardant une distance de 300 cm (DRS6A X-Class (RTR-112)), 310 cm (DRS12A X-Class (RTR-113)), 770 cm (DRS25A X-Class (RTR-114)) ou plus entre le dispositif rayonnant et le corps.

To reduce potential radio interference to other users, the antenna type and its gain should be so chosen that the equivalent isotropically radiated power (EIRP) is not more than that required for successful communication.

**SPECIFICATIONS OF RADAR SENSOR  
DRS6A/12A/25A X-Class**

**1 ANTENNA UNIT**

- 1.1 Antenna type Slotted waveguide array
- 1.2 Antenna length 3.4 ft (XN10A), 4 ft (XN12A), 6 ft (XN13A)  
Radiator type XN10A for DRS6A X-Class only
- 1.3 Horizontal beam width 2.3° (XN10A), 1.9° (XN12A), 1.35° (XN13A)
- 1.4 Vertical beam width 22°
- 1.5 Antenna gain 27.5 dBi (XN10A), 28.0 dBi (XN12A), 29.5 dBi (XN13A)
- 1.6 Polarization Horizontal
- 1.7 Rotation 24/36/48 rpm range coupled or 24 rpm fixed
- 1.8 Relative wind load 70 kn or less

**2 RADAR FUNCTION**

- 2.1 Tx frequency 9410 ±30 MHz
- 2.2 Output power  
DRS6A X-Class 6 kW nominal  
DRS12A X-Class 12 kW nominal  
DRS25A X-Class 25 kW nominal
- 2.3 Duplexer Ferrite circulator with diode limiter
- 2.4 Intermediate frequency 60 MHz
- 2.5 Range, Pulse length and Pulse Repetition Rate (PRR)

Range (NM)	Pulse length (µs)	PRR (Hz. approx.)
0.125 to 0.75	0.08	3000
1 to 1.5	0.15	1500
2	0.3	1000
3 to 4	0.5	600
6 to 8	0.8	600
12 to 64	1.2	600
72 to 96	1.2	550

- 2.6 Minimum range 25 m
- 2.7 Range resolution 20 m
- 2.8 Range accuracy Within 1% of range in use
- 2.9 Bearing resolution 2.3 (XN10A), 1.9° (XN12A), 1.4° (XN13A)
- 2.10 Bearing accuracy Within ±1°
- 2.11 Pre-heating time 90 s approx.
- 2.12 Target tracking (TT) Auto or manual acquisition:  
100 targets between 0.1 NM and 16 NM  
Past position: 5/10 pts on all activated targets  
Vector time: 1 to 60 min.

**3 INTERFACE**

- LAN 1 port, Ethernet, 100Base-TX, RJ45

**4 POWER SUPPLY**

DRS6A X-Class	24 VDC (21.6-31.2 VDC): 4.0 A (stand-by: 0.8 A)
DRS12A X-Class	24 VDC (21.6-31.2 VDC): 4.5 A (stand-by: 1.0 A)
DRS25A X-Class	24 VDC (21.6-31.2 VDC): 5.6 A (stand-by: 1.0 A)

**5 ENVIRONMENTAL CONDITIONS**

5.1 Ambient temperature	-25°C to +55°C (storage: -30°C to +70°C)
5.2 Relative humidity	95% or less at +40°C
5.3 Degree of protection	IP56
5.4 Vibration	IEC 60945 Ed.4

**6 UNIT COLOR**

N9.5

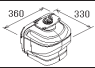



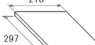


**PACKING LIST**

03HS-X-9851 -3 1/1

RSB-134-112-E

A-1

NAME	UNIT	OUTLINE	DESCRIPTION/CODE No.	Q'TY
空中線本体部 SCANNER UNIT			RSB-134-112 000-029-256-00	1
<b>予備品 SPARE PARTS</b>				
予備品 SPARE PARTS			SP03-19401 001-513-730-00	1
<b>工事材料 INSTALLATION MATERIALS</b>				
工事材料 INSTALLATION MATERIALS			CP03-37101 001-426-290-00	1
<b>図書 DOCUMENT</b>				
レーダーセンサー型紙 RADAR SENSOR TEMPLATE		420 297	C32-02103-* 000-198-927-1*	1
装備要領書 INSTALLATION MANUAL		210 297	IME-36460-* 000-191-085-1*	1

(略図の寸法は、参考値です。 DIMENSIONS IN DRAWING FOR REFERENCE ONLY.)

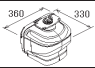



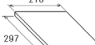
C3646-Z01-D

**PACKING LIST**

03HW-X-9851 -2 1/1

RSB-134-113-E

A-2

NAME	UNIT	OUTLINE	DESCRIPTION/CODE No.	Q'TY
空中線本体部 SCANNER UNIT			RSB-134-113 000-030-454-00	1
<b>予備品 SPARE PARTS</b>				
予備品 SPARE PARTS			SP03-19601 001-514-020-00	1
<b>工事材料 INSTALLATION MATERIALS</b>				
工事材料 INSTALLATION MATERIALS			CP03-37101 001-426-290-00	1
<b>図書 DOCUMENT</b>				
レーダーセンサー型紙 RADAR SENSOR TEMPLATE		420 297	C32-02103-* 000-198-927-1*	1
装備要領書 INSTALLATION MANUAL		210 297	IME-36460-* 000-191-085-1*	1

(略図の寸法は、参考値です。 DIMENSIONS IN DRAWING FOR REFERENCE ONLY.)

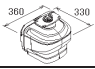



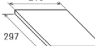
C3647-Z01-C

**PACKING LIST**

03HX-X-9851 -2 1/1

RSB-134-114-E

A-3

NAME	UNIT	OUTLINE	DESCRIPTION/CODE No.	Q'TY
空中線本体部 SCANNER UNIT			RSB-134-114 000-030-486-00	1
<b>予備品 SPARE PARTS</b>				
予備品 SPARE PARTS			SP03-19601 001-514-020-00	1
<b>工事材料 INSTALLATION MATERIALS</b>				
工事材料 INSTALLATION MATERIALS			CP03-37101 001-426-290-00	1
<b>図書 DOCUMENT</b>				
レーダーセンサー型紙 RADAR SENSOR TEMPLATE		420 297	C32-02103-* 000-198-927-1*	1
装備要領書 INSTALLATION MANUAL		210 297	IME-36460-* 000-191-085-1*	1

(略図の寸法は、参考値です。 DIMENSIONS IN DRAWING FOR REFERENCE ONLY.)

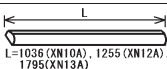

C3648-Z01-C

**PACKING LIST**

19AK-X-9856 -7 1/1

XN10A, XN12A, XN13A, XN12A-N-CKD, XN13A-N-CKD

A-4

NAME	UNIT	OUTLINE	DESCRIPTION/CODE No.	Q'TY
アンテナ ANTENNA		L XN10A/12A/13A L=1036(XN10A), 1255(XN12A), 1795(XN13A)	008-390-960-00 **	1
<b>アンテナ工材 ANTENNA INSTALLATION MATERIALS</b>				
工事材料 INSTALLATION MATERIALS			CP03-22901 008-523-690-00	1

コード番号末尾の[\*\*]は、選択品の代表コードを表します。  
CODE NUMBER ENDING WITH "\*\*" INDICATES THE CODE NUMBER OF REPRESENTATIVE MATERIAL.

型式コード番号が2段の場合、下段より上段に代わる過渡期品であり、どちらが入っています。なお、品質は変わりません。  
TWO TYPES AND CODES MAY BE LISTED FOR AN ITEM. THE LOWER PRODUCT MAY BE SHIPPED IN PLACE OF THE UPPER PRODUCT. QUALITY IS THE SAME.


(略図の寸法は、参考値です。 DIMENSIONS IN DRAWING FOR REFERENCE ONLY.)

C3500-Z01-G



**FURUNO**

CODE NO.	001-458-590-00	03HW-X-9301-0 1/1
TYPE	SP03-18301	BOX NO. P

SHIP NO.		SPARE PARTS LIST FOR		U S E			SETS PER VESSEL
ITEM NO.	NAME OF PART	OUTLINE	DRG. NO. OR TYPE NO.	QUANTITY			REMARKS/CODE NO.
				WORKING PER SET	PER VES	SPARE	
1	E <sub>1</sub> -X <sup>1</sup> BLADE FUSE		ATV10AGOV	1		1	000-192-660-10
MFR'S NAME	FURUNO ELECTRIC CO., LTD.		DRG. NO.	C3647-P01-A		1/1	

(略圖の寸法は、参考値です。 DIMENSIONS IN DRAWING FOR REFERENCE ONLY.)

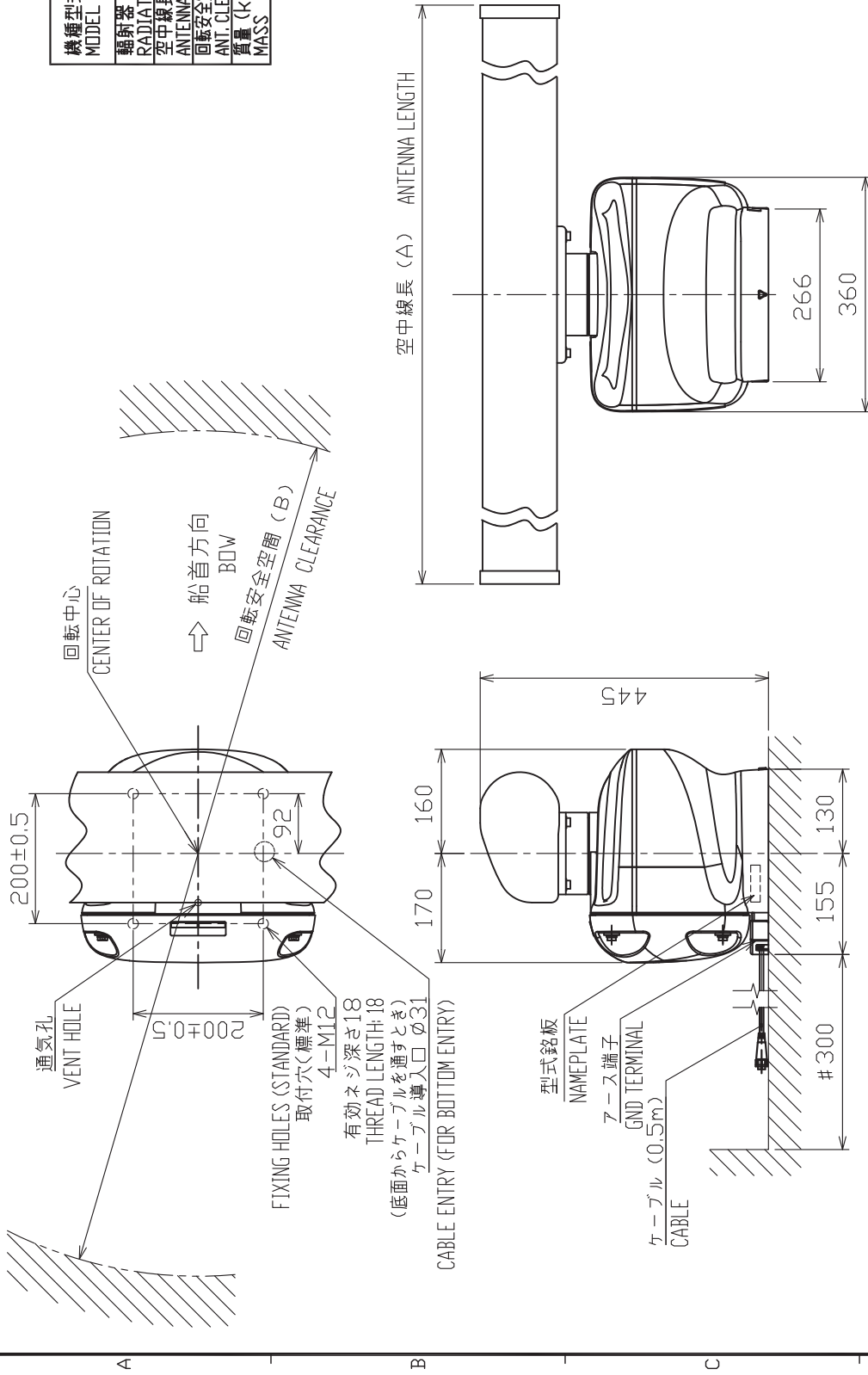
表 2 TABLE 2

機種型式 MODEL	DRS6A X-Class	
放射器 RADIATOR	XN10A*	XN12A
空中線長 (A) ANTENNA LENGTH (mm)	1036±10	1255±10
回転安全空間 (B) ANT. CLEARANCE (mm)	1200	1400
質量 (kg±10%) MASS	20	21
		23

\* : 海外向けのみ

表 1 TABLE 1

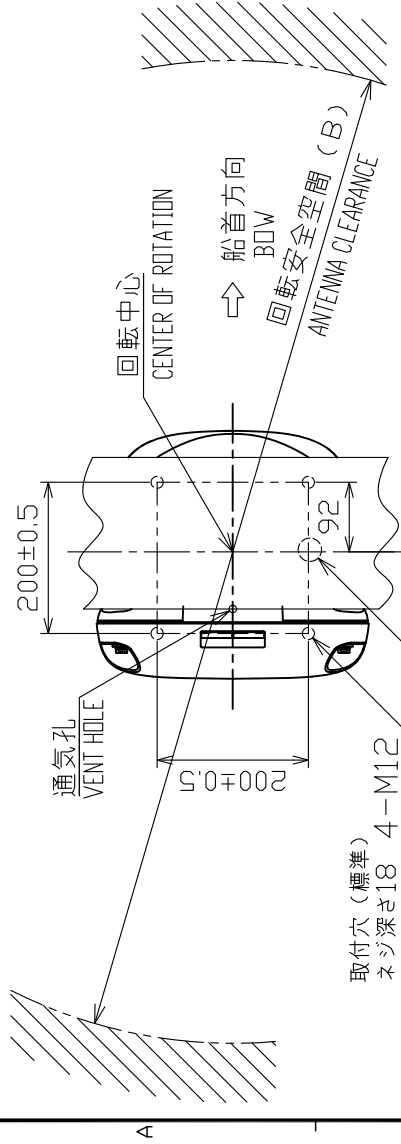
寸法区分 (mm) DIMENSION	公差 (mm) TOLERANCE
$L \leq 50$	±1.5
$50 < L \leq 100$	±2.5
$100 < L \leq 500$	±3
$500 < L \leq 1000$	±4
$1000 < L \leq 2000$	±5



- 注記
- 1) 指定なき寸法公差は表 1 による。
  - 2) # 印寸法は最小サービス空間寸法とする。
  - 3) 取付は M12 のスタッドボルトにて行うこと。
  - 4) 通気孔はふさがらないこと。

- NOTE
1. TABLE 1 INDICATES TOLERANCE OF DIMENSIONS WHICH IS NOT SPECIFIED.
  2. #: MINIMUM SERVICE CLEARANCE.
  3. USE M12 BOLTS FOR FIXING THE UNIT.
  4. DO NOT COVER THE VENT HOLE.

DRAWN	31/JUL/2020	I. YAMASAKI	TITLE	RSB-134
CHECKED	31/JUL/2020	H. MAKI	名称	空中線部
APPROVED	31/AUG/2020	H. MAKI		外寸図
SCALE	1/10	質量 参考 SEE TABLE 2	NAME	ANTENNA UNIT
FIG.No.	C3646-G01-E	REF.No.		OUTLINE DRAWING
				03-189-300G-3



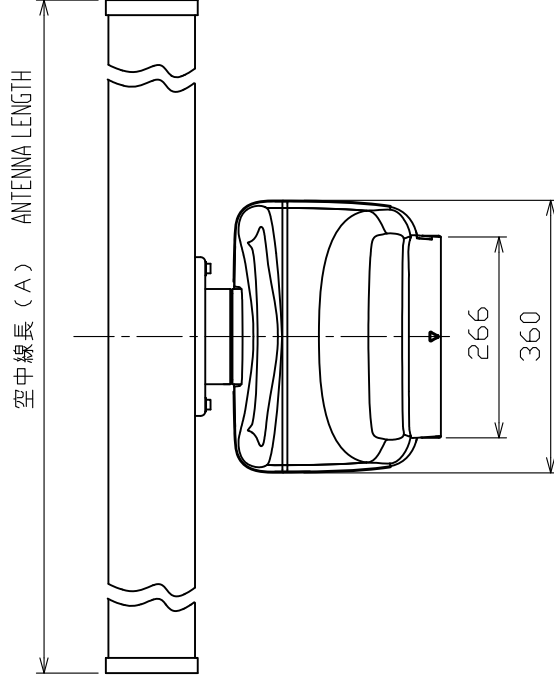
取付穴 (標準)  
ネジ深さ 18 4-M12  
FIXING HOLES (STANDARD)  
THREAD DEPTH: 18

ケーブル導入口 φ31  
(底面からケーブルを通すとき)  
CABLE ENTRY (BOTTOM ENTRY)

型式銘板  
NAMEPLATE

アース端子  
GND TERMINAL

ケーブル (0.5m)  
CABLE



空中線長 (A) ANTENNA LENGTH

表 2 TABLE 2

機种名 RADIATOR 空中線長 ANTENNA LENGTH (mm)	XN12A 1255±10	XN13A 1795±10
回転安全空間 (B) ANTENNA CLEARANCE (mm)	1400	1940
質量 (kg±10%) MASS	22	24

表 1 TABLE 1

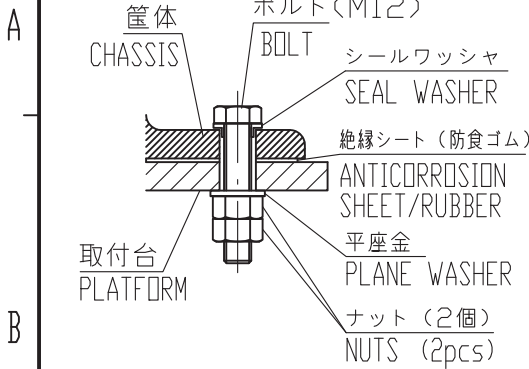
寸法区分 (mm) DIMENSION	公差 (mm) TOLERANCE
$L \leq 50$	$\pm 1.5$
$50 < L \leq 100$	$\pm 2.5$
$100 < L \leq 500$	$\pm 3$
$500 < L \leq 1000$	$\pm 4$
$1000 < L \leq 2000$	$\pm 5$

- 注記
- 1) 指定なき寸法公差は表 1 による。
  - 2) # 印寸法は最小サービスマン空間寸法とする。
  - 3) 取付は M12 ボルトを使用すること。
  - 4) 通気孔は塞がないこと。

- NOTE
1. TABLE 1 INDICATES TOLERANCE OF DIMENSIONS WHICH IS NOT SPECIFIED.
  2. # MINIMUM SERVICE CLEARANCE.
  3. USE M12 BOLTS FOR FIXING THE UNIT.
  4. DO NOT COVER THE VENT HOLE.

DRAWN 4/Feb/2021 I.YAMASAKI	TITLE RSB-134
CHECKED 4/Feb/2021 H.MAKI	名称 空中線部
APPROVED 4/Feb/2021 H.MAKI	外寸図 ANTENNA UNIT
SCALE 1/10	標準 2 番限 JIS S50A X-Class
DWG.No. C3648-501-B	REF.No. 03-189-320G-2

(1) 取付ボルトのダブルナット締付手順  
PROCEDURE OF DOUBLE NUTS FASTENING TO A BOLT



締付方法 FASTENING METHOD

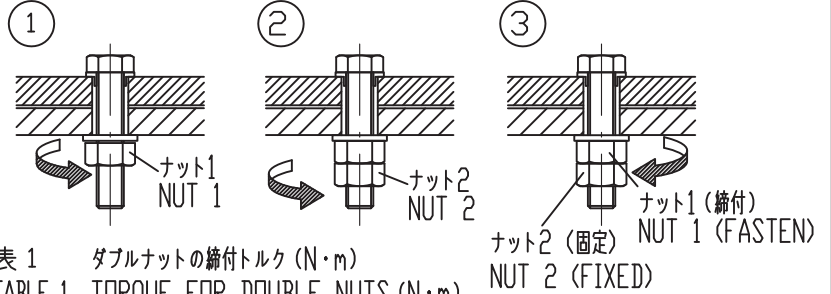
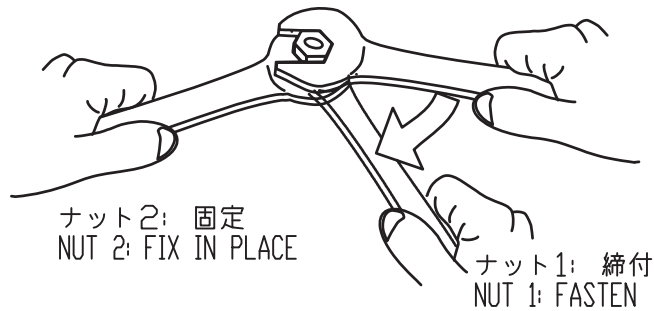


表1 ダブルナットの締付トルク (N・m)  
TABLE 1 TORQUE FOR DOUBLE NUTS (N・m)

空中線部 ANT. UNIT		標準 STANDARD	RSB-098/099/100/ 101/102/132/144
ナット NUT	1	57	74
	2	49	63.5

ナット1とナット2は、右図の通り同時に締め付けます。このとき、どちらのナットにも200mm程度のスパナを使用してください。

FASTEN THE DOUBLE NUTS AS SHOWN IN THE FIGURE TO THE RIGHT. USE SPANNERS WITH A LENGTH OF APPROX. 200 mm.



(2) 防水シールの例  
EXAMPLE FOR SEALING BOLTS/NUTS



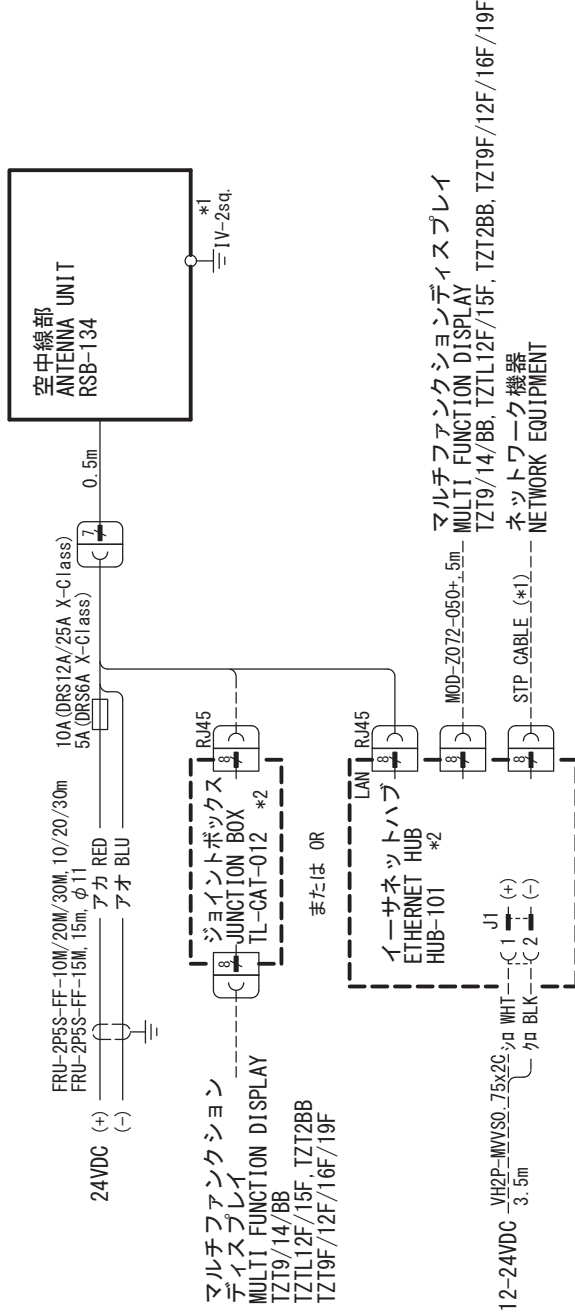
注記

- 1) 取付ボルト、ナットには、図示(2)のようにシール剤を塗布すること。
- 2) 空中線部本体は、底面に外部との圧力調整機能がありますので、装備面の周囲にはシリコンを塗布しないでください。

NOTE

1. APPLY SILICONE SEALANT ONTO FIXING BOLT/NUT AS FIGURE (2).
2. DO NOT APPLY SILICONE SEALANT AROUND THE ANTENNA BASE BECAUSE IT HAS A FUNCTION FOR PRESSURE BALANCE WITH OUTER ENVIRONMENT.

DRAWN	25/Mar/2021	T.YAMASAKI	TITLE	RADAR OPEN ANTENNA
CHECKED	25/Mar/2021	H.MAKI	名称	レーダーオープンアンテナ (締付トルク)
APPROVED	25/Mar/2021	H.MAKI		装備要領図
SCALE	-	MASS ±10% kg	NAME	TORQUE FOR FASTENING
DWG. No.	C3900-Y01-A		REF. No.	INSTALLATION PROCEDURE



注記

- \* 1) 造船所手配。
- \* 2) オプション。

NOTE

- \*1: SHIPYARD SUPPLY.
- \*2: OPTION.

DRAWN	6/Jan/2021	T. YAMASAKI	TITLE	DRS6A/12A/25A X-Class
CHECKED	6/Jan/2021	H. MAKI	名称	レーダーセンサー
APPROVED	8/Jan/2021	H. MAKI	相互結線図	
SCALE	MASS	kg	NAME	RADAR SENSOR
DWG. No.	C3646-C01-C	REF. No.	03-189-6011-3	INTERCONNECTION DIAGRAM

# FURUNO Worldwide Warranty for Pleasure Boats (Except North America)

This warranty is valid for products manufactured by Furuno Electric Co. (hereafter FURUNO) and installed on a pleasure boat. Any web based purchases that are imported into other countries by anyone other than a FURUNO certified dealer may not comply with local standards. FURUNO strongly recommends against importing these products from international websites as the imported product may not work correctly and may interfere with other electronic devices. The imported product may also be in breach of the local laws and mandated technical requirements. Products imported into other countries as described previously shall not be eligible for local warranty service.

For products purchased outside of your country please contact the national distributor of Furuno products in the country where purchased.

This warranty is in addition to the customer's statutory legal rights.

## 1. Terms and Conditions of Warranty

FURUNO guarantees that each new FURUNO product is the result of quality materials and workmanship. The warranty is valid for a period of 2 years (24 months) from the date of the invoice, or the date of commissioning of the product by the installing certified dealer.

## 2. FURUNO Standard Warranty

The FURUNO standard warranty covers spare parts and labour costs associated with a warranty claim, provided that the product is returned to a FURUNO national distributor by prepaid carrier.

The FURUNO standard warranty includes:

- Repair at a FURUNO national distributor
- All spare parts for the repair
- Cost for economical shipment to customer

## 3. FURUNO Onboard Warranty

If the product was installed/commissioned and registered by a certified FURUNO dealer, the customer has the right to the onboard warranty.

The FURUNO onboard warranty includes

- Free shipping of the necessary parts
- Labour: Normal working hours only
- Travel time: Up to a maximum of two (2) hours
- Travel distance: Up to a maximum of one hundred and sixty (160) KM by car for the complete journey

## 4. Warranty Registration

For the Standard Warranty - presentation of product with serial number (8 digits serial number, 1234-5678) is sufficient. Otherwise, the invoice with serial number, name and stamp of the dealer and date of purchase is shown.

For the Onboard Warranty your FURUNO certified dealer will take care of all registrations.

## 5. Warranty Claims

For the Standard Warranty - simply send the defective product together with the invoice to a FURUNO national distributor. For the Onboard Warranty – contact a FURUNO national distributor or a certified dealer. Give the product's serial number and describe the problem as accurately as possible.

Warranty repairs carried out by companies/persons other than a FURUNO national distributor or a certified dealer is not covered by this warranty.

## 6. Warranty Limitations

When a claim is made, FURUNO has a right to choose whether to repair the product or replace it.

The FURUNO warranty is only valid if the product was correctly installed and used. Therefore, it is necessary for the customer to comply with the instructions in the handbook. Problems which result from not complying with the instruction manual are not covered by the warranty.

FURUNO is not liable for any damage caused to the vessel by using a FURUNO product.

The following are excluded from this warranty:

- a. Second-hand product
- b. Underwater unit such as transducer and hull unit
- c. Routine maintenance, alignment and calibration services.
- d. Replacement of consumable parts such as fuses, lamps, recording papers, drive belts, cables, protective covers and batteries.
- e. Magnetron and MIC with more than 1000 transmitting hours or older than 12 months, whichever comes first.
- f. Costs associated with the replacement of a transducer (e.g. Crane, docking or diver etc.).
- g. Sea trial, test and evaluation or other demonstrations.
- h. Products repaired or altered by anyone other than the FURUNO national distributor or an authorized dealer.
- i. Products on which the serial number is altered, defaced or removed.
- j. Problems resulting from an accident, negligence, misuse, improper installation, vandalism or water penetration.
- k. Damage resulting from a force majeure or other natural catastrophe or calamity.
- l. Damage from shipping or transit.
- m. Software updates, except when deemed necessary and warrantable by FURUNO.
- n. Overtime, extra labour outside of normal hours such as weekend/holiday, and travel costs above the 160 KM allowance
- o. Operator familiarization and orientation.

FURUNO Electric Company, March 1, 2011



## FURUNO Warranty for North America

FURUNO U.S.A., Limited Warranty provides a twenty-four (24) months LABOR and twenty-four (24) months PARTS warranty on products from the date of installation or purchase by the original owner. Products or components that are represented as being waterproof are guaranteed to be waterproof only for, and within the limits, of the warranty period stated above. The warranty start date may not exceed eighteen (18) months from the original date of purchase by dealer from Furuno USA and applies to new equipment installed and operated in accordance with Furuno USA's published instructions.

Magnetrons and Microwave devices will be warranted for a period of 12 months from date of original equipment installation.

Furuno U.S.A., Inc. warrants each new product to be of sound material and workmanship and through its authorized dealer will exchange any parts proven to be defective in material or workmanship under normal use at no charge for a period of 24 months from the date of installation or purchase.

Furuno U.S.A., Inc., through an authorized Furuno dealer will provide labor at no cost to replace defective parts, exclusive of routine maintenance or normal adjustments, for a period of 24 months from installation date provided the work is done by Furuno U.S.A., Inc. or an AUTHORIZED Furuno dealer during normal shop hours and within a radius of 50 miles of the shop location.

A suitable proof of purchase showing date of purchase, or installation certification must be available to Furuno U.S.A., Inc., or its authorized dealer at the time of request for warranty service.

This warranty is valid for installation of products manufactured by Furuno Electric Co. (hereafter FURUNO). Any purchases from brick and mortar or web-based resellers that are imported into other countries by anyone other than a FURUNO certified dealer, agent or subsidiary may not comply with local standards. FURUNO strongly recommends against importing these products from international websites or other resellers, as the imported product may not work correctly and may interfere with other electronic devices. The imported product may also be in breach of the local laws and mandated technical requirements. Products imported into other countries, as described previously, shall not be eligible for local warranty service.

For products purchased outside of your country please contact the national distributor of Furuno products in the country where purchased.

### WARRANTY REGISTRATION AND INFORMATION

To register your product for warranty, as well as see the complete warranty guidelines and limitations, please visit [www.furunousa.com](http://www.furunousa.com) and click on "Support". In order to expedite repairs, warranty service on Furuno equipment is provided through its authorized dealer network. If this is not possible or practical, please contact Furuno U.S.A., Inc. to arrange warranty service.

FURUNO U.S.A., INC.  
**Attention: Service Coordinator**  
4400 N.W. Pacific Rim Boulevard  
Camas, WA 98607-9408  
Telephone: (360) 834-9300  
FAX: (360) 834-9400

Furuno U.S.A., Inc. is proud to supply you with the highest quality in Marine Electronics. We know you had several choices when making your selection of equipment, and from everyone at Furuno we thank you. Furuno takes great pride in customer service.

## **Declaration of Conformity** **[DRS6A X-Class/DRS12A X-Class/DRS25A X-Class]**

Bulgarian (BG)	<p>С настоящото Furuno Electric Co., Ltd. декларира, че гореспоменат тип радиосъоръжение е в съответствие с Директива 2014/53/ЕС. Цялостният текст на ЕС декларацията за съответствие може да се намери на следния интернет адрес:</p>
Spanish (ES)	<p>Por la presente, Furuno Electric Co., Ltd. declara que el tipo de equipo radioeléctrico arriba mencionado es conforme con la Directiva 2014/53/UE. El texto completo de la declaración UE de conformidad está disponible en la dirección Internet siguiente:</p>
Czech (CS)	<p>Tímto Furuno Electric Co., Ltd. prohlašuje, že výše zmíněné typ rádiového zařízení je v souladu se směrnicí 2014/53/EU. Úplné znění EU prohlášení o shodě je k dispozici na této internetové adrese:</p>
Danish (DA)	<p>Hermed erklærer Furuno Electric Co., Ltd., at ovennævnte radioudstyr er i overensstemmelse med direktiv 2014/53/EU. EU-overensstemmelseserklæringens fulde tekst kan findes på følgende internetadresse:</p>
German (DE)	<p>Hiermit erkläre die Furuno Electric Co., Ltd., dass der oben genannte Funkanlagentyp der Richtlinie 2014/53/EU entspricht. Der vollständige Text der EU-Konformitätserklärung ist unter der folgenden Internetadresse verfügbar:</p>
Estonian (ET)	<p>Käesolevaga deklareerib Furuno Electric Co., Ltd., et ülalmainitud raadioseadme tüüp vastab direktiivi 2014/53/EL nõuetele. ELi vastavusdeklaratsiooni täielik tekst on kättesaadav järgmisel internetiaadressil:</p>
Greek (EL)	<p>Με την παρούσα η Furuno Electric Co., Ltd., δηλώνει ότι ο προαναφερθέντας ραδιοεξοπλισμός πληροί την οδηγία 2014/53/ΕΕ. Το πλήρες κείμενο της δήλωσης συμμόρφωσης ΕΕ διατίθεται στην ακόλουθη ιστοσελίδα στο διαδίκτυο:</p>
English (EN)	<p>Hereby, Furuno Electric Co., Ltd. declares that the above-mentioned radio equipment type is in compliance with Directive 2014/53/EU. The full text of the EU declaration of conformity is available at the following internet address:</p>
French (FR)	<p>Le soussigné, Furuno Electric Co., Ltd., déclare que l'équipement radioélectrique du type mentionné ci-dessus est conforme à la directive 2014/53/UE. Le texte complet de la déclaration UE de conformité est disponible à l'adresse internet suivante:</p>
Croatian (HR)	<p>Furuno Electric Co., Ltd. ovime izjavljuje da je gore rečeno radijska oprema tipa u skladu s Direktivom 2014/53/EU. Cjeloviti tekst EU izjave o sukladnosti dostupan je na sljedećoj internetskoj adresi:</p>
Italian (IT)	<p>Il fabbricante, Furuno Electric Co., Ltd., dichiara che il tipo di apparecchiatura radio menzionato sopra è conforme alla direttiva 2014/53/UE. Il testo completo della dichiarazione di conformità UE è disponibile al seguente indirizzo Internet:</p>
Latvian (LV)	<p>Ar šo Furuno Electric Co., Ltd. deklarē, ka augstāk minēts radioiekārta atbilst Direktīvai 2014/53/ES. Pilns ES atbilstības deklarācijas teksts ir pieejams šādā interneta vietnē:</p>

- Lithuanian (LT) Aš, Furuno Electric Co., Ltd., patvirtinu, kad pirmiau minėta radijo įrenginių tipas atitinka Direktyvą 2014/53/ES.  
Visas ES atitikties deklaracijos tekstas prieinamas šiuo interneto adresu:
- Hungarian (HU) Furuno Electric Co., Ltd. igazolja, hogy fent említett típusú rádióberendezés megfelel a 2014/53/EU irányelvnek.  
Az EU-megfelelőségi nyilatkozat teljes szövege elérhető a következő internetes címen:
- Maltese (MT) B'dan, Furuno Electric Co., Ltd., niddikjara li msemmija hawn fuq-tip ta' taghmir tar-radju huwa konformi mad-Direttiva 2014/53/UE.  
It-test kollu tad-dikjarazzjoni ta' konformità tal-UE huwa disponibbli f'dan l-indirizz tal-Internet li ġej:
- Dutch (NL) Hierbij verklaar ik, Furuno Electric Co., Ltd., dat het hierboven genoemde type radioapparaat conform is met Richtlijn 2014/53/EU.  
De volledige tekst van de EU-conformiteitsverklaring kan worden geraadpleegd op het volgende internetadres:
- Polish (PL) Furuno Electric Co., Ltd. niniejszym oświadcza, że wyżej wymieniony typ urządzenia radiowego jest zgodny z dyrektywą 2014/53/UE.  
Pełny tekst deklaracji zgodności UE jest dostępny pod następującym adresem internetowym:
- Portuguese (PT) O(a) abaixo assinado(a) Furuno Electric Co., Ltd. declara que o mencionado acima tipo de equipamento de rádio está em conformidade com a Diretiva 2014/53/UE.  
O texto integral da declaração de conformidade está disponível no seguinte endereço de Internet:
- Romanian (RO) Prin prezenta, Furuno Electric Co., Ltd. declară că menționat mai sus tipul de echipamente radio este în conformitate cu Directiva 2014/53/UE.  
Textul integral al declarației UE de conformitate este disponibil la următoarea adresă internet:
- Slovak (SK) Furuno Electric Co., Ltd. týmto vyhlasuje, že vyššie spomínané rádiové zariadenie typu je v súlade so smernicou 2014/53/EÚ.  
Úplné EÚ vyhlásenie o zhode je k dispozícii na tejto internetovej adrese:
- Slovenian (SL) Furuno Electric Co., Ltd. potrjuje, da je zgoraj omenjeno tip radijske opreme skladen z Direktivo 2014/53/EU.  
Celotno besedilo izjave EU o skladnosti je na voljo na naslednjem spletnem naslovu:
- Finnish (FI) Furuno Electric Co., Ltd. vakuuttaa, että yllä mainittu radiolaitetyyppi on direktiivin 2014/53/EU mukainen.  
EU-vaatimustenmukaisuusvakuutuksen täysimittainen teksti on saatavilla seuraavassa internetosoitteessa:
- Swedish (SV) Härmed försäkrar Furuno Electric Co., Ltd. att ovan nämnda typ av radioutrustning överensstämmer med direktiv 2014/53/EU.  
Den fullständiga texten till EU-försäkran om överensstämmelse finns på följande webbadress:

#### Online Resource

[http://www.furuno.com/en/support/red\\_doc](http://www.furuno.com/en/support/red_doc)

#### **Notice for radiated immunity**

**The test for the radiated immunity is performed up to 2.7 GHz only without the special condition of spot frequency being applied. There is a chance that this equipment may interfere with allocated services in the frequency range of 2.7 GHz to 6 GHz, particularly in harbors, rivers, lake banks, etc.**

**FURUNO ELECTRIC CO., LTD.**

9-52 Ashihara-cho,  
Nishinomiya, 662-8580, JAPAN

• FURUNO Authorized Distributor/Dealer

All rights reserved. Printed in Japan

Pub. No. IME-36460-F2

(TEHI ) DRS6A\_X-Class

A : DEC. 2015  
F2 : OCT. 31, 2022



0 0 0 1 9 1 0 8 5 1 5