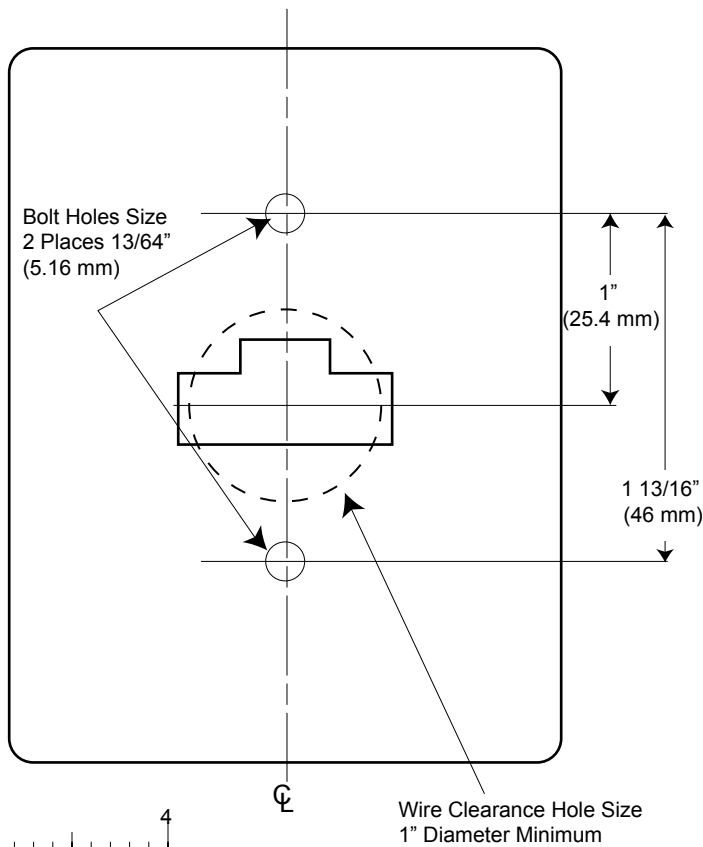




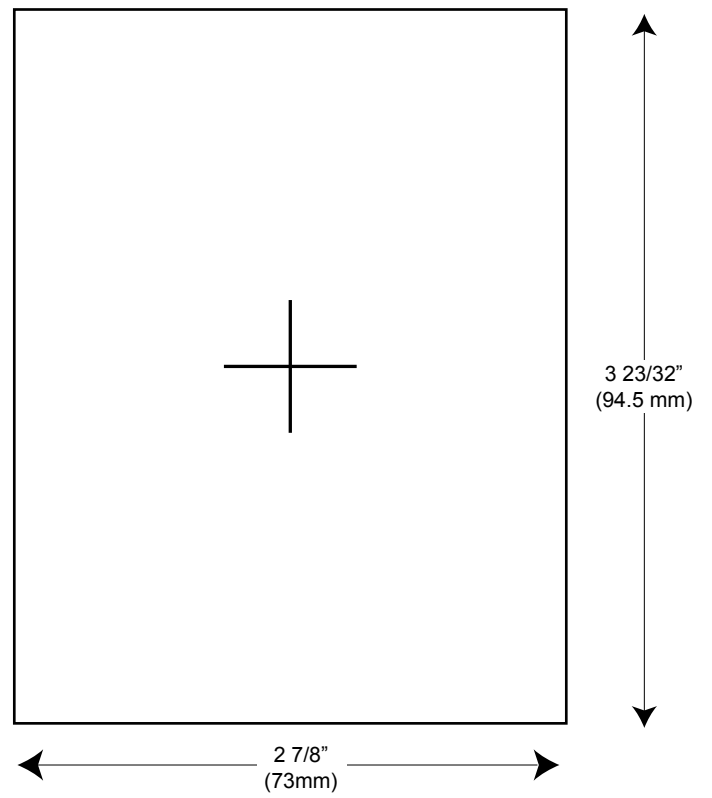
5757 Ravenswood Road
 Ft. Lauderdale, FL 33312
 +1 (954) 981-3333 Fax +1 (954) 983-5087
 www.acrartex.com
 info@acrartex.com

RCL-300A
 Remote Control Searchlight System
 Mounting Templates
 Y1-03-0232-1 Rev. B

**URP-102 Point Pad
 Surface Mount Template**



**URP-102 Point Pad
 Flush Mount Template**
 Use U-Clamp to secure
 control switch



SCALE 1=1 (in.)
 1=25.4 (mm)



Please Note: If mounting template is obtained from the ACR website, any electronic media, or from a photocopy, please verify the dimensions of the scale shown with actual measuring device. Duplicate templates may not be of true 1:1 scale. Any deviation should be considered when using mounting template.

